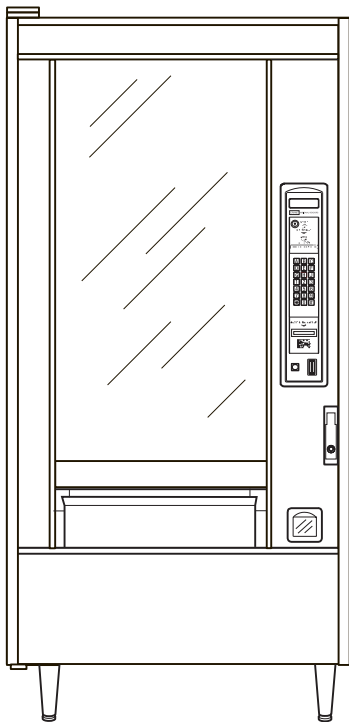
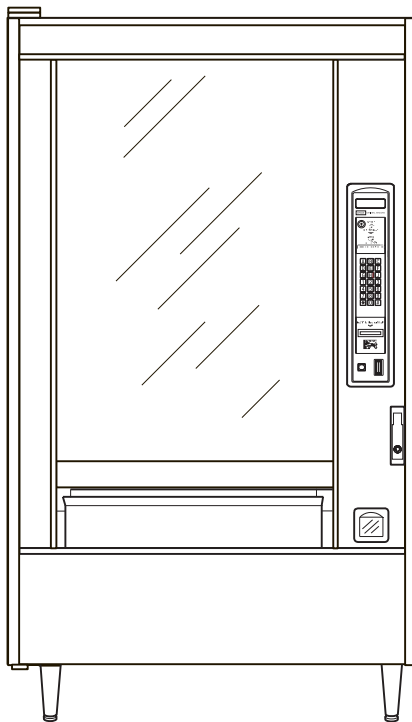


# ***Snack/Refreshment Center 2***



168, 268, 765



167, 267, 764



784, 787

## **PARTS MANUAL**

**CRANE**

MERCHANDISING SYSTEMS A Crane Co. Company

**NATIONAL VENDORS**

12955 Enterprise Way

Bridgeton, Missouri 63044-1200

(314) 298-3500

[www.nationalvendors.com](http://www.nationalvendors.com)

Copyright© 6-00



# LIST OF FIGURES

Figure.....	Page
1. Model Identification.....	1
1. Common Cabinet (Part 1).....	2
2. Common Cabinet (Part 2).....	6
4. Power Panel Assembly - 120 V - Dumb Coin.....	10
5. Power Panel Assembly - Models 167 & 168 - U.K.....	12
6. Power Panel Assembly - Models 764, 765, & 787 - U.K.....	14
7. Power Panel Assembly - 230 V - Fr/Ger.....	16
8. Monetary Panel Assembly (Part 1 of 4).....	18
9. Monetary Panel Assembly (Part 2 of 4).....	20
10. Monetary Panel Assembly (Part 3 of 4).....	22
11. Monetary Panel Assembly (Part 4 of 4) - Millennia Styling.....	24
12. Card Reader and Bill Validator Combinations.....	26
13. Candy Tray Assembly (Part 1 of 2).....	30
14. Candy Tray Assembly (Part 2 of 2).....	32
15. Snack Tray Assembly (Part 1 of 2).....	34
16. Snack Tray Assembly (Part 2 of 2).....	36
17. Gum and Mint Tray Assembly (Part 1 of 2).....	38
18. Gum and Mint Tray Assembly (Part 2 of 2).....	40
19. Cigarette Tray Assembly (Part 1 of 2).....	42
20. Cigarette Tray Assembly (Part 2 of 2).....	44
21. Base Plate Assembly (Standard Shown).....	46
22. Door Assembly (Imperial Crown and Signature Styling).....	48
23. Common Trim and Panel Components.....	50
24. Door Assembly (Millennia Styling).....	58
25. Door Glass and Glass Retaining Components (Millennia Styling).....	60
26. Horizontal Trim and Glass Channel Assembly (Millennia Styling).....	62
27. Common Trim and Panel Components - Millennia Styling (Part 1 of 2).....	64
28. Common Trim and Panel Components - Millennia Styling (Part 2 of 2).....	66
29. Coin Receptacle Assembly.....	68
30. Light Assembly - Upper Door.....	70
31. Door Assembly - Models 784, 787 With Refrig/Frozen Food Module.....	72
32. Fluorescent Side Light Assembly.....	74
33. Door Lock and Handle Assembly (Imperial Crown and Signature Styles).....	76
34. Door Lock and Handle Assembly (Millennia Style).....	78
35. Gum and Mint Assembly (Part 1).....	80
36. Gum and Mint Assembly (Part 2).....	82
37. Gum and Mint Assembly (Part 3).....	84
38. Delivery Pan Assembly.....	86
39. Delivery Pan Latch Mechanism - Part 1 of 2 (Food Module Equipped Machines Only).....	88
40. Delivery Pan Latch Mechanism - Part 2 of 2 (Food Module Equipped Machines Only).....	90
41. Leg, Leveler, and Leg and Hinge Assemblies.....	92
43. Can and Refrigeration Module.....	94
46. Motor and Ejector Mounting Channel Assembly.....	98
47. Can Unit Frame Assembly.....	100
48. Can Unit Frame Assembly (Australia).....	102
49. Can Compartment Assembly.....	104
50. Can Compartment Assembly (Australia).....	106
51. Refrigeration Module - Chilled Snack.....	108
52. Refrigerated Food Module and Housing Assembly.....	110
53. Major Components - Refrigerated Food Module.....	112
56. Food Module Door Frame Assembly.....	116

# Snack / Refreshment Center 2 Parts Manual

Figure .....	Page
57. Refrigerated and Frozen Food Module - Interior View (Part 1 of 2) .....	118
58. Refrigerated and Frozen Food Module - Interior View (Part 2 of 2) .....	120
59. General Tray Assemblies - Refrigerated Food Module.....	122
60. Pusher Module Assembly .....	124
61. Belt Module Assembly .....	126
62. Spiral Module Assembly .....	128
63. Door Assembly - Refrigerated Food Module .....	130
64. Left Hand Drive Arm Assembly.....	132
65. Right Hand Drive Arm Assembly .....	134
66. Motor Mounting Bracket Assembly .....	136
67. Frozen Food Module and Housing Assembly.....	138
68. Major Components - Frozen Food Module .....	140
69. Door Assembly - Frozen Food Module.....	142
90. Wiring Diagram (Part 1).....	166
91. Wiring Diagram (Part 2).....	167

# LIST OF TABLES

TABLE.....	PAGE.....
1. Common Cabinet (Part 1) .....	3
2. Common Cabinet (Part 2) .....	7
3. Cabinet Insulation for Chilled Snack or Chilled RC-2 .....	9
4. Power Panel Assembly - 120 V - Dumb Coin .....	11
5. Power Panel Assembly - Models 167 & 168 - U.K. ....	13
6. Power Panel Assembly - Models 764, 765, & 787 - U.K. ....	15
7. Power Panel Assembly - 230 V - Fr/Ger .....	17
8. Monetary Panel Assembly (Part 1 of 4) .....	19
9. Monetary Panel Assembly (Part 2 of 4) .....	21
10. Monetary Panel Assembly (Part 3 of 4) .....	23
11. Monetary Panel Assembly (Part 4 of 4) - Millennia Styling .....	25
12. Card Reader and Bill Validator Combinations .....	27
13. Candy Tray Assembly (Part 1 of 2) .....	31
14. Candy Tray Assembly (Part 2 of 2) .....	33
15. Snack Tray Assembly (Part 1 of 2) .....	35
16. Snack Tray Assembly (Part 2 of 2) .....	37
17. Gum and Mint Tray Assembly (Part 1 of 2) .....	39
18. Gum and Mint Tray Assembly (Part 2 of 2) .....	41
19. Cigarette Tray Assembly (Part 1 of 2) .....	43
20. Cigarette Tray Assembly (Part 2 of 2) .....	45
21. Base Plate Assembly (Standard Shown) .....	47
22. Door Assembly (Imperial Crown and Signature Styling) .....	49
23. Common Trim and Panel Components .....	51
24. Door Assembly (Millennia Styling) .....	59
25. Door Glass and Glass Retaining Components (Millennia Styling) .....	61
26. Horizontal Trim and Glass Channel Assembly (Millennia Styling) .....	63
27. Common Trim and Panel Components - Millennia Styling (Part 1 of 2) .....	65
28. Common Trim and Panel Components - Millennia Styling (Part 2 of 2) .....	67
29. Coin Receptacle Assembly .....	69
30. Light Assembly - Upper Door .....	71
31. Door Assembly - Models 784, 787 With Refrig/Frozen Food Module .....	73
32. Fluorescent Side Light Assembly .....	75
33. Door Lock and Handle Assembly (Imperial Crown and Signature Styles) .....	77
34. Door Lock and Handle Assembly (Millennia Style) .....	79
35. Gum and Mint Assembly (Part 1) .....	81
36. Gum and Mint Assembly (Part 2) .....	83
37. Gum and Mint Assembly (Part 3) .....	85
38. Delivery Pan Assembly .....	87
39. Delivery Pan Latch Mechanism - Part 1 of 2 (Food Module Equipped Machines Only) ....	89
40. Delivery Pan Latch Mechanism - Part 2 of 2 (Food Module Equipped Machines Only) ....	91
41. Leg, Leveler, and Leg and Hinge Assemblies .....	93
43. Can and Refrigeration Module .....	95
43. Refrigeration Module Assembly - Can (110V) - No Chill .....	96

# Snack / Refreshment Center 2 Parts Manual

TABLE .....	PAGE
44. Refrigeration Module Assembly - Can (230 V) - Chilled .....	97
46. Motor and Ejector Mounting Channel Assembly .....	99
47. Can Unit Frame Assembly .....	101
48. Can Unit Frame Assembly (Australia) .....	103
49. Can Compartment Assembly .....	105
50. Can Compartment Assembly (Australia) .....	107
51. Refrigeration Module - Chilled Snack .....	109
52. Refrigerated Food Module and Housing Assembly .....	111
53. Major Components - Refrigerated Food Module .....	113
54. Refrigeration Module Assembly - Food (110V) .....	114
55. Refrigeration Module Assembly - Food (230 V) .....	115
56. Food Module Door Frame Assembly .....	117
57. Refrigerated and Frozen Food Module - Interior View (Part 1 of 2) .....	119
58. Refrigerated and Frozen Food Module - Interior View (Part 2 of 2) .....	121
59. General Tray Assemblies - Refrigerated Food Module .....	123
60. Pusher Module Assembly .....	125
61. Belt Module Assembly .....	127
62. Spiral Module Assembly .....	129
63. Door Assembly - Refrigerated Food Module .....	131
64. Left Hand Drive Arm Assembly .....	133
65. Right Hand Drive Arm Assembly .....	135
66. Motor Mounting Bracket Assembly .....	137
67. Frozen Food Module and Housing Assembly .....	139
68. Major Components - Frozen Food Module .....	141
69. Door Assembly - Frozen Food Module .....	143
69. refrigeration unit components (part 1) .....	144
69. refrigeration unit components (part 2) .....	145
70. Bag Assembly B1670005 .....	146
70. Bag Assembly B1670006 .....	147
71. Bag Assembly B1570006 .....	147
72. Bag Assembly B1670007 .....	148
73. Bag Assembly B2570002 .....	148
74. Bag Assembly B7640005 .....	149
75. Bag Assembly B7640006 .....	150
76. Bag Assembly B4640000 .....	150
77. Bag Assembly B7640002 .....	151
78. Bag Assembly B7870002 .....	152
79. Bag Assembly B4840006 .....	153
80. Bag Assembly B4870000 .....	154
81. Bag Assembly B7870000 .....	154
82. Bag Assembly B4870001 .....	155
83. Bag Assembly B7870001 .....	155
84. Bag Assembly B1680001 .....	156
85. Bag Assembly B1680003 .....	157
86. Bag Assembly B4840009 .....	158

# Snack / Refreshment Center 2 Parts Manual

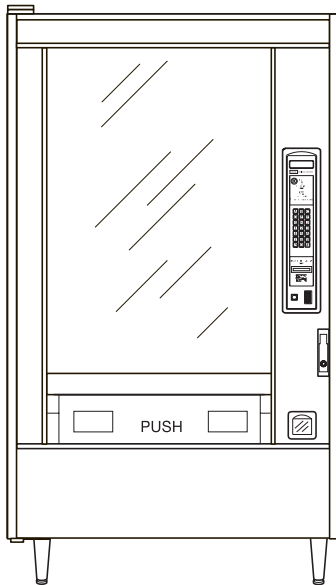
TABLE .....		PAGE
87	Bag Assembly B4850000 .....	159
88	Bag Assembly B4850004 .....	160
89	Bag Assembly B7640004 .....	161
89.	Wire Harnesses .....	162

# Snack / Refreshment Center 2 Parts Manual

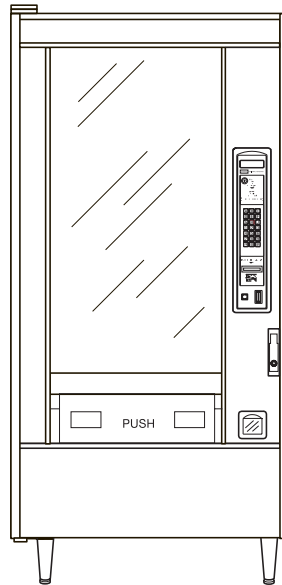
TABLE ..... PAGE



# Snack / Refreshment Center 2 Parts Manual



167  
267  
764



168  
268  
765

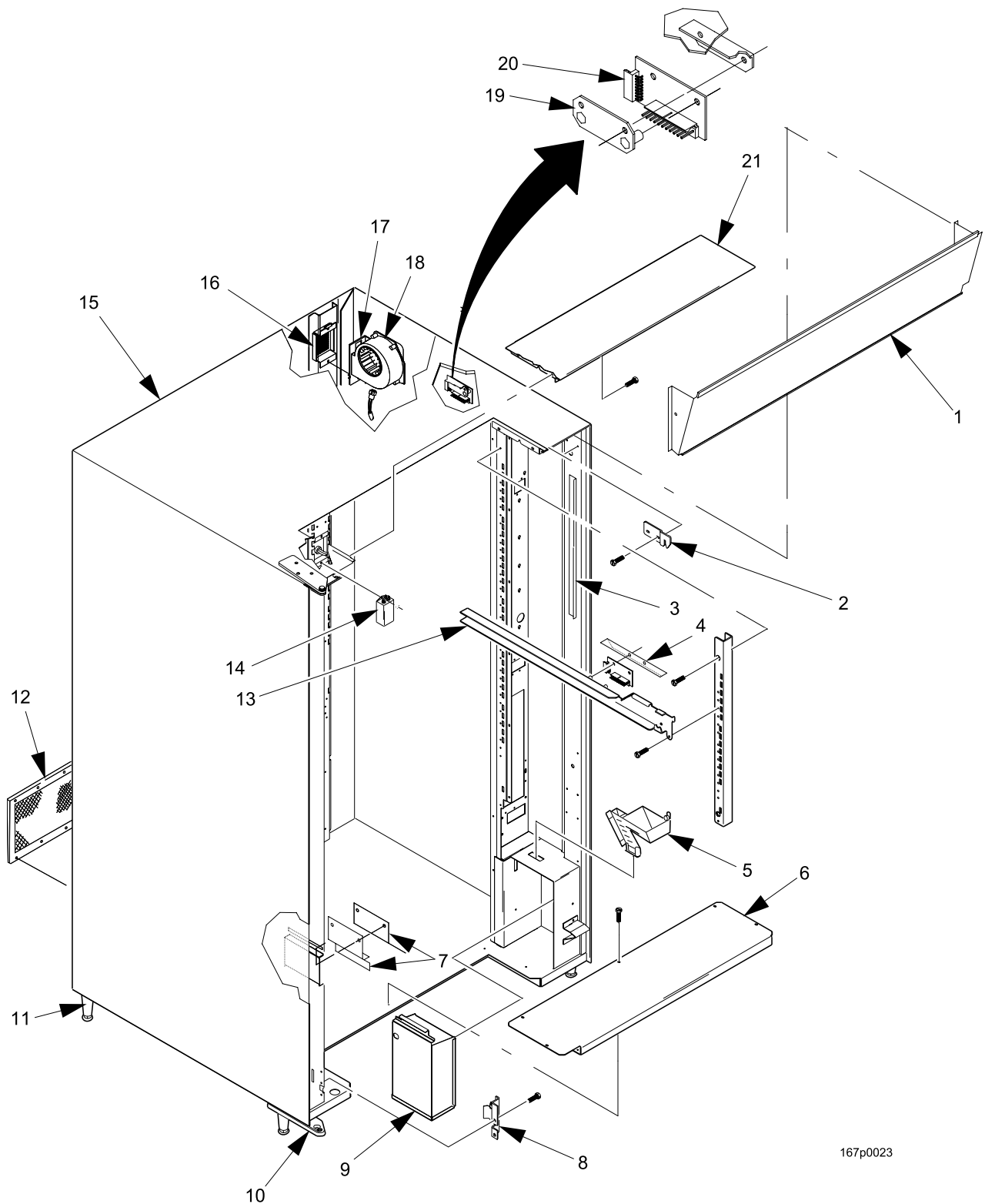


784  
787

157p0291

## Model Identification

# Snack / Refreshment Center 2 Parts Manual

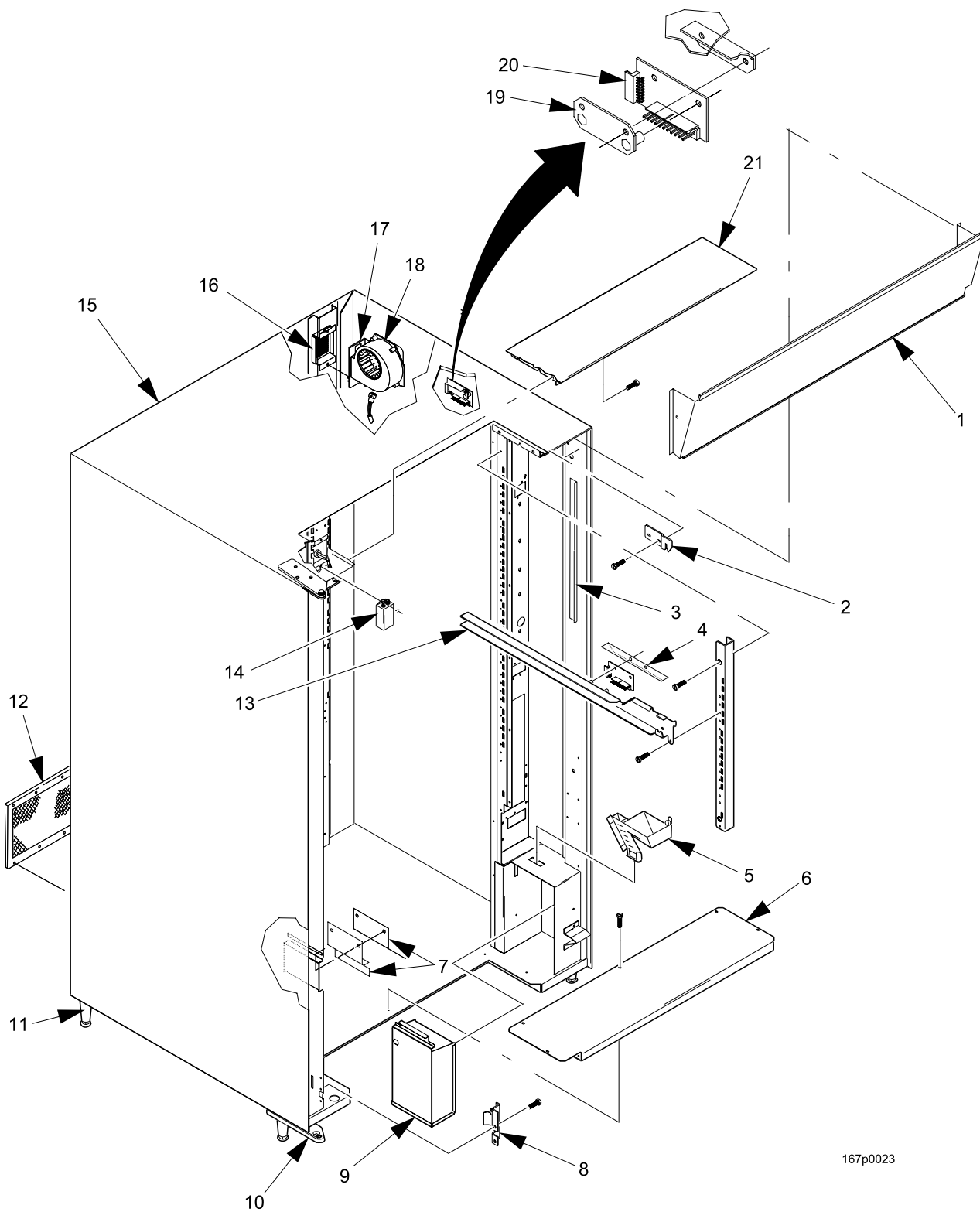


167p0023

Figure 1. Common Cabinet (Part 1)

## Snack / Refreshment Center 2 Parts Manual

<b>TABLE 1. COMMON CABINET (PART 1)</b>			
<b>INDEX</b>	<b>PART NUMBER</b>	<b>DESCRIPTION</b>	<b>QTY.</b>
1	1571102	PANEL - FILLER (167, 267, 764)	1
2	1571074	LOCK ARM - CABINET	2
3	1571022	STOP - MONETARY PANEL	2
4	1571229	SHIELD - TRAY RAIL/PCB	OPT.
5	6231242	CHUTE - PAYOUT	1
6	1571187	BASE FILLER ASSEMBLY - NV BLACK (167, 267, 764 -IMPERIAL CROWN, SIGNATURE & MILLENNIA BLACK)	1
	1571190	BASE FILLER ASSEMBLY - MILL. GRAY (167, 267, 764 -MILLENNIA GRAY)	
6	1581057	BASE FILLER ASSEMBLY - NV BLACK (168, 268, 765, 784, 787)	1
	1581060	BASE FILLER ASSEMBLY - MILL GRAY (168, 268, 765, 784, 787)	
	4871011	BASE FILLER ASSEMBLY - SELECTA WHITE (168, 268, 765, 784, 787)	
7	1571123	DEFLECTOR - LARGE SNACK (167, 267, 764)	1
	1581039	DEFLECTOR ASSEMBLY - SMALL SNACK (168, 268, 765, 784)	
8	1571090	PLATE ASSEMBLY - DOOR CHECK	1
9	1571029	MONEY BOX ASSEMBLY	1
10	6231163	LEG, HINGE & LEVELER ASSEMBLY (SEE FIGURE 41 FOR DETAILS)	1
11	1471237	LEG & LEVELER ASSEMBLY - CABINET (SEE FIGURE 41 FOR DETAILS)	3
12	1581067	PLATE - CABINET BACK (167, 168, 267, 268)	1
	4521021	SCREEN ASSEMBLY - VENT (764, 765, 784, 787)	
13	1571179	TRAY GUIDE RAIL - W/STANDOFFS (RIGHT HAND SIDE, ALL EXCEPT TOP TRAY)	OPT.
14	9989110	FILTER - POWER LINE - EMI	1
15	1571185	CABINET ASSEMBLY - NV BLACK (167, 267) (IMPERIAL CROWN & SIGNATURE)	1
	1571188	CABINET ASSEMBLY - MILL. GRAY (167, 267)	
	1571200	CABINET ASSEMBLY - NV BLACK (764 - IMPERIAL CROWN, SIGNATURE, MILLENNIA BLACK)	
	1571201	CABINET ASSEMBLY - MILL. GRAY (764)	
	1581055	CABINET ASSEMBLY - N.V. BLACK (168, 268)	
	1581058	CABINET ASSEMBLY - MILL. GRAY (168, 268)	
	1581068	CABINET ASSEMBLY - NV BLACK (765, 784, 787 -IMPERIAL CROWN, SIGNATURE & MILLENNIA BLACK)	
	1581069	CABINET ASSEMBLY - MILLENNIA GRAY (765, 784, 787)	
16	1471054	BRACKET & SCREEN ASSEMBLY - EXHAUST	OPT
	1471090	COVER - FAN HOLE (NO FAN OPTION ONLY)	



167p0023

Figure 1. Common Cabinet (Part 1) (Continued)

## Snack / Refreshment Center 2 Parts Manual

<b>TABLE 1. COMMON CABINET (PART 1) (CONTINUED)</b>			
<b>INDEX</b>	<b>PART NUMBER</b>	<b>DESCRIPTION</b>	<b>QTY.</b>
17	1471398	BRACKET - EXHAUST FAN	OPT.
18	6231548	BLOWER ASSEMBLY - 120V	OPT.
	6401088	BLOWER ASSEMBLY - 230V	
19	1571175	PLATE - PCB RAIL - MOUNTING (TOP TRAY PCB ONLY)	1
20	1596012	PCB ASSEMBLY - TRAY	OPT.
21	1581059	TOP FILLER ASSEMBLY - MILL. GRAY (168, 268, 765, 784, 787)	1
	1571186	TOP FILLER ASSEMBLY - NV BLACK (167, 267, 764 - IMPERIAL CROWN, SIGNATURE & MILLENNIA BLACK)	
	1571189	TOP FILLER ASSEMBLY - MILL. GRAY (167, 267, 764)	
	1581056	TOP FILLER ASSEMBLY - NV BLACK (168, 268, 765, 784, 787)	
	4871010	TOP FILLER ASSEMBLY - SELECTA WHITE (168, 268, 765, 784, 787)	
-	1571236	TRAY GUIDE RAIL ASSEMBLY - RIGHT HAND (TOP TRAY) (NOT SHOWN)	
-	1571181	TRAY GUIDE RAIL ASSEMBLY - LEFT HAND (ALL TRAYS) (NOT SHOWN)	

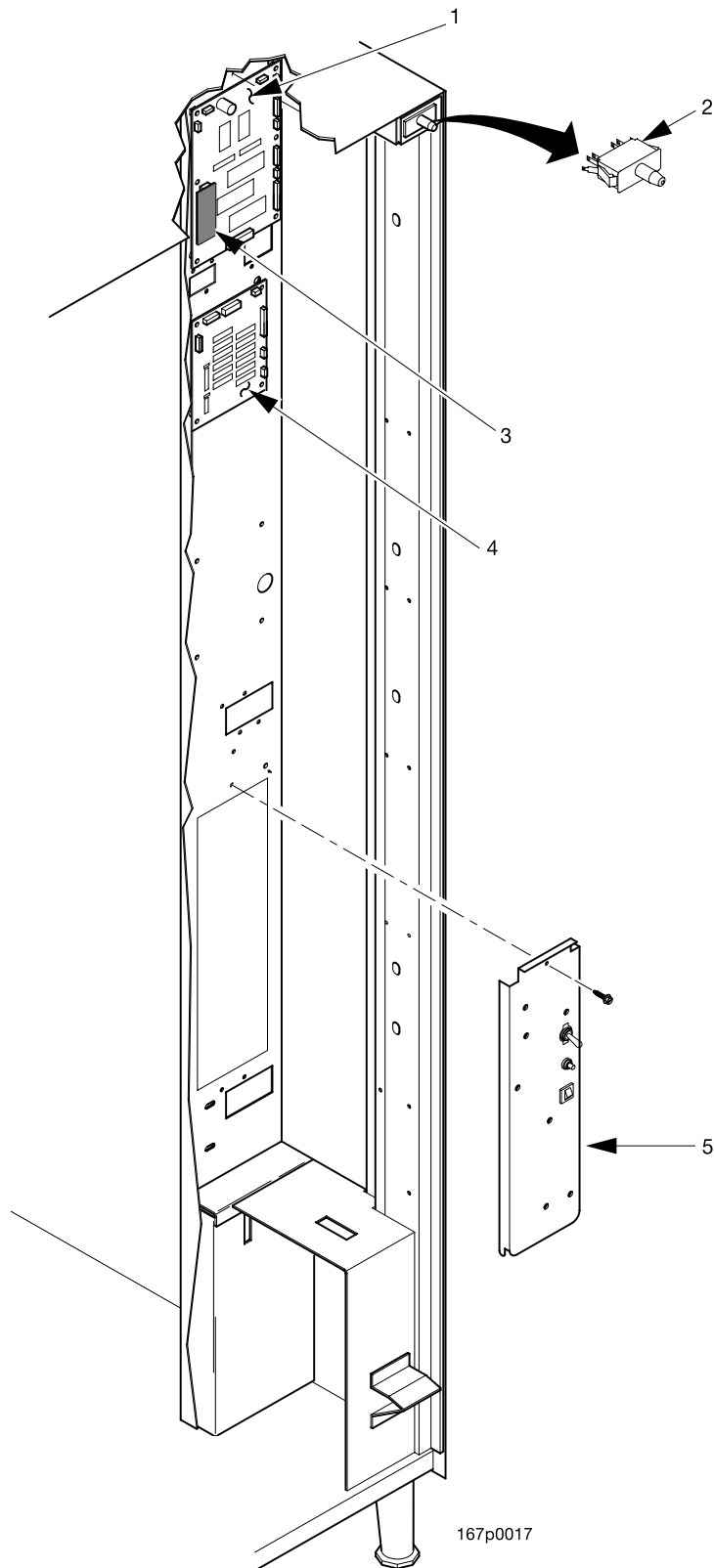


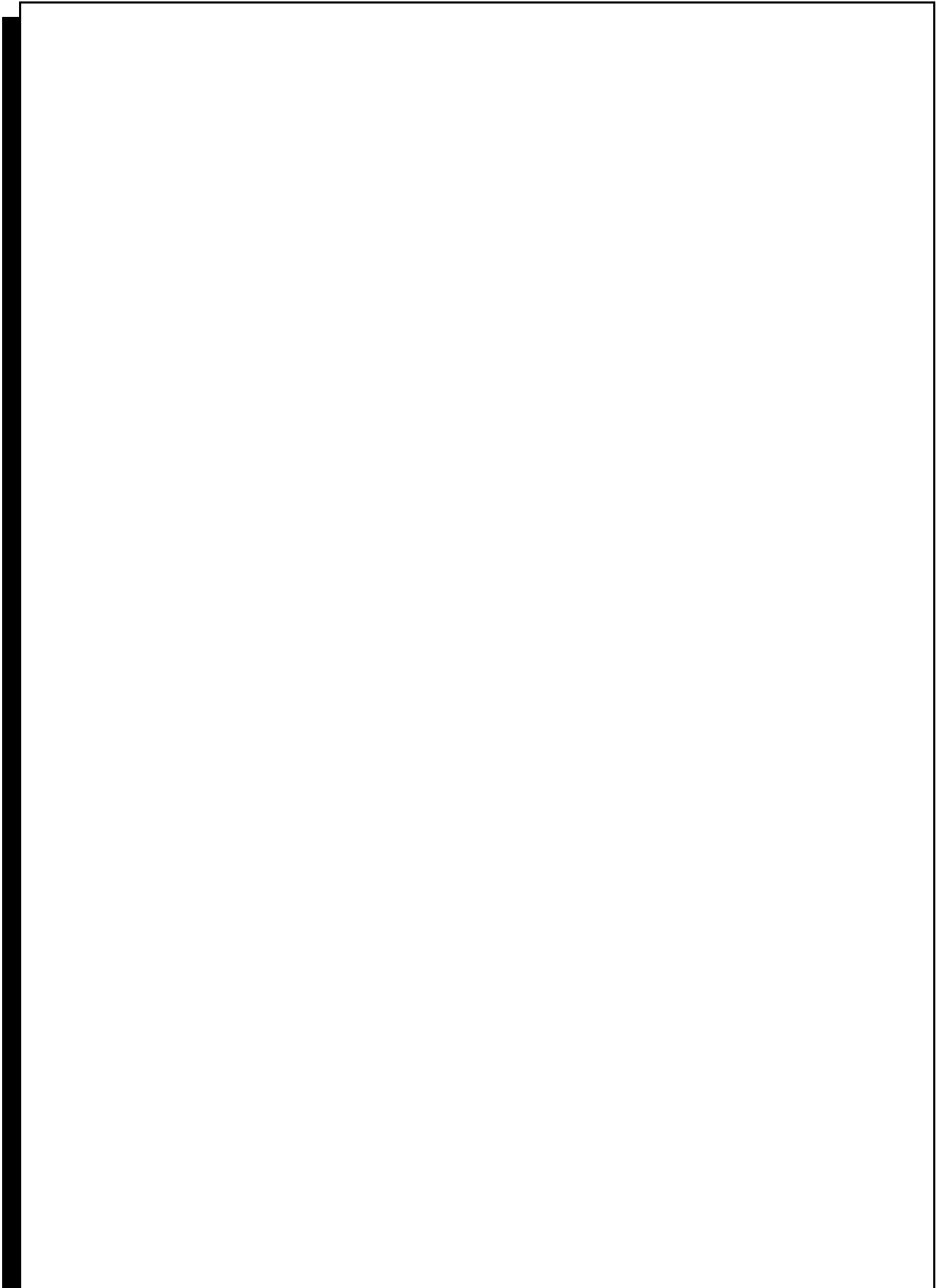
Figure 2. Common Cabinet (Part 2)

## Snack / Refreshment Center 2 Parts Manual

**TABLE 2. COMMON CABINET (PART 2)**

INDEX	PART NUMBER	DESCRIPTION	QTY
-	1586015	MAIN CONTROLLER WITH EPROM (INCLUDES ITEM 1)	1
1	9989751	PCB ASSEMBLY - MAIN CONTROLLER	1
2	1211141	SWITCH INTERLOCK (115V MACHINES)	1
	2366135	SWITCH INTERLOCK (230V MACHINES)	
3	9989687	PCB ASSEMBLY - EXECUTIVE INTERFACE (USED WITH EXEC COIN MECH. OPTION)	1
4	1576008	PCB ASSEMBLY - SNACK INTERFACE	1
5	4521041	POWER PANEL ASEMBLY - 230V (MODELS 167, 168, 764, 765, 787 - FRENCH & GERMAN)	1
	4521020	POWER PANEL ASSEMBLY - 230V (MODELS 764, 765, 787 - UNITED KINGDOM)	
	4841012	POWER PANEL ASSEMBLY - 115V POWER PANEL ASSEMBLY - 120 V - DUMB COIN (SEE FIGURE 4 FOR DETAILS)	
-	9989687	PCB ASSEMBLY - EXECUTIVE INTERFACE (AUSTRALIA) (NOT SHOWN)	1

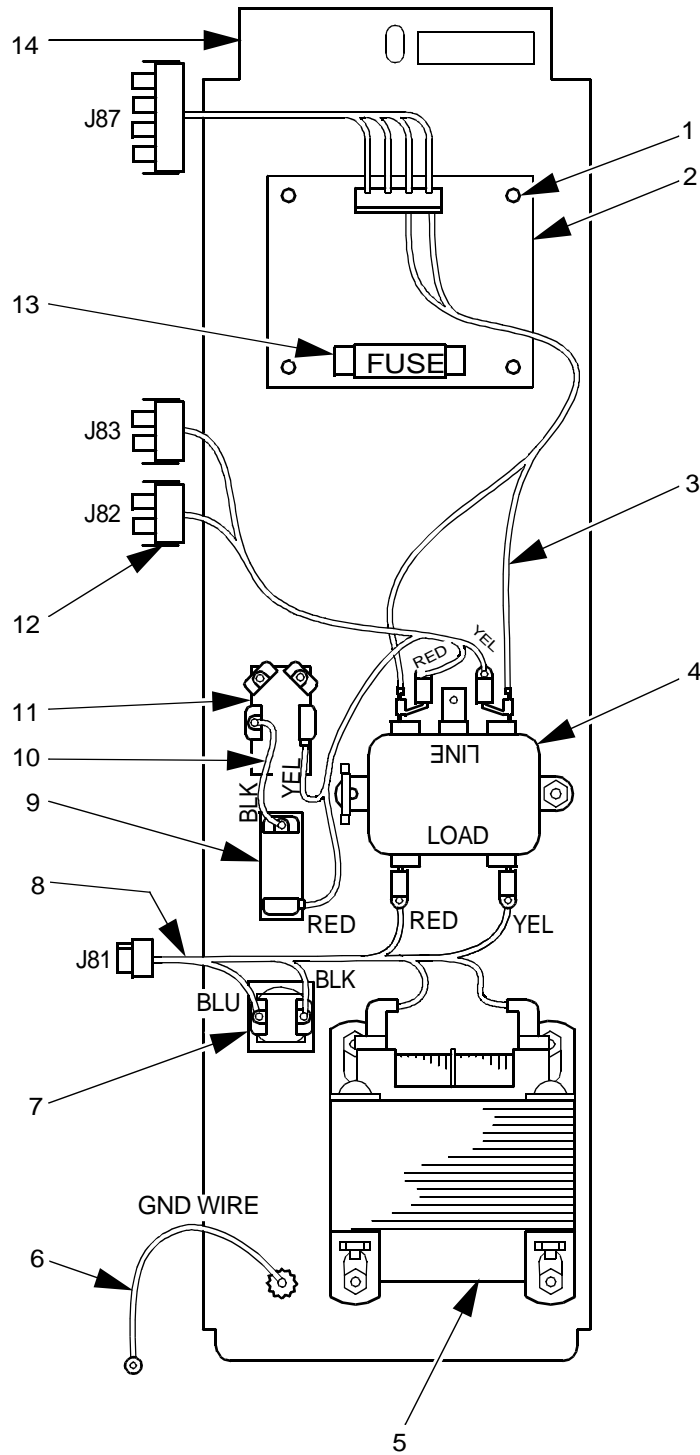
# Snack / Refreshment Center 2 Parts Manual





## Snack / Refreshment Center 2 Parts Manual

<b>TABLE 3. CABINET INSULATION FOR CHILLED SNACK OR CHILLED RC-2</b>		
<b>PART NUMBER</b>	<b>DESCRIPTION</b>	<b>QTY</b>
<b>U.S. MODELS</b>		
4641077	INSULATION - CABINET TOP - 38" - WHITE (764)	1
4651021	INSULATION - CABINET TOP - 32" - WHITE (765)	
4641080	INSULATION - RIGHT HAND SIDE PIECE - WHITE	
4641076	INSULATION - LEFT HAND SIDE - FULL - WHITE	1
4641064	INSULATION - CABINET BACK - WHITE (764)	1
4641066	INSULATION - CABINET BACK - WHITE (765)	
<b>INTERNATIONAL MODELS</b>		
4641081	INSULATION - CABINET TOP - 38"- BLACK 764)	1
4641056	INSULATION - CABINET TOP - 32" - BLACK (765 AND 787)	
4641055	INSULATION - RIGHT HAND SIDE PIECE - BLACK	1
4911005	INSULATION - LEFT HAND SIDE - FULL - BLACK	
4641058	INSULATION - CABINET BACK - 38" - BLACK (764)	1
4641068	INSULATION - CABINET BACK - 32" - BLACK (765 AND 787)	
<b>COVER &amp; AIR DUCT ASSEMBLY - U.S. MODELS (4641079)</b>		
4611007	SHUTTER - AIR DUCT	12
4641025	COVER - AIR DUCT - BLACK	2
4644034	GASKET - AIR DUCT	2
4641059	EXTENSION - AIR DUCT - WHITE	1
4641078	INSULATION - AIR DUCT RIGHT HAND SIDE - WHITE (U.S. MODELS)	1
<b>COVER &amp; AIR DUCT ASSEMBLY - INTERNATIONAL (4911004)</b>		
4611007	SHUTTER - AIR DUCT	12
4641025	COVER - AIR DUCT - BLACK	2
4644034	GASKET - AIR DUCT	2
4641059	EXTENSION - AIR DUCT - WHITE	1
4641054	INSULATION - AIR DUCT RIGHT HAND SIDE - BLACK	1
<b>ADDITIONAL INSULATION FOR TROPICAL MODELS</b>		
4641043	INSULATION - TOP - CHANNEL (MODEL 764 ONLY)	1
4651012	INSULATION - TOP - CHANNEL (MODELS 765 AND 787)	
4641031	INSULATION - TOP FRONT - RIGHT	1
4641033	INSULATION - TOP FRONT - CENTER (MODEL 764 ONLY)	1
4651011	INSULATION - TOP FRONT - CENTER (MODELS 765 AND 787)	
4641032	INSULATION - TOP FRONT - LEFT	1
<b>MOUNTING HARDWARE</b>		
4641009	"W" BRACKET - INSULATION MOUNTING	-
4981001	ANGLE - INSULATION - REAR	-
4621003	RETAINER - TOP INSULATION	-



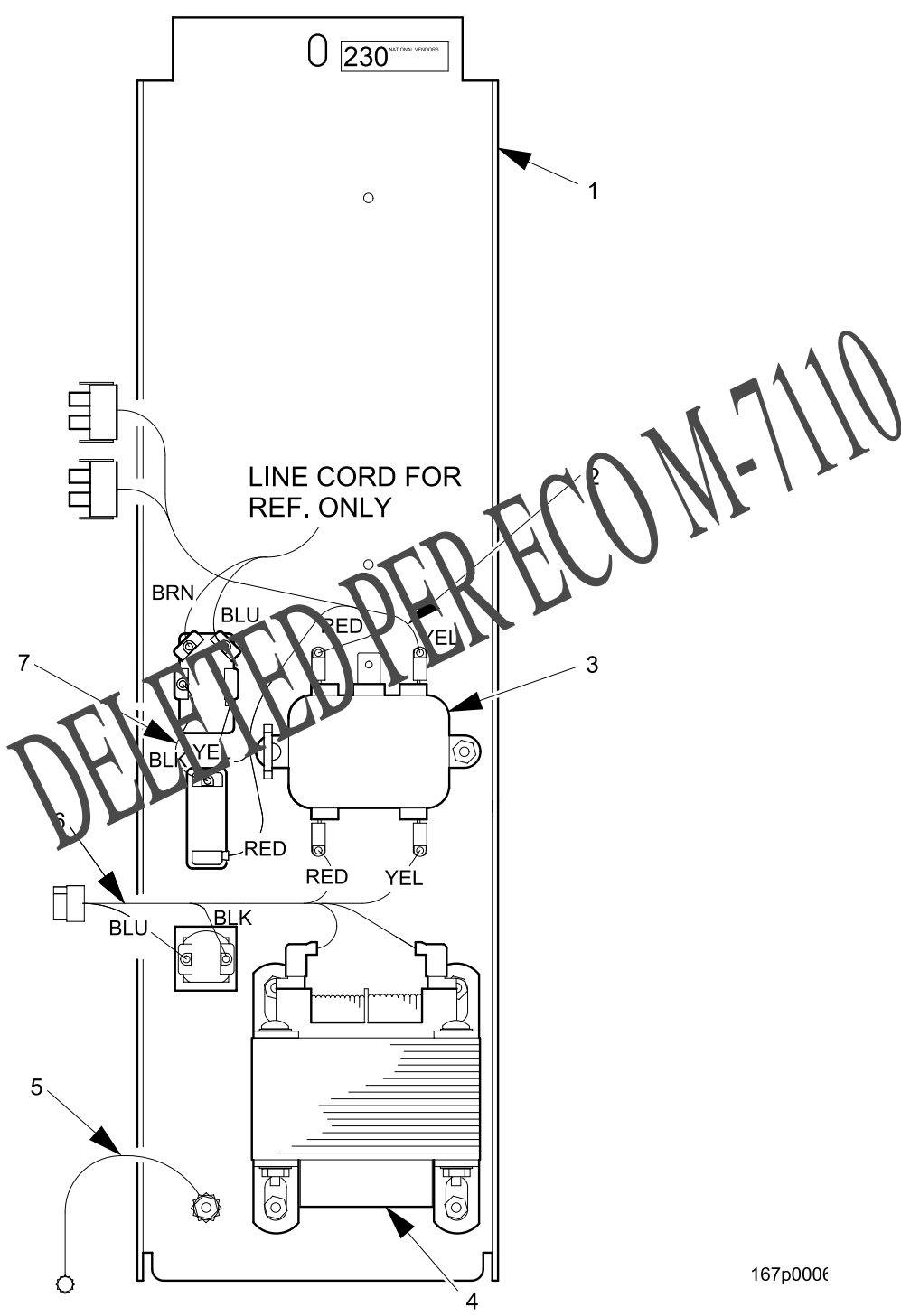
327p0066

Figure 4. Power Panel Assembly - 120 V - Dumb Coin

## Snack / Refreshment Center 2 Parts Manual

**TABLE 4. POWER PANEL ASSEMBLY - 120 V - DUMB COIN**

INDEX	PART NUMBER	DESCRIPTION	QTY
-	1671011	POWER ASSY-120V DUMB COIN-15A	REF
1	1571035	STANDOFF-PCB-3/8 SNAP LOCK	4
2	9989659	PCB ASSY-DUMB MECH POWR SUPP (INCLUDES INDEX 13)	1
3	1679001	HARNESS-120V COIN ADAPT	1
4	9989100	INTERFERENCE FILTER	1
5	9989046	24V XFMR-DUAL PIR.-.187 TERM	1
6	9984094	WIRE-GROUND-14	1
7	9989674	CIRCUIT BREAKER-4 AMP	1
8	1709001	JUMPER-TRANSFORMER-FOREIGN	1
9	9989672	BREAKER-15A	1
10	1709006	JUMPER-MAIN SWITCH TO BREAKER	1
11	9984629	SWITCH-TOGGLE-DPST-20AMP	1
12	1709000	HARNESS-POWER PANEL-FOREIGN	1
13	5202048	FUSE 1 AMP	1
14	1701025	PLATE-HOUSING-PANEL	1
-	6849015	JUMPER - POWER SWITCH (MEXICO) - (NOT SHOWN)	1
-	9989110	FILTER - POWER LINE - EMI (MEXICO) - (NOT SHOWN)	1



167p0006

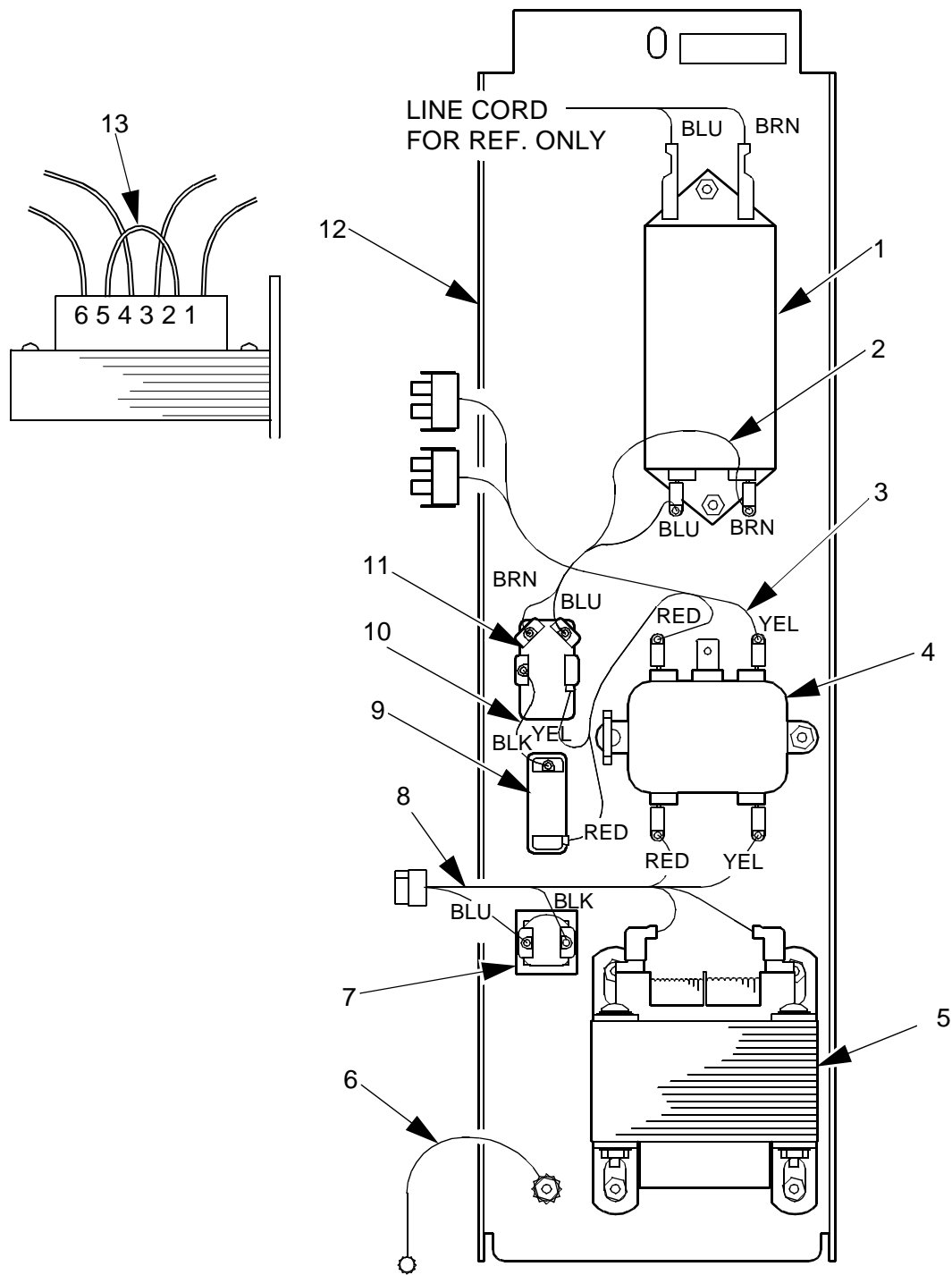
Figure 5. Power Panel Assembly - Models 167 & 168 - U.K.

## Snack / Refreshment Center 2 Parts Manual

**TABLE 5. POWER PANEL ASSEMBLY - MODELS 167 & 168 - U.K.**

INDEX	PART NUMBER	DESCRIPTION	QTY
-	4522020	POWER ASSEMBLY - UK - 230V - W/O FILTER	1
1	1701025	PLATE - HOUSING - PANEL	1
2	1709000	HARNESS - POWER PANEL - INTERNATIONAL	1
3	9989100	INTERFERENCE FILTER	1
4	9989046	24V XFMR - DUAL PIR. - .187 TERM.	1
5	9984165	JUMPER - GROUND WIRE	1
6	1709001	JUMPER - TRANSFORMER - INTERNATIONAL	1
7	1709006	JUMPER - MAIN SWITCH C/BREAKER	1

DELETED PER ECOM-7110



167p0007

Figure 6. Power Panel Assembly - Models 764, 765, & 787 - U.K.

## Snack / Refreshment Center 2 Parts Manual

**TABLE 6. POWER PANEL ASSEMBLY - MODELS 764, 765, & 787 - U.K.**

INDEX	PART NUMBER	DESCRIPTION	QTY
-	4521020	POWER PANEL ASSY-U.K.-230V	-
1	9989110	MAIN LINE FILTER	1
2	6849015	JUMPER	1
3	1709000	HARNESS	1
4	9989100	E.M.I. FILTER	1
5	9989046	24V XFMR-DUAL PIR.-.187 TERM.	1
6	9984094	GROUND WIRE	1
7	9989674	BREAKER - 4A	1
8	1709001	HARNESS	1
9	9989672	BREAKER-15A	1
10	1709006	JUMPER	1
11	9984629	SWTICH	1
12	1701025	PLATE-HOUSING-PANEL	1
13	4279001	JUMPER	1

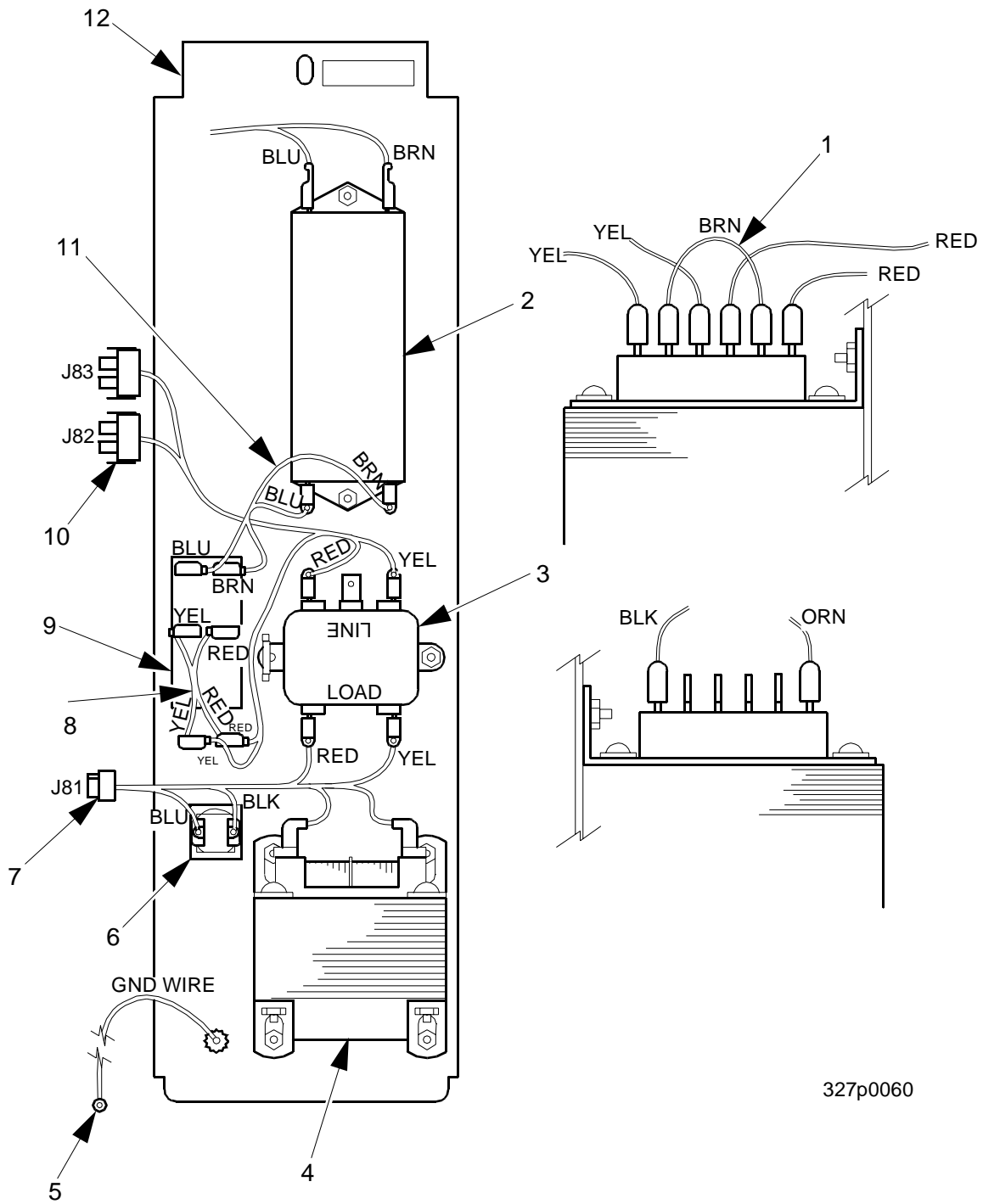


Figure 7. Power Panel Assembly - 230 V - Fr/Ger



## Snack / Refreshment Center 2 Parts Manual

**TABLE 7. POWER PANEL ASSEMBLY - 230 V - FR/GER**

INDEX	PART NUMBER	DESCRIPTION	QTY
-	4521041	POWER PANEL ASSY-230V FR/GER	REF
1	4279001	JUMPER-230V-XFMR PRI	1
2	9989110	FILTER-POWER LINE-EMI	1
3	9989100	INTERFERENCE FILTER	1
4	9989046	24V XFMR-DUAL PIR.-.187 TERM	1
5	9984094	WIRE-GROUND-14"	1
6	9989674	CIRCUIT BREAKER-4 AMP	1
7	1709001	JUMPER-TRANSFORMER-FOREIGN	1
8	4529002	JUMPER-FRENCH/GERMAN SWITCH	1
9	9984627	CIRCUIT BREAKER/SWITCH-16 AM	1
10	1709000	HARNESS-POWER PANEL-FOREIGN	1
11	6849015	JUMPER-POWER SW	1
12	4521036	PLATE-HOUSING-PANEL-FR/GER.	1

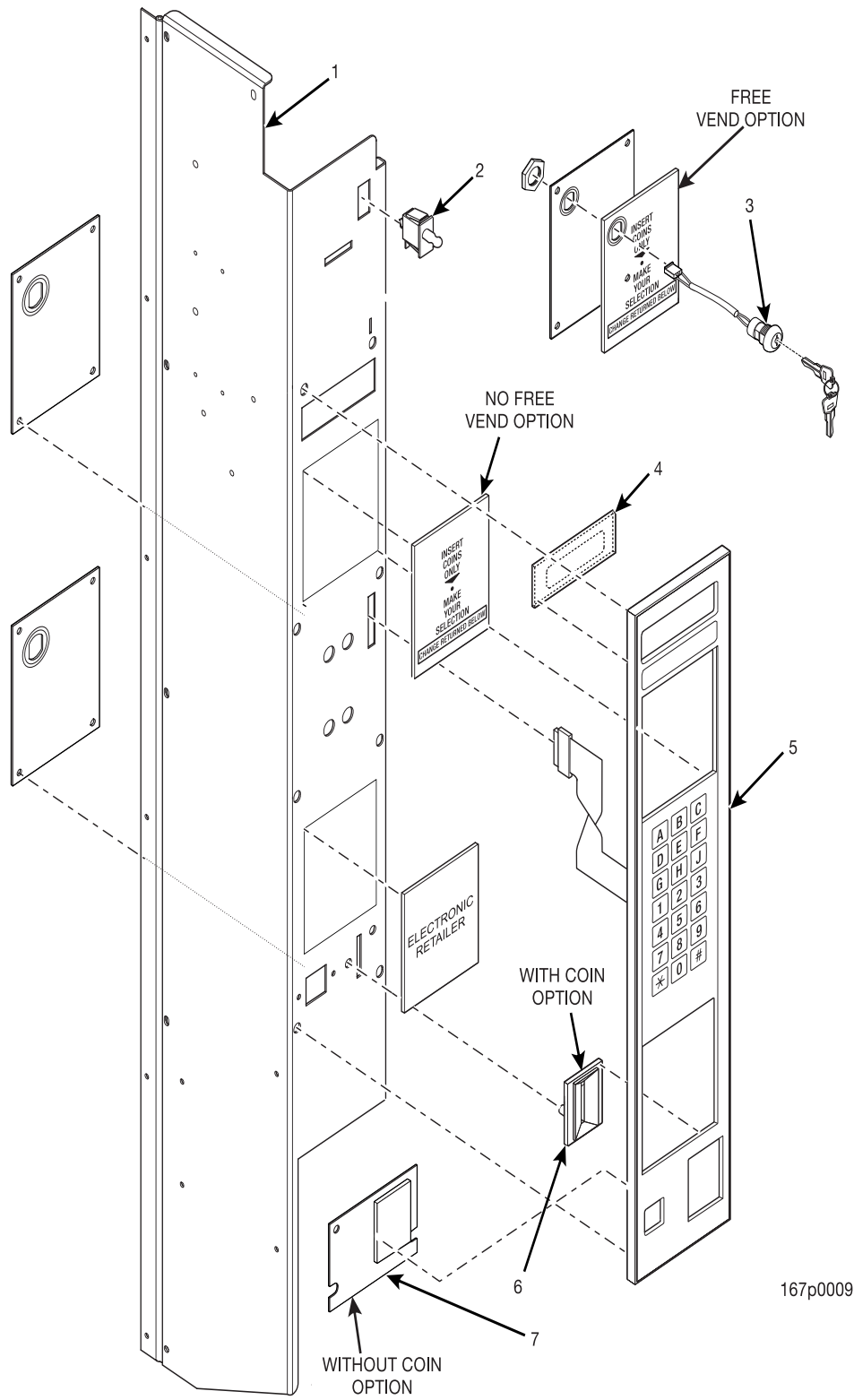


Figure 8. Monetary Panel Assembly (Part 1 of 4)

## Snack / Refreshment Center 2 Parts Manual

**TABLE 8. MONETARY PANEL ASSEMBLY (PART 1 OF 4)**

INDEX	PART NUMBER	DESCRIPTION	QTY
1	1575094	MONETARY PANEL WELD ASSEMBLY - NV BLACK	1
	4875001	MONETARY PANEL WELD ASSEMBLY - SELECTA WHITE	
2	1401110	SWITCH - SERVICE	1
3	9989639	SWITCH ASSEMBLY - FREE VEND	1
4	1572013	LENS - DISPLAY	1
5	1575098	FACEPLATE ASSEMBLY (WITH COIN OPTION)	1
	1575099	FACEPLATE ASSEMBLY (NO COIN OPTION)	
6	1472223	COIN INSERT (WITH COIN OPTION)	1
	1672001	COIN INSERT (AUSTRALIA ONLY) (NOT SHOWN)	
7	-	LOWER MONETARY POSITION	-

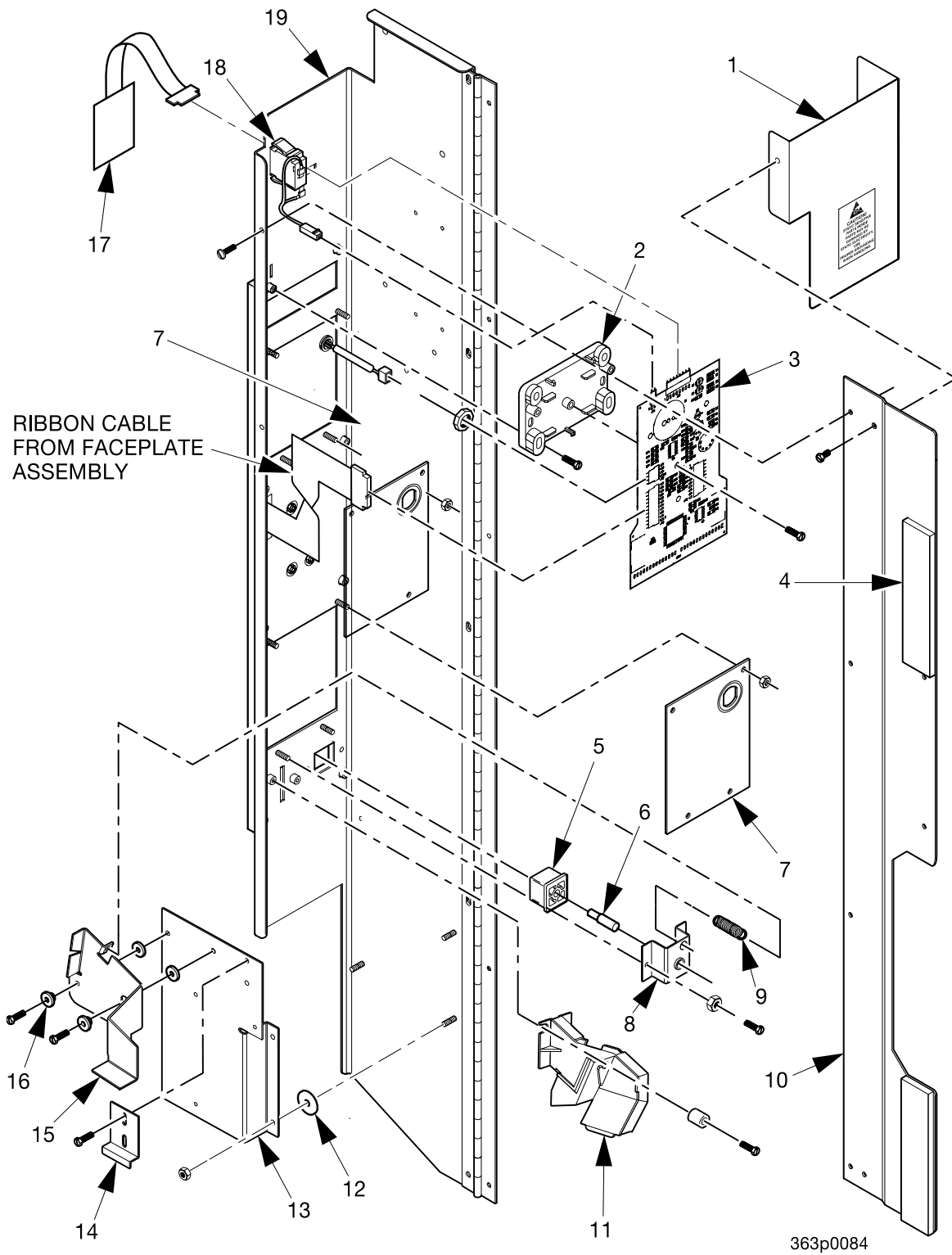


Figure 9. Monetary Panel Assembly (Part 2 of 4)

## Snack / Refreshment Center 2 Parts Manual

**TABLE 9. MONETARY PANEL ASSEMBLY (PART 2 OF 4)**

INDEX	PART NUMBER	DESCRIPTION	QTY
1	1575029	COVER - DISPLAY	1
2	1475099	BRACKET - PCB - DISPLAY	1
3	9989685	PCB ASSEMBLY - DISPLAY	1
4	3122056	MAGNET RETAINER COIN CHANGER	1
5	1475026	BUTTON - COIN RETURN	1
6	1475072	SHAFT - RETURN BUTTON	1
7	-	UPPER OR LOWER MONETARY POSITION (SEE TABLE 12 FOR DETAILS)	-
8	1571079	BRACKET - COIN RETURN BUTTON	1
9	1127808	SPRING SHELF RESET	1
10	1575057	PLATE - MAGNET MOUNTING	1
11	1575003	COIN CHUTE ASSEMBLY	OPT.
12	9900067	WASHER STEEL 7/16 X.203 X.062	2
13	1571081	BRACKET ASSEMBLY - COIN MECHANISM	OPT.
14	6231037	CLAMP - CABLE	1
15	1571113	ARM - SCAVENGER	1
16	2204093	WASHER - SCAVENGER BAR	1
17	6335002X	SERVICE KEYPAD ASSEMBLY	1
	6335005	SERVICE KEYPAD ASSY-SPANISH	
18	1401110	SWITCH	1
19	1575094	PANEL WELD ASSEMBLY - MONETARY	1

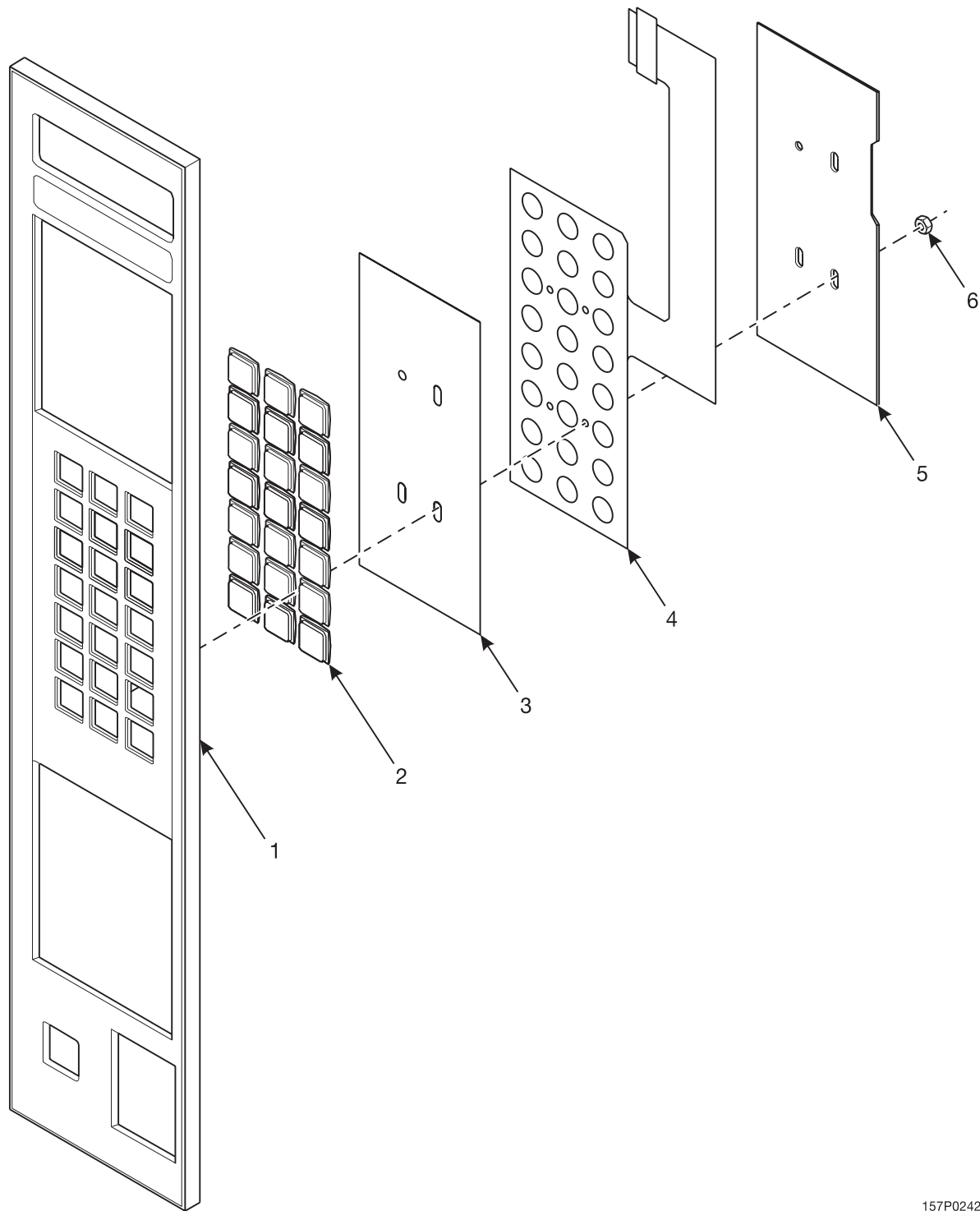


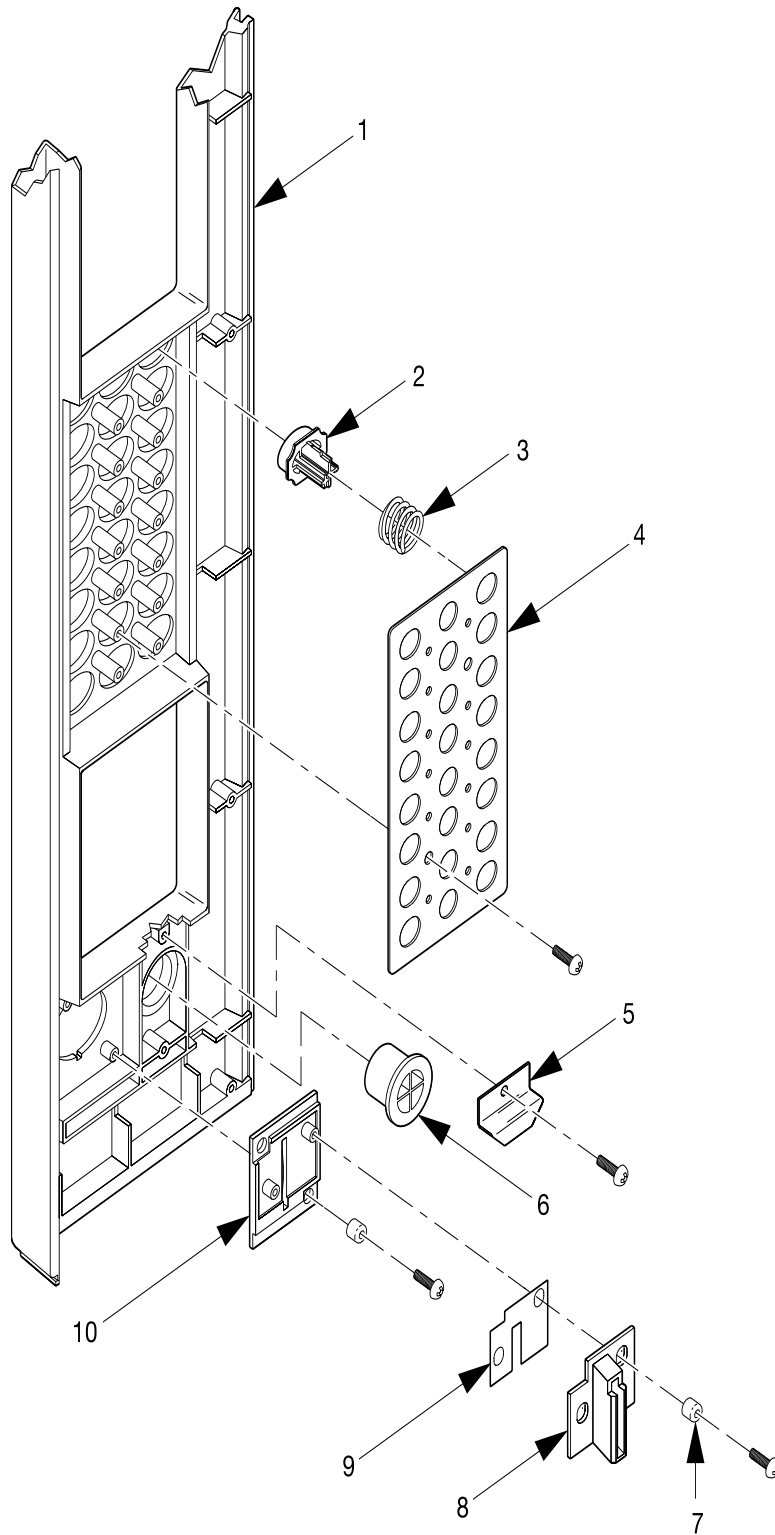
Figure 10. Monetary Panel Assembly (Part 3 of 4)

157P0242

## Snack / Refreshment Center 2 Parts Manual

**TABLE 10. MONETARY PANEL ASSEMBLY (PART 3 OF 4)**

INDEX	PART NUMBER	DESCRIPTION	QTY
1	1575098	FACEPLATE ASSEMBLY (WITH COIN OPTION)	1
	1575099	FACEPLATE ASSEMBLY (NO COIN OPTION)	
-	1575001	SELECTION PANEL (WITH COIN OPTION)	1
	1575043	SELECTION ASSEMBLY (NO COIN OPTION)	
2	1472251	LENS - PUSH BUTTON	21
3	1575010	LETTER SHEET - SELECT SWITCH	1
4	9984630	MEMBRANE SWITCH ASSEMBLY - SELECT	1
5	1575091	PLATE - SELECT SWITCH - BACK UP	1
6	1475089	NUT	4



363p023C

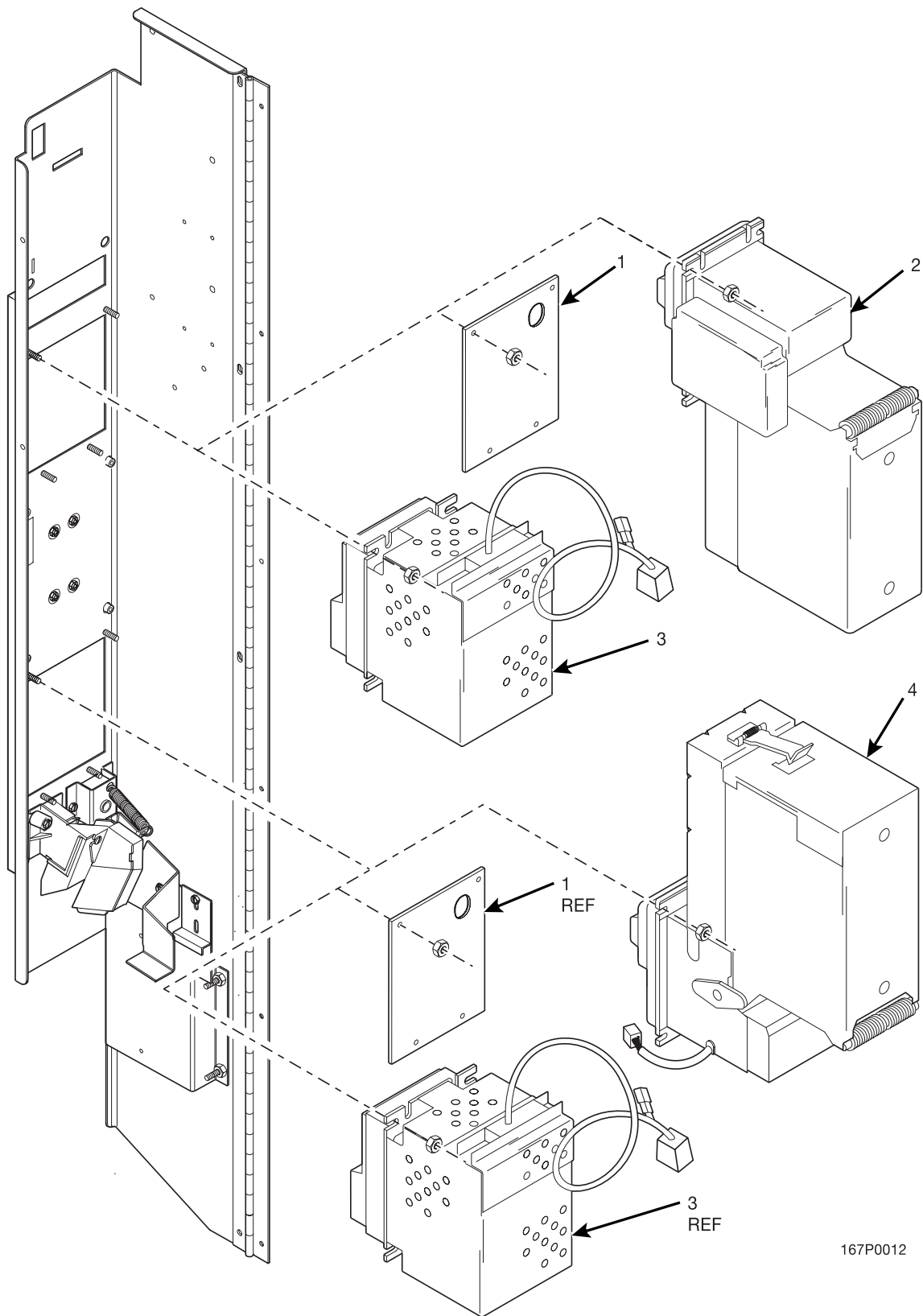
Figure 11. Monetary Panel Assembly (Part 4 of 4) - Millennium Styling



## Snack / Refreshment Center 2 Parts Manual

**TABLE 11. MONETARY PANEL ASSEMBLY (PART 4 OF 4) - MILLENNIA STYLING**

<b>INDEX</b>	<b>PART NUMBER</b>	<b>DESCRIPTION</b>	<b>QTY.</b>
1	1572213	R.H. TRIM - UPPER - "A21"	1
2	1572212	ARRAY - PUSH BUTTON SELECTION	1
3	1572224	SPRING - PUSH BUTTON	2
4	1572223	PLATE - STOP BUTTONS	1
5	1572292	RETAINER - RETURN BUTTON	1
6	1572210	COIN RETURN BUTTON - "A-2"	1
7	2302053	SPACER CUP	4
8	1572323	EXTENSION - COIN INSERT	1
9	1472222	COIN BLOCK	1
10	1572209	COIN INSERT - "A-1"	1



167P0012

Figure 12. Card Reader and Bill Validator Combinations

## Snack / Refreshment Center 2 Parts Manual

**TABLE 12. CARD READER AND BILL VALIDATOR COMBINATIONS**

INDEX	PART NUMBER	DESCRIPTION	QTY
	-	MONETARY PANEL WELD ASSEMBLY (REF)	1
1	1575048	PLATE - INSERT BACKING	1
2	-	DOWNSTACK BILL VALIDATOR	OPT
3	-	DEBIT CARD READER	OPT
4	-	UPSTACK BILL VALIDATOR	OPT

**TABLE 1 A. MONETARY LOCATION OPTIONS**

MONETARY PANEL LOCATION			
MONETARY CAPABILITY	UPPER	LOWER	WITH COIN?
COIN - VAL - CARD	CARD READER	UPSTACK VALIDATOR	YES
COIN - VAL - CARD	DOWNSTACK VALIDATOR	CARD READER	YES
COIN - VAL	INSERT INSTRUCTIONS BACK-UP PLATE (1575048)	UPSTACK VALIDATOR	YES
COIN - VAL	DOWNSTACK VALIDATOR	INSERT INSTRUCTIONS BACK-UP PLATE (1575048)	YES
COIN - CARD	INSERT INSTRUCTIONS BACK-UP PLATE (1575048)	CARD READER	YES
COIN - CARD	CARD READER	INSERT INSTRUCTIONS BACK-UP PLATE (1575048)	YES
VAL - CARD	DOWNSTACK VALIDATOR	CARD READER	NO
VAL - CARD	CARD READER	DOWNSTACK VALIDATOR	NO
COIN ONLY	INSERT INSTRUCTIONS BACK-UP PLATE (1575048)	INSERT INSTRUCTIONS BACK-UP PLATE (1575048)	YES
VAL ONLY	INSERT INSTRUCTIONS BACK-UP PLATE (1575048)	UPSTACK VALIDATOR	NO
VAL ONLY	DOWNSTACK VALIDATOR	INSERT INSTRUCTIONS BACK-UP PLATE (1575048)	NO
CARD ONLY	CARD READER	INSERT INSTRUCTIONS BACK-UP PLATE (1575048)	NO
CARD ONLY	INSERT INSTRUCTIONS BACK-UP PLATE (1575048)	CARD READER	NO

**NOTES:**  
**ALL ITEMS ARE SECURED WITH FOUR NUTS (P/N 9900081).**  
**SHADED ITEMS REPRESENT ALTERNATE CONFIGURATIONS**

# Snack / Refreshment Center 2 Parts Manual

**TABLE 1 B. CARD READER OPTIONS**

<b>PART NUMBER</b>	<b>DESCRIPTION</b>
1475107	DEBITEK # VIS-MM-NAT SYSTEM III
1575050	BRACKET - DEBITEK CONTROLLER (NO COIN OPTION)
1575052	BRACKET - DEBITEK CONTROLLER (WITH COIN OPTION)

**TABLE 1 C. BILL VALIDATOR OPTIONS**

<b>PART NUMBER</b>	<b>DESCRIPTION</b>	<b>HARNESS PART NUMBER</b>
5900198	VALIDATOR - MARS - S2000 - VN2311 - U5E	1579005
3152444	VALIDATOR - MARS - VFM1 - S1 - U4C -CNSMT	
5900182	VALIDATOR - COINCO - BA305A	1579028
5900193	VALIDATOR - MARS - S2000 - VN2511 - U5E -CN5	
5900233	VALIDATOR - CONLUX MKA 2152-12B 120V	
3152391	VALIDATOR - MARS VFM3 - S1 - U4C -CNSMT	
5900248	VALIDATOR - MARS AE 2611 - U5E SERIAL	
5900205	VALIDATOR - MARS - VN2512-U5E - 24V	1579032 (HAR- NESS) 9989718 (JUMPER)
5900221	VALIDATOR - COINCO - BA32SA - 24V	
5900234	VALIDATOR - CONLUX - 2162 - 24V - 300	
1475053	VALIDATOR - MAKA - NB - 1KB - 400 WITH MASK "K" INSTALLED	1579006
5900247	VALIDATOR - MARS AE 2612 - U5M - MDB	-
5900210	VALIDATOR - MARS - VN2512 - USM/500 -MDB	-
5900234	VALIDATOR - COINLUX - 2162 - 24V - 300	1579050
5900283	VAL-COINCO - MAGPRO - 32R	-
5900284	VAL-COINCO-MAGPRO-30SA	1579034
5900285	VAL-COINCO-MAGPRO-32SA	
5900287	VAL-COINCO-MAGPRO-MAG50SA	
5900182	VALIDATOR - COINCO - BA 30SA	
5900290	VALIDATOR - COINCO MAGPRO 52R	

## Snack / Refreshment Center 2 Parts Manual

**TABLE 1 D. COIN MECHANISM OPTIONS**

PART NUMBER	DESCRIPTION
5900116	MARS TRC6000 COIN UNIT
5307321	COINTRON 3000 - US COIN VAL
5900096	COINCO 9340L COIN UNIT
5900112	MARS MC5000 COIN UNIT
6400002	COIN CHANGER - MARS #TRC 6010XV
6000003	COIN CHANGER - COINCO # 9302LF-24
5900094	COINCO 9300L COIN UNIT
5900192	COIN UNIT - COINLUX USLX00401F
5900213	COIN UNIT - COINCO - 9302 - GX - MDB
5900209	COIN UNIT - CONLUX - USLZ - 001 - MDB
5900214	COIN UNIT - MARS - VN 4510 - MDB
5900216	COIN UNIT - MARS - VN 4000, 110V
5900217	COIN UNIT - MARS - VN 4010 XV - 24V
5900192	COIN UNIT - CONLUX - USLX 00401F
5900237	COIN UNIT - CONLUX - USLX - 001 120V

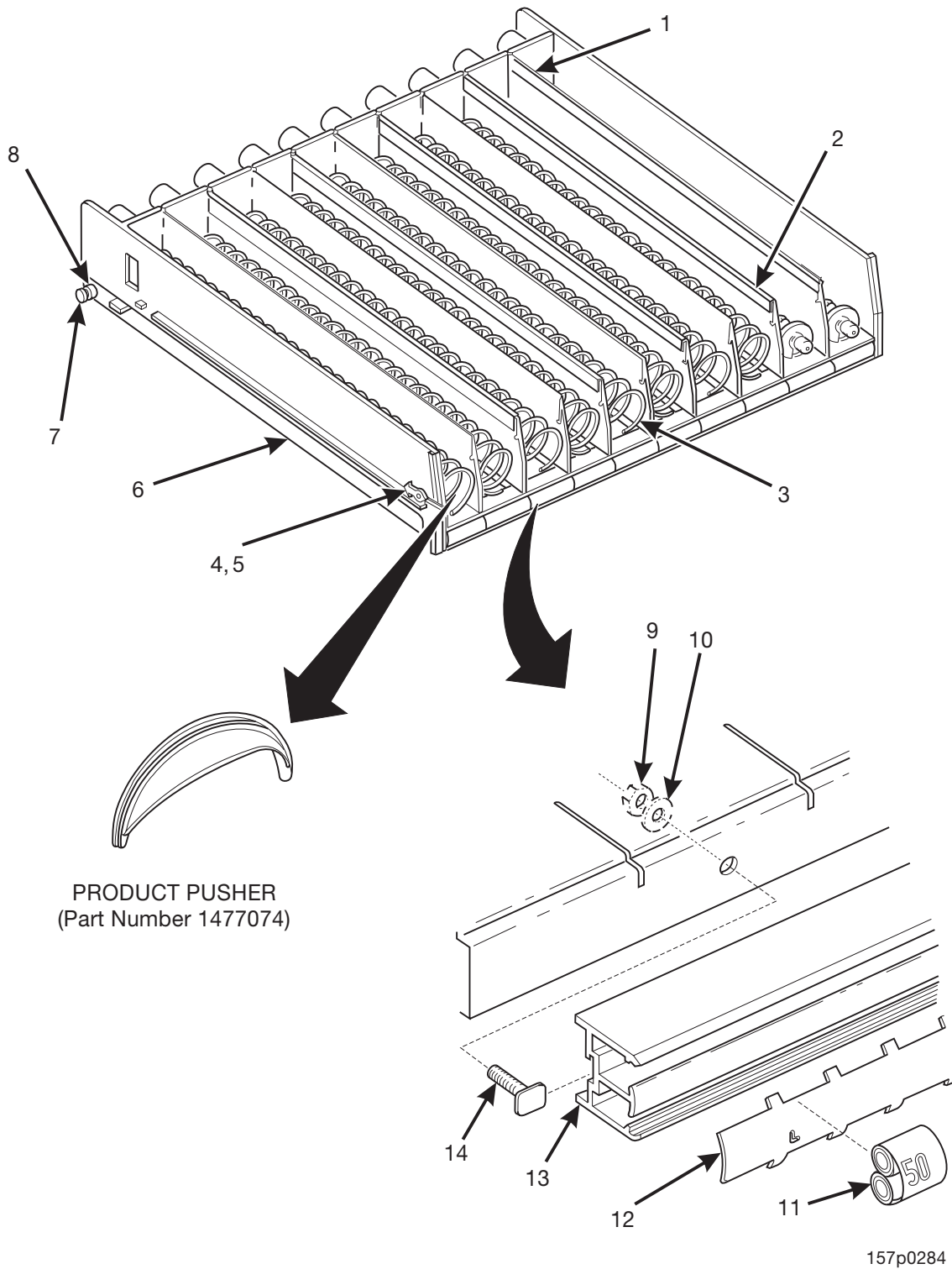
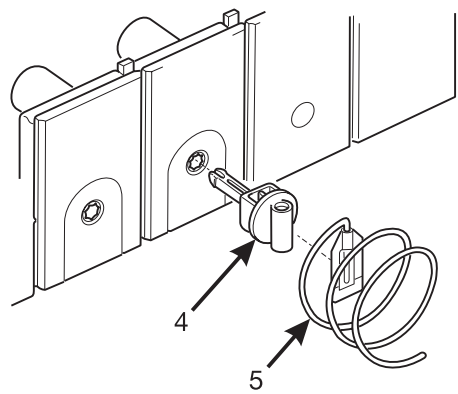
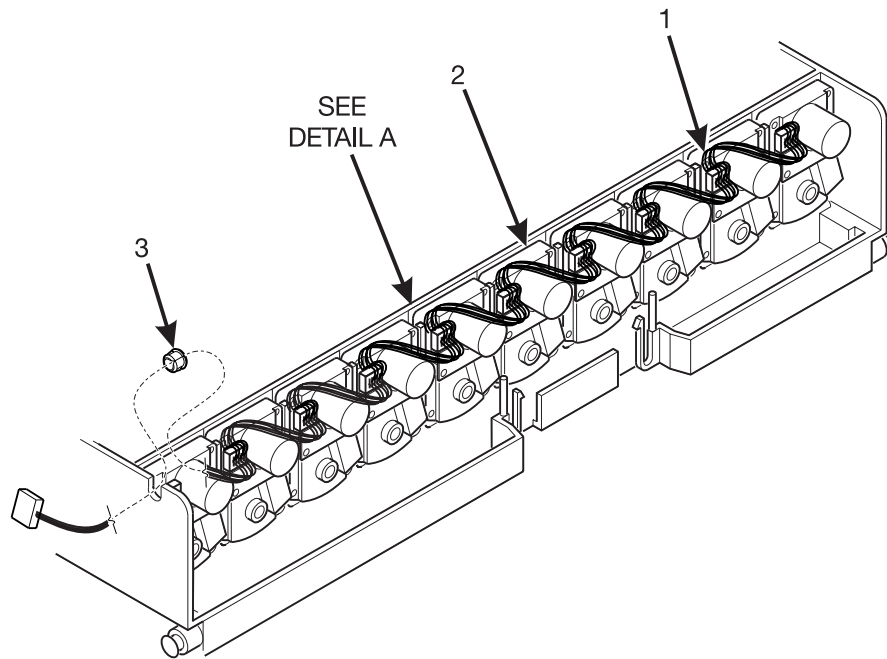


Figure 13. Candy Tray Assembly (Part 1 of 2)

## Snack / Refreshment Center 2 Parts Manual

**TABLE 13. CANDY TRAY ASSEMBLY (PART 1 OF 2)**

INDEX	PART NUMBER	DESCRIPTION	QTY
-	1597002	TRAY ASSEMBLY - 10 CANDY (SHOWN) (167, 764)	1
-	1607002	TRAY ASSEMBLY - 8 CANDY (NOW SHOWN) (168, 765, 784, 787)	1
1	1477175	WALL - TRAY (10 CANDY)	9
	1477175	WALL - TRAY (8 CANDY)	7
2	1677193	SPACER - ADJUSTABLE (10 CANDY)	4
	1677193	SPACER - ADJUSTABLE (8 CANDY)	3
3	-	SPIRAL (SEE TABLE 1 F FOR DETAILS)	-
4	1477017	LATCH	2
5	5201267	PUSH-ON RETAINER - .312	2
6	1577040	TRAY - 5 & 10 DIVISION	1
	1587003	TRAY - 4 & 8 DIVISION	
7	1477097	AXLE - TRAY ROLLER	2
8	1477148	ROLLER - TRAY	2
9	9900030	NUT #8-32 SELF-LOCKING (10 CANDY)	3
		NUT #8-32 SELF-LOCKING (8 CANDY)	2
10	5560113	WASHER - HOPPER RELEASE (10 CANDY)	3
		WASHER - HOPPER RELEASE (8 CANDY)	2
11	-	PRICE ROLLS (10 CANDY)	10
	-	PRICE ROLLS (8 CANDY)	8
12	1477157	HOLDER - PRICE & SELECTION (10 CANDY)	1
	1487016	HOLDER - PRICE & SELECTION (8 CANDY)	
13	1477134	RAIL - PRICE & SELECTION (10 CANDY)	1
	1487009	RAIL - PRICE & SELECTION (8 CANDY)	
14	2222031	TEE BOLT - TRIM (10 CANDY)	3
		TEE BOLT - TRIM (8 CANDY)	2



159PO025

DETAIL A

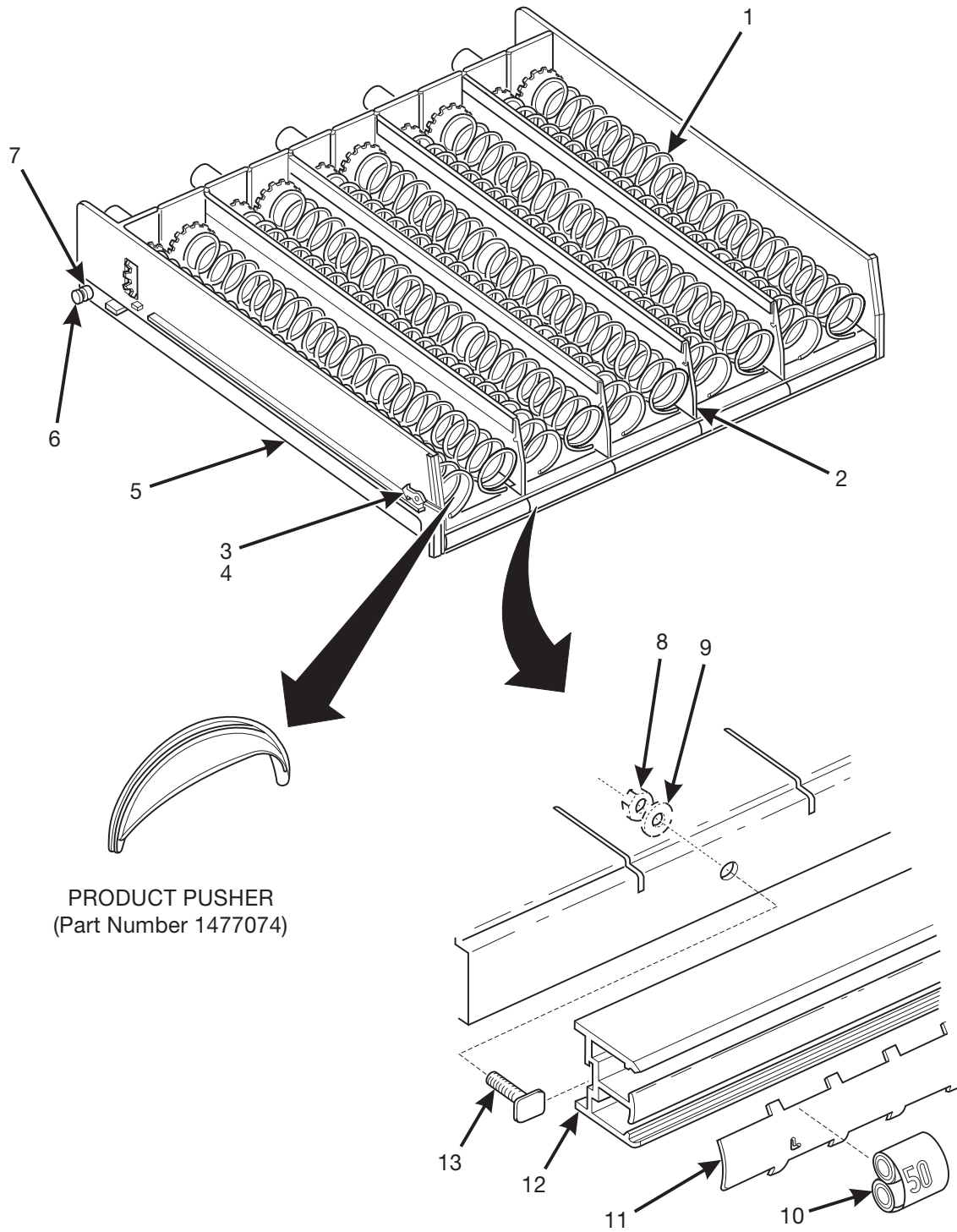
Figure 14. Candy Tray Assembly (Part 2 of 2)



## Snack / Refreshment Center 2 Parts Manual

**TABLE 14. CANDY TRAY ASSEMBLY (PART 2 OF 2)**

INDEX	PART NUMBER	DESCRIPTION	QTY
1	1599019	HARNESS - 10 MOTOR TRAY (167, 764)	1
	1599018	HARNESS - 8 MOTOR TRAY (168, 765, 784, 787)	
2	1577035	MOTOR & PCB ASSEMBLY (10 MOTOR TRAY)	10
		MOTOR & PCB ASSEMBLY (8 MOTOR TRAY)	8
3	3502097	BUSHING	1
4	1477113	COUPLING - SPIRAL (10 MOTOR TRAY)	10
		COUPLING - SPIRAL (8 MOTOR TRAY)	8
5	-	SPIRALS (SEE TABLE 1 F FOR DETAILS)	-



159P0034

Figure 15. Snack Tray Assembly (Part 1 of 2)

## Snack / Refreshment Center 2 Parts Manual

**TABLE 15. SNACK TRAY ASSEMBLY (PART 1 OF 2)**

INDEX	PART NUMBER	DESCRIPTION	QTY
-	1597001	TRAY ASSEMBLY - 5 SNACK (167, 764)	1
-	1607001	TRAY ASSEMBLY - 4 SNACK (168, 765, 784, 787)	1
1	-	SPIRAL (SEE TABLE 1 F FOR DETAILS)	-
2	1477175	WALL - TRAY (5 SNACK)	4
		WALL - TRAY (4 SNACK)	3
3	1477017	LATCH	2
4	5201267	PUSH ON RETAINER - .312	2
5	1577040	TRAY - 5 & 10 DIVISION (5 SNACK)	1
	1587003	TRAY - 4 & 8 DIVISION (4 SNACK)	
6	1477097	AXLE - TRAY ROLLER	2
7	1477148	ROLLER - TRAY	2
8	9900030	NUT #8-32 SELF - LOCKING (5 SNACK)	3
		NUT #8-32 SELF - LOCKING (4 SNACK)	2
9	5560113	WASHER - HOPPER RELEASE (5 SNACK)	3
		WASHER - HOPPER RELEASE (4 SNACK)	2
10	-	PRICE ROLLS (5 SNACK) (SEE TABLE XX)	5
	-	PRICE ROLLS (4 SNACK) (SEE TABLE XX)	4
11	1477157	HOLDER - PRICE & SELECTION (5 SNACK)	1
	1487016	HOLDER - PRICE & SELECTION (4 SNACK)	
12	1477134	RAIL - PRICE & SELECTION (5 SNACK)	1
	1487009	RAIL - PRICE & SELECTION (4 SNACK)	
13	2222031	TEE BOLT - TRIM (5 SNACK)	3
		TEE BOLT - TRIM (4 SNACK)	2

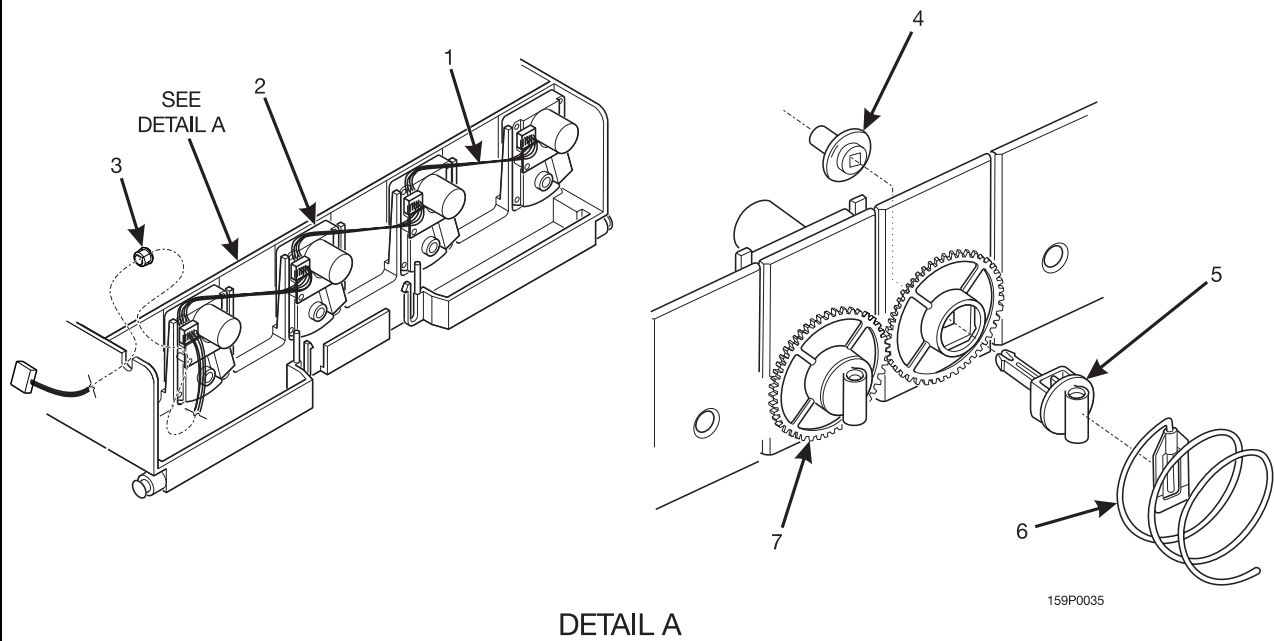


Figure 16. Snack Tray Assembly (Part 2 of 2)

## Snack / Refreshment Center 2 Parts Manual

**TABLE 16. SNACK TRAY ASSEMBLY (PART 2 OF 2)**

INDEX	PART NUMBER	DESCRIPTION	QTY
1	1599017	HARNESS - 5 MOTOR TRAY (167, 764)	1
	1599016	HARNESS - 4 MOTOR TRAY (168, 765, 784, 787)	
2	1577035	MOTOR & PCB ASSEMBLY (5 MOTOR TRAY)	5
		MOTOR & PCB ASSEMBLY (4 MOTOR TRAY)	4
3	3502097	BUSHING	1
4	1477022	BEARING - COUPLER (5 MOTOR TRAY)	5
		BEARING - COUPLER (4 MOTOR TRAY)	4
5	1477113	COUPLING - SPIRAL (5 MOTOR TRAY)	10
		COUPLING - SPIRAL (4 MOTOR TRAY)	8
6	-	SPIRALS (SEE TABLE 1 F FOR DETAILS)	-
7	1477020	GEAR - TRAY (5 MOTOR TRAY)	10
		GEAR - TRAY (4 MOTOR TRAY)	8

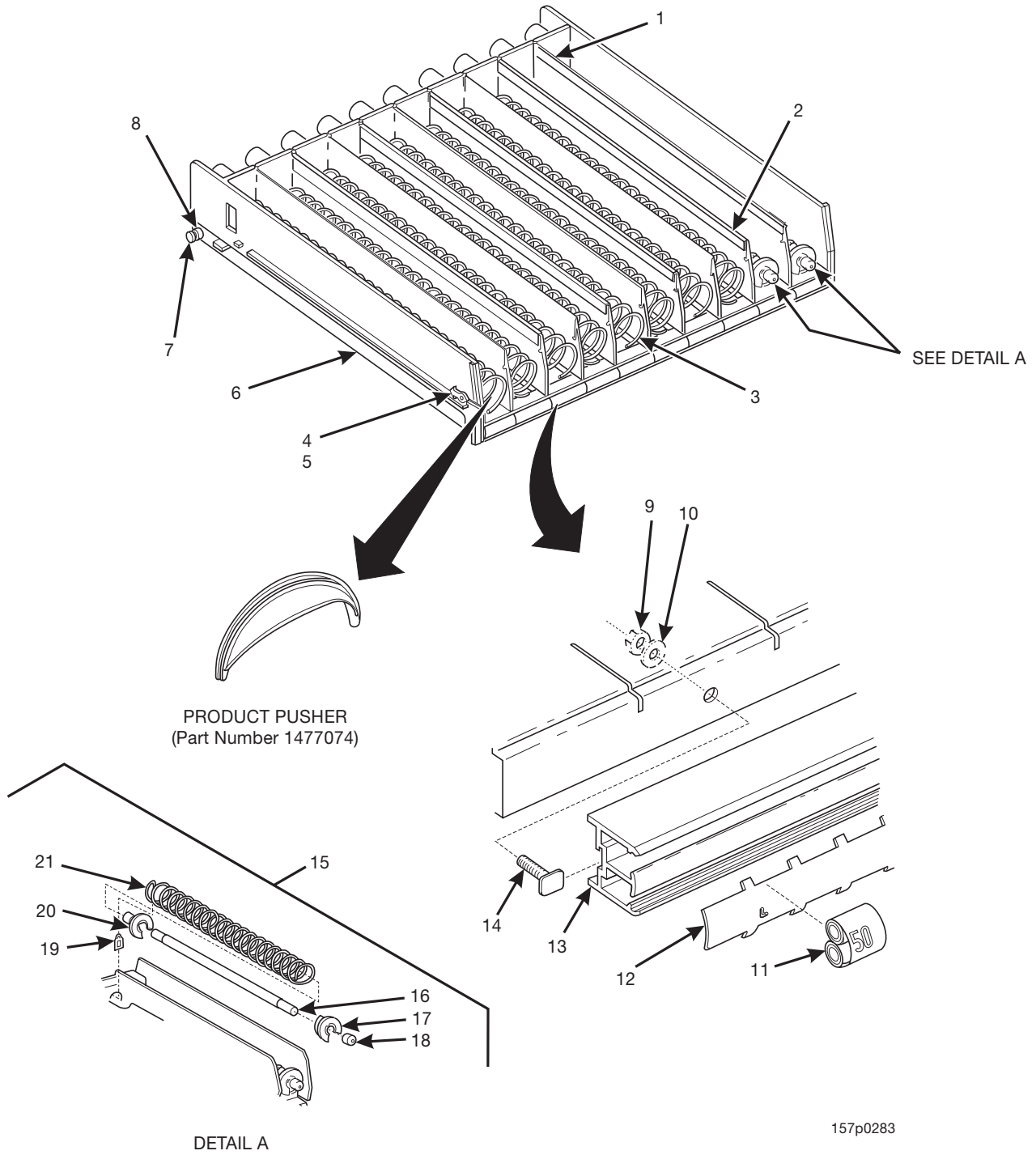
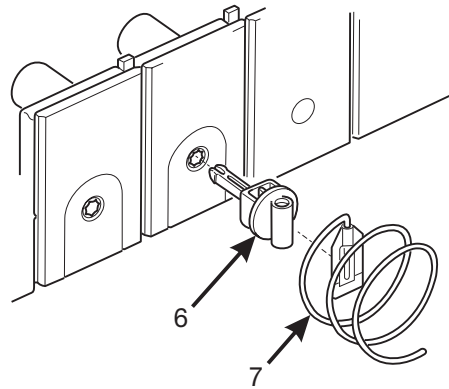
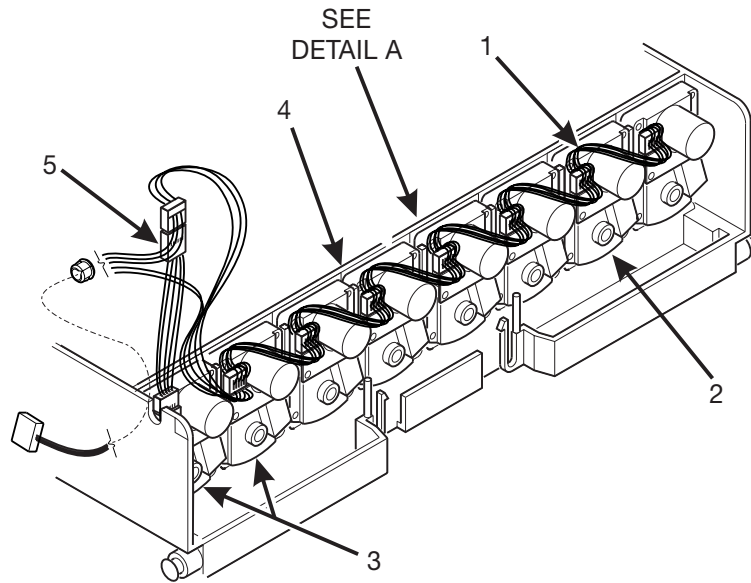


Figure 17. Gum and Mint Tray Assembly (Part 1 of 2)

## Snack / Refreshment Center 2 Parts Manual

**TABLE 17. GUM AND MINT TRAY ASSEMBLY (PART 1 OF 2)**

INDEX	PART NUMBER	DESCRIPTION	QTY
-	1597003	TRAY ASSEMBLY - 8 CANDY - 2 GUM (167, 764) (SHOWN)	1
	1607003	TRAY ASSEMBLY - 6 CANDY - 2 GUM (168, 765, 784, 787) (NOT SHOWN)	
	1677001	TRAY ASSEMBLY - 9 CANDY - 1 GUM (167) (NOT SHOWN)	
	1587005	TRAY ASSEMBLY - 7 CANDY - 1 GUM (168) (NOT SHOWN)	
1	1477175	WALL - TRAY (8 CANDY - 2 GUM) (9 CANDY - 1 GUM) (9 CANDY - 1 GUM)	9
		WALL - TRAY (6 CANDY - 2 GUM) (7 CANDY - 1 GUM) (7 CANDY - 1 GUM)	7
2	1677193	SPACER - ADJUSTABLE (8 CANDY - 2 GUM)	4
		SPACER - ADJUSTABLE (6 CANDY - 2 GUM) (7 CANDY - 1 GUM)	3
3	-	SPIRAL (SEE TABLE 1 F FOR DETAILS)	-
4	1477017	LATCH	2
5	5201267	PUSH ON RETAINER - .312	2
6	1577040	TRAY - 5 & 10 DIVISION (8 CANDY - 2 GUM) (9 CANDY - 1 GUM)	1
	1587003	TRAY - 4 & 8 DIVISION (6 CANDY - 2 GUM) (7 CANDY - 1 GUM)	2
7	1477097	AXLE - TRAY ROLLER	2
8	1477148	ROLLER - TRAY	2
9	9900030	NUT #8-32 SELF-LOCKING (8 CANDY - 2 GUM) (9 CANDY - 1 GUM)	3
		NUT #8-32 SELF-LOCKING (6 CANDY - 2 GUM) (7 CANDY - 1 GUM)	2
10	5560113	WASHER - HOPPER RELEASE (8 CANDY - 2 GUM) (9 CANDY - 1 GUM)	3
		WASHER - HOPPER RELEASE (6 CANDY - 2 GUM) (7 CANDY - 1 GUM)	2
11	-	PRICE ROLLS (8 CANDY - 2 GUM) (9 CANDY - 1 GUM)	10
		PRICE ROLLS (6 CANDY - 2 GUM) (7 CANDY - 1 GUM)	8
12	1477157	HOLDER - PRICE & SELECTION (8 CANDY - 2 GUM) (9 CANDY - 1 GUM)	1
	1487016	HOLDER - PRICE & SELECTION (6 CANDY - 2 GUM) (7 CANDY - 1 GUM)	
13	1477134	RAIL - PRICE & SELECTION (8 CANDY - 2 GUM) (9 CANDY - 1 GUM)	1
	1487009	RAIL - PRICE & SELECTION (6 CANDY - 2 GUM) (7 CANDY - 1 GUM)	
14	2222031	TEE BOLT - TRIM (8 CANDY - 2 GUM) (9 CANDY - 1 GUM)	3
		TEE BOLT - TRIM (6 CANDY - 2 GUM) (7 CANDY - 1 GUM)	2
15	1467127	SPIRAL ASSEMBLY - DUAL GUM & MINT (INCLUDES INDEX NUMBERS 16 - 21)	2
16	1467131	SPIRAL INSERT ASSEMBLY	1
17	1467129	DISC - SPIRAL INSERT	1
18	1467136	CAP - SPIRAL INSERT	2
19	1467130	DISC - SPIRAL INSERT	1
20	1467137	RETAINER - SPIRAL - ORANGE	1
21	1467128	SPIRAL - 2.65 DIAMETER - DUAL GUM & MINT	1



DETAIL A

159P0038

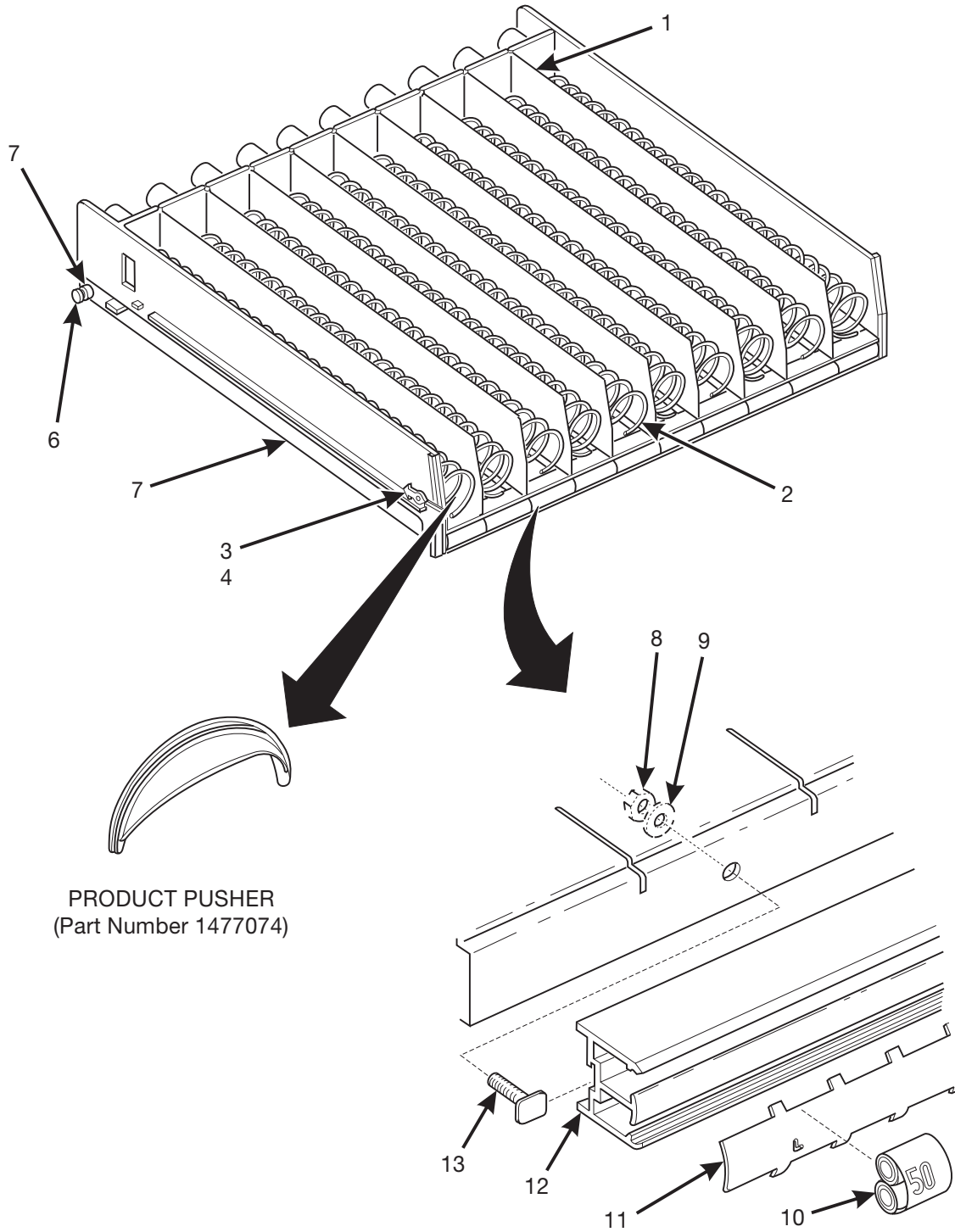
Figure 18. Gum and Mint Tray Assembly (Part 2 of 2)



## Snack / Refreshment Center 2 Parts Manual

**TABLE 18. GUM AND MINT TRAY ASSEMBLY (PART 2 OF 2)**

INDEX	PART NUMBER	DESCRIPTION	QTY
1	1599019	HARNESS - 10 MOTOR TRAY (167, 267, 764)	1
	1599018	HARNESS - 8 MOTOR TRAY (168, 268, 765, 784, 787)	
2	1577035	MOTOR & PCB ASSEMBLY (10 MOTOR TRAY)	8
		MOTOR & PCB ASSEMBLY (8 MOTOR TRAY)	6
3	1477114	MOTOR & PCB ASSEMBLY (ALL MODELS)	2
4	3502097	BUSHING	1
5	1477156	JUMPER ASSEMBLY - MOTOR REVERSING	1
6	1477113	COUPLING - SPIRAL (10 MOTOR TRAY)	10
		COUPLING - SPIRAL (8 MOTOR TRAY)	8
7	-	SPIRAL (SEE TABLE 1 F FOR DETAILS)	-



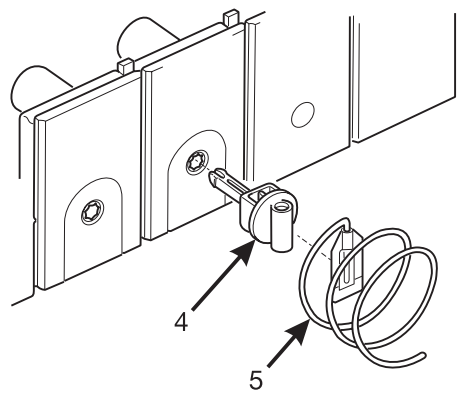
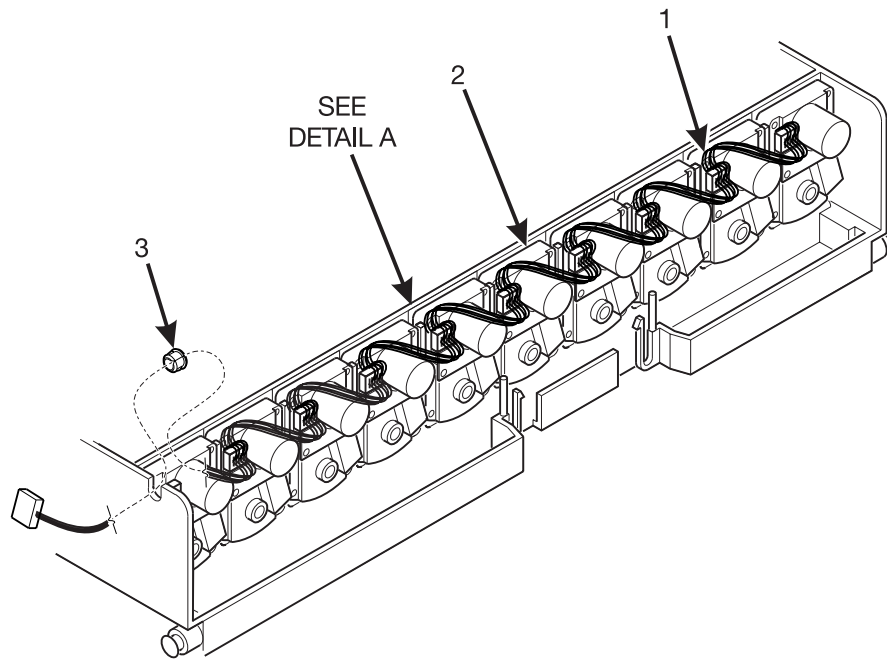
159p0033

Figure 19. Cigarette Tray Assembly (Part 1 of 2)

## Snack / Refreshment Center 2 Parts Manual

**TABLE 19. CIGARETTE TRAY ASSEMBLY (PART 1 OF 2)**

INDEX	PART NUMBER	DESCRIPTION	QTY
-	1587036	TRAY ASSEMBLY - 10 CIGARETTE	1
	1587006	TRAY ASSEMBLY - 8 CIGARETTE	
1	1477175	WALL - TRAY (267)	9
	1477175	WALL - TRAY (268)	7
2	-	SPIRAL (SEE TABLE 1 F FOR DETAILS)	-
3	1477017	LATCH	2
4	5201267	PUSH ON RETAINER - .312	2
5	1577040	TRAY - 5/10 DIVISION	1
	1587003	TRAY - 4/8 DIVISION	
6	1477097	AXLE - TRAY ROLLER	2
7	1477148	ROLLER - TRAY	2
8	9900030	NUT - #8-32 SELF-LOCKING	2
9	5560113	WASHER - HOPPER RELEASE (267)	3
	5560113	WASHER - HOPPER RELEASE (268)	2
10	-	PRICE ROLLS (10 CIGARETTE)	-
		PRICE ROLLS (8 CIGARETTE)	
11	1477157	HOLDER - PRICE & SELECTION	1
	1487016	HOLDER - PRICE & SELECTION	
12	1477134	RAIL - PRICE & SELECTION	1
	1487009	RAIL - PRICE & SELECTION	
13	2222031	TEE BOLT - TRIM	3



159PO025

DETAIL A

Figure 20. Cigarette Tray Assembly (Part 2 of 2)

## Snack / Refreshment Center 2 Parts Manual

**TABLE 20. CIGARETTE TRAY ASSEMBLY (PART 2 OF 2)**

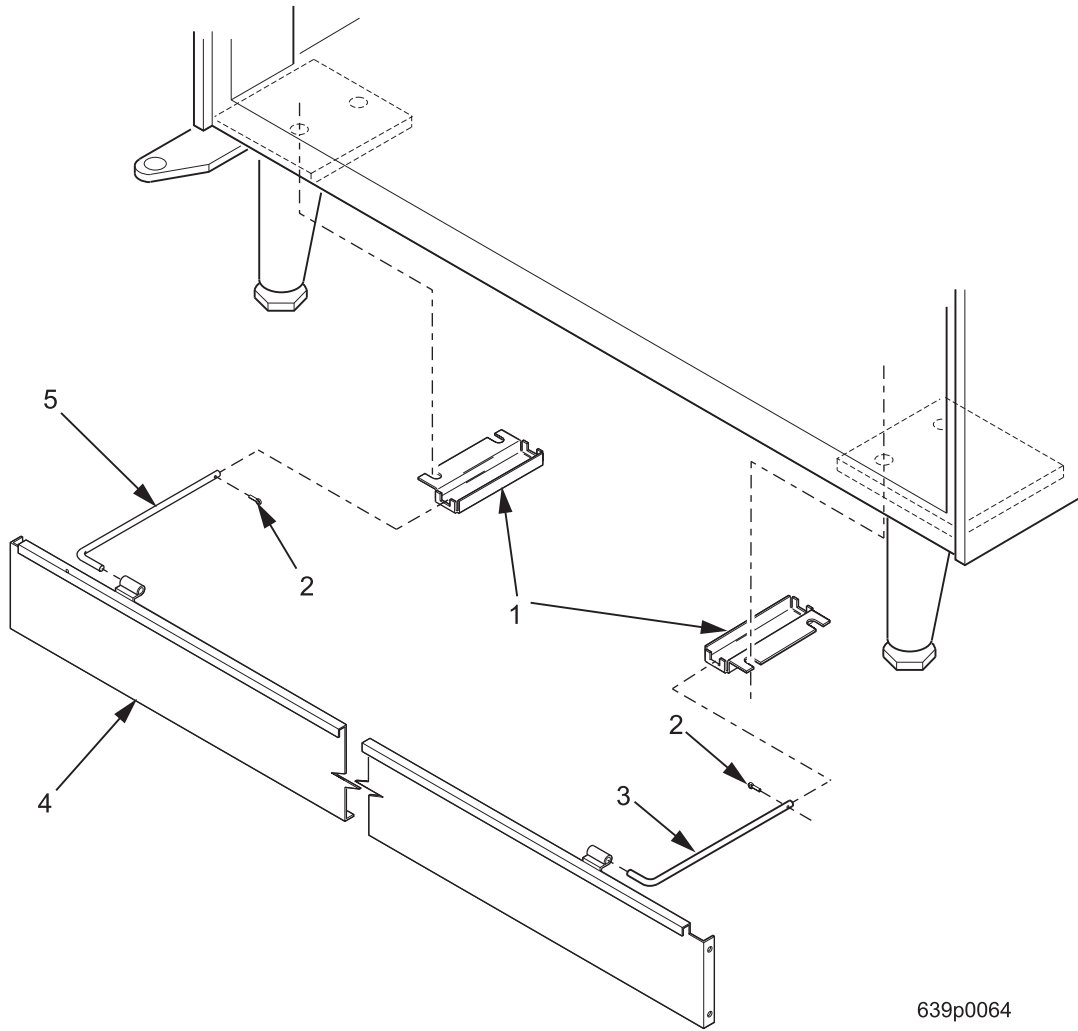
INDEX	PART NUMBER	DESCRIPTION	QTY
1	1599018	HARNESS - 8 MOTOR (268)	1
1	1599019	HARNESS - 10 MOTOR (267)	1
2	1577035	MOTOR & PC BOARD ASSEMBLY (268)	8
2	1577035	MOTOR & PC BOARD ASSEMBLY (267)	10
3	3502907	BUSHING	1
4	1477113	COUPLING - SPIRAL (268)	8
4	1477113	COUPLING - SPIRAL (267)	10
5	-	SPIRAL (SEE TABLE 1 F FOR DETAILS)	-

**TABLE 1 E. PRICE ROLLS (FOR TRAYS)**

PART NUMBER	DESCRIPTION
1477014	ROLL - PRICE - CENTS
1477015	ROLL - PRICE - DOLLARS
1472273	PRICE ROLL - U.K. - 1L/10L, 40P/95P
1472274	PRICE ROLL - U.K. - 1L/10L, 8P/35P
1477123	PRICE ROLL - 0 TO 25 - U.K./GER/FR

**TABLE 1 F. SPIRAL OPTIONS**

		LEFT HAND		RIGHT HAND		
SPIRAL COUNT	RETAINER COLOR	ASSEMBLY	SPIRAL	ASSEMBLY	SPIRAL	RETAINER
5	-	-	1477178	-	1477179	-
6	PURPLE	1477103	1477102	1477105	1477104	1477107
8	-	-	1677190	-	1677189	-
9	GRAY	1477152	1477153	1477149	1477150	1477155
10	-	-	1677188	-	1677187	-
11	BLUE	1477023	1477024	1477026	1477027	1457061
13	YELLOW	1477029	1477030	1477032	1477033	1457062
15	RED	1477035	1477036	1477038	1477039	1457063
17	BROWN	1477101	1477100	1477099	1477098	1477106
20	WHITE	1477041	1477042	1477044	1477045	1457064
25	GREEN	1477047	1477048	1477050	1477051	1457065
30	BLACK	1477053	1477054	1477056	1477057	1477073



639p0064

Figure 21. Base Plate Assembly (Standard Shown)

## Snack / Refreshment Center 2 Parts Manual

**TABLE 21. BASE PLATE ASSEMBLY (STANDARD SHOWN)**

INDEX	PART NUMBER	DESCRIPTION	QTY
1	6231087	BRACKET - BASE PLATE	2
2	9900098	COTTER PIN, 3/32	2
3	1411194	SLIDE - BASE PLATE - RIGHT HAND	1
4	1581023	BASE PLATE ASSEMBLY - 32" (IMPERIAL CROWN & SIGNATURE STYLING) (168, 268, 765, 784, 787)	1
	2271408	BASE PLATE ASSEMBLY - 38" (IMPERIAL CROWN & SIGNATURE STYLING) (167, 267, 764)	
	1581051	BASE PLATE ASSEMBLY - 32" (MILLENNIA STYLING) (168, 268, 765, 784, 787)	
	1571161	BASE PLATE ASSEMBLY - 38" (MILLENNIA STYLING) (167, 267, 764)	
5	1411195	SLIDE - BASE PLATE - LEFT HAND	1

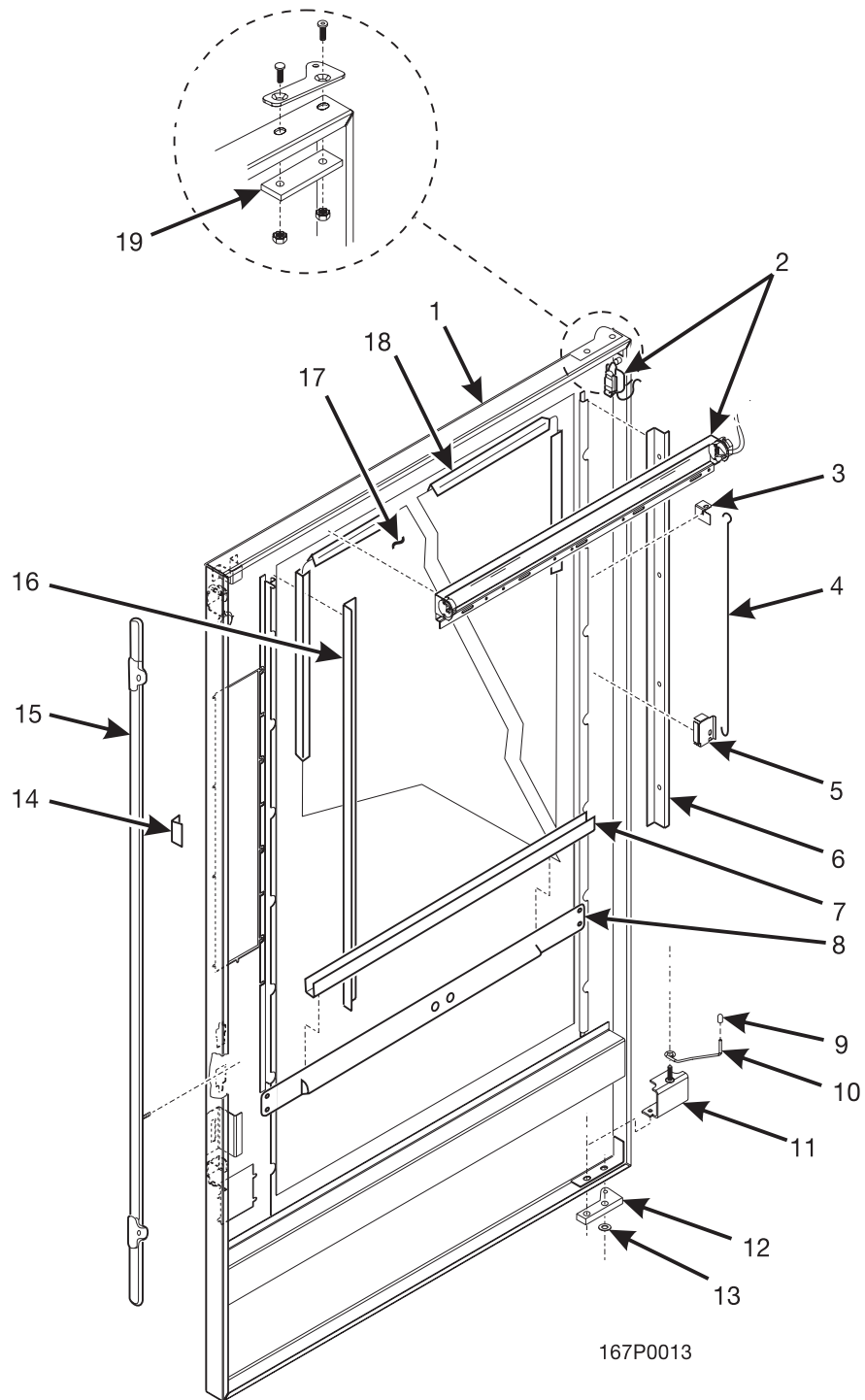


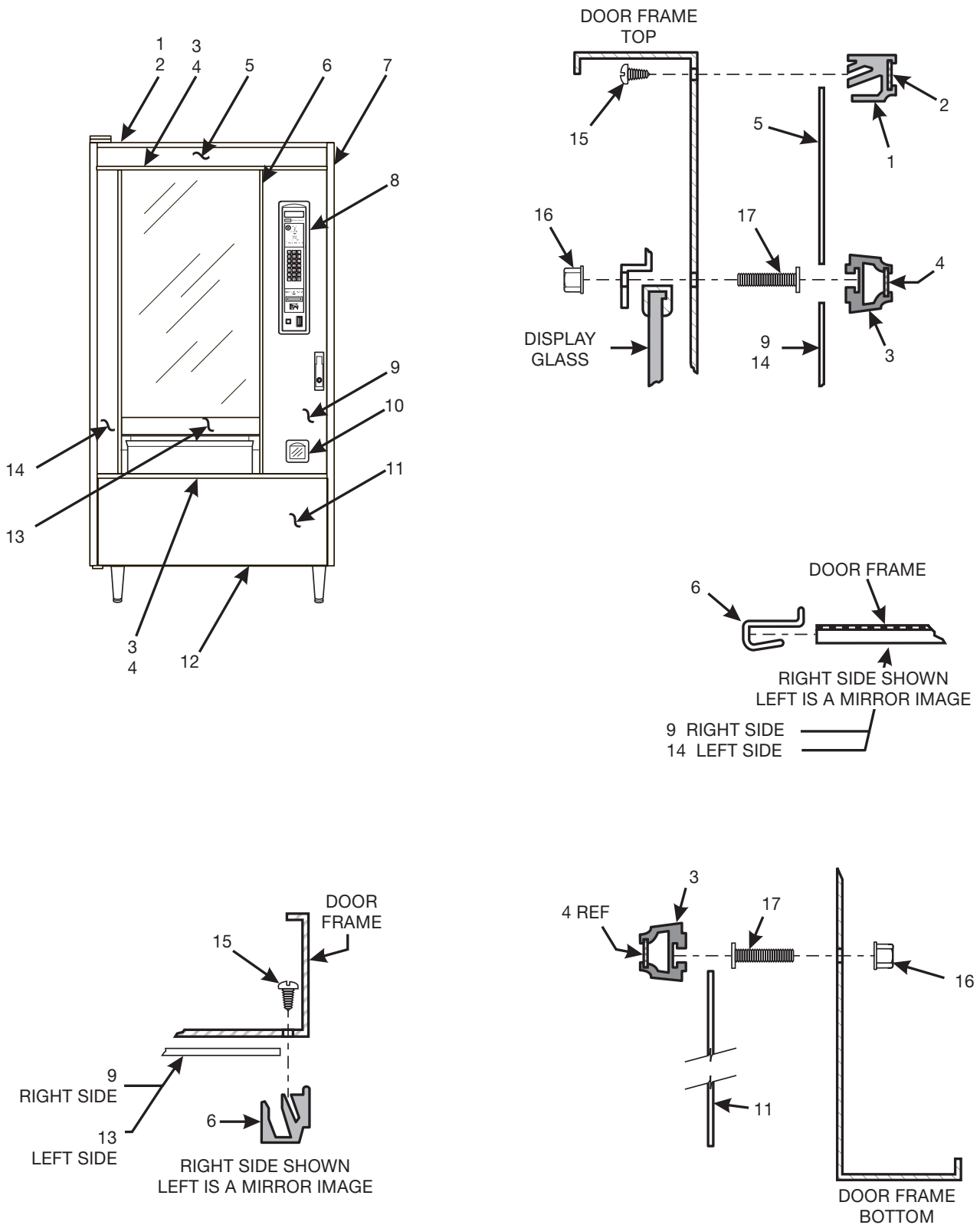
Figure 22. Door Assembly (Imperial Crown and Signature Styling)



## Snack / Refreshment Center 2 Parts Manual

**TABLE 22. DOOR ASSEMBLY (IMPERIAL CROWN AND SIGNATURE STYLING)**

INDEX	PART NUMBER	DESCRIPTION	QTY
1	1572225	WELD ASSEMBLY - DOOR - NV BLACK (167, 267, 764)	1
	1582069	WELD ASSEMBLY - DOOR - NV BLACK (168, 268, 765, 784, 787)	
2	-	UPPER DOOR LIGHT ASSEMBLY 7 BALLAST (SEE FIGURE 30 FOR DETAILS)	1
3	1572028	RETAINER-ROD SUPPORT-COMMON	1
4	1479140	ROD - SUPPORT - GUM & MINT	1
5	1572027	SUPPORT - PROP ROD - COMMON	1
6	1572020	RETAINER - GLASS (167,168, 267, 268, 764, 765, 784, 787)	1
	4972107	RETAINER - GLASS W/ SIDE LIGHT (784, 787) (SEE FIGURE 25 FOR DETAILS)	
7	1402120	CHANNEL - GLASS - LOWER (167, 267, 764)	1
	1582074	CHANNEL - GLASS - LOWER (168, 268, 765, 784, 787)	
8	1472220	PANEL ASSEMBLY - GLASS - LOWER (167, 267, 764)	1
	4972043	PANEL ASSEMBLY - GLASS - LOWER (168, 268, 765, 784, 787)	
9	1571037	CAP - VINYL - .281 ID X .50 LONG	1
10	1572009	ROD - DOOR CHECK	1
11	1572007	WELD ASSEMBLY - DOOR CHECK	1
12	6232031	HINGE ASSEMBLY - DOOR - LOWER	1
13	4242145	BEARING - THRUST - LOWER HINGE	1
14	1472250	GUIDE - LOCK BAR	1
15	1472178	LOCK BAR ASSEMBLY	1
16	1472048	PLATE - GLASS RETAINING	1
-	1451097	SCREW (ATTACHING PART FOR INDEX # 21)	7
17	1452059	GLASS - DISPLAY (167, 267, 764)	1
	1582075	GLASS - DISPLAY (168, 268, 765, 784, 787)	
18	6232092	EXTRUSION - GLASS CHANNEL - 112.28 IN. LONG (167, 267, 764)	1
	6232092	EXTRUSION - GLASS CHANNEL - 106.16 IN. LONG (168, 268, 765, 784, 787)	
19	6232028	PLATE ASSEMBLY - HINGE MOUNTING	1



157P0279

Figure 23. Common Trim and Panel Components

## Snack / Refreshment Center 2 Parts Manual

**TABLE 23. COMMON TRIM AND PANEL COMPONENTS**

INDEX	PART NUMBER	DESCRIPTION	QTY
1	1302484	TRIM - DOOR - TOP - CLEAR (IMPERIAL CROWN) (167, 267, 764)	1
	1452229	TRIM - DOOR - TOP - BLACK (SIGNATURE) (167, 267, 764)	
	1482110	TRIM - DOOR - TOP - CLEAR (IMPERIAL CROWN) (168, 268, 765, 784, 787)	
	1482127	TRIM - DOOR TOP - BLACK (SIGNATURE) 168, 268, 764, 784, 787)	
2	1302479	TRIM INSERT - BLACK (167, 267, 764)	1
	1482111	TRIM INSERT - BLACK (168, 268, 764, 784, 787)	1
3	1302478	TRIM - DOOR - HORIZONTAL - CLEAR (167, 267, 764)	1
	1482112	TRIM - DOOR - HORIZONTAL - CLEAR (168, 268, 764, 784, 787)	1
4	1302479	TRIM INSERT - BLACK (167, 267, 764)	1
	1482111	TRIM INSERT - BLACK (168, 268, 764, 784, 787)	
5	-	PANEL - TOP TRIM (MODELS 167, 267, 764) (SEE FIGURE 1 G FOR DETAILS)	1
	-	PANEL - TOP TRIM (MODELS 168, 268, 764, 765 & 787) (SEE FIGURE 1 H FOR DETAILS)	
6	1472190	TRIM - VERTICAL	2
7	1302409	TRIM - DOOR SIDE - CLEAR (IMPERIAL)	2
	1452203	TRIM - DOOR SIDE - BLACK (SIGNATURE)	
8	1575047	CASTING - MONETARY FRAME - BLACK	1
9	-	TRIM PANEL - RIGHT HAND (SEE FIGURE 1 I FOR DETAILS)	1
10	1572011	TRIM - COIN CUP - BLACK	1
11	-	TRIM PANEL - BOTTOM (MODELS 167, 267, 764) (SEE FIGURE 1 J FOR DETAILS)	1
	-	TRIM PANEL - BOTTOM (MODELS 168, 268, 764, 765 & 787) (SEE FIGURE 1 K FOR DETAILS)	
12	6232099	EDGE PROTECTOR - BOTTOM (167, 267, 764)	1
	1482003	EDGE PROTECTOR - BOTTOM (168, 268, 764, 784, 787)	
-	1451097	SCREW	5
-	6342038	PLUG (168, 268, 764, 784, 787)	1
13	1462081	TRIM - PANEL - GLASS LOWER (168, 268, 765, 784, 787)	1
	1452177	TRIM - PANEL - GLASS LOWER (167, 267, 764)	
14	-	TRIM PANEL - LEFT HAND (MODELS 167, 267, 764) (SEE FIGURE 1 L FOR DETAILS)	1
	-	TRIM PANEL - LEFT HAND (MODELS 168, 268, 764, 765 & 787) (SEE FIGURE 1 M FOR DETAILS)	
15	1302282	SCREW #6X3/8 RHS T/C	23
16	9900081	NUT #8-32 W/LW	14
17	2222110	T-BOLT TRIM - 3/8"	8

## Snack / Refreshment Center 2 Parts Manual

**TABLE 1 G. TOP TRIM PANEL OPTIONS (INDEX # 5) - MODELS 167, 267, 764  
(IMPERIAL CROWN AND SIGNATURE STYLES)**

<b>PART NUMBER</b>	<b>DESCRIPTION</b>
1452062	PRES WALNUT
1452116	ENAMELED
1452117	FORMICA SPCL
1452118	TEAK
1452183	VINYL SPCL
1452225	BLACK HAIRCEL
1572128	NU WHITE
3152447	STERLING
3152573	WHITE HAIRCEL
4302284	DOVE GREY
4302290	PEWTER
4302373	BISON BLACK
6232224	SLATE
6232309	BLACK PICA

**TABLE 1 H. TOP TRIM PANEL OPTIONS (INDEX # 5) - MODELS 168, 268, 764, 765 & 787  
(IMPERIAL CROWN AND SIGNATURE STYLES)**

<b>PART NUMBER</b>	<b>DESCRIPTION</b>
1482106	PRES. WALNUT
1482114	DOVE
1482116	SLATE
1482123	BLK. HAIRCEL
1482144	ROSEWOOD
1482147	TEAK
1482178	FORMICA SPCL
1482229	STERLING
1482231	ENAMELED
1482240	WHITE HAIRCEL
1482245	BLACK PICA
1482248	BISON BLACK
1582006	NUWHITE
1582015	COMP. OAK
4742004	VINYL SPCL

**TABLE 1 I. RIGHT HAND TRIM PANEL OPTIONS (INDEX # 9)  
(IMPERIAL CROWN AND SIGNATURE STYLES)**

PART NUMBER	DESCRIPTION
1572054	DOVE GREY - NO COIN
1572101	STERLING
1572193	PORT AU PRINCE - NO COIN
1572106	BLACK PICA
1572109	BLACK HAIRCEL
1572115	COMP. OAK
1572118	DOVE GREY
1572120	BLACK PICA - NO COIN
1572121	STERLING - NO COIN
1572123	ENAMELED
1572126	FORMICA SPECIAL
1572130	NU WHITE
1572139	MOROCCO GREY
1572141	PEWTER
1572144	PLATINUM GREY
1572149	PRES. WALNUT
1572152	SLATE
1572155	STAINLESS STEEL
1572157	TEAK
1572160	VINYL SPECIAL
1572163	WHITE HAIRCEL
1572168	PRES. WALNUT - NO COIN
1572171	BISON BLACK
1572195	PORT AU PRINCE

## Snack / Refreshment Center 2 Parts Manual

**TABLE 1 J. BOTTOM TRIM PANEL OPTIONS (INDEX # 11) - MODELS 167, 267, 764  
(IMPERIAL CROWN AND SIGNATURE STYLES)**

<b>PART NUMBER</b>	<b>DESCRIPTION</b>
1572102	STERLING
1572104	BISON BLACK
1572107	BLACK PICA
1572110	BLACK HAIRCEL
1572116	COMP. OAK
1572119	DOVE GREY
1572124	ENAMELED
1572127	FORMICAL SPECIAL
1572131	NU WHITE
1572142	PEWTER
1572145	PLATINUM GREY
1572150	PRES. WALNUT
1572153	SLATE
1572158	TEAK
1572161	VINYL SPECIAL
1572164	WHITE HAIRCEL

## Snack / Refreshment Center 2 Parts Manual

**TABLE 1 K. BOTTOM TRIM PANEL OPTIONS (INDEX # 11) - MODELS 168, 268, 765, 784, 787 (IMPERIAL CROWN AND SIGNATURE STYLES)**

<b>PART NUMBER</b>	<b>DESCRIPTION</b>
1482196	COMP. OAK
1482198	PLATINUM GREY
1482209	ROSEWOOD
1482210	TEAK
1482214	BLACK HAIRCEL
1482222	STERLING
1482223	PRES. WALNUT
1482225	DOVE
1482226	SLATE
1482227	FORMICAL SPECIAL
1482232	ENAMELED
1482242	WHITE HAIRCEL
1482247	BLACK PICA
1482250	BISON BLACK
1582008	NUWHITE
4742005	VINYL SPCL

## Snack / Refreshment Center 2 Parts Manual

**TABLE 1 L. LEFT HAND TRIM PANEL OPTIONS (INDEX # 14) - MODELS 167, 267, 764  
(IMPERIAL CROWN AND SIGNATURE STYLES)**

PART NUMBER	DESCRIPTION
1572100	STERLING
1572105	BLACK PICA
1572108	BLACK HAIRCEL
1572114	COMP. OAK
1572117	DOVE GREY
1572122	ENAMELED
1572125	FORMICA SPCL
1572129	NU WHITE
1572138	MOROCCO GREY
1572140	PEWTER
1572143	PLATINUM GREY
1572148	PRES. WALNUT
1572151	SLATE
1572154	STAINLESS STEEL
1572156	TEAK
1572159	VINYL SPCL
1572162	WHITE HAIRCEL
1572172	BISON BLACK
1572194	PORT AU PRINCE



## Snack / Refreshment Center 2 Parts Manual

**TABLE 1 M. LEFT HAND TRIM PANEL OPTIONS (INDEX # 14) - MODELS 168, 268, 765, 784, 787  
(IMPERIAL CROWN AND SIGNATURE STYLES)**

PART NUMBER	DESCRIPTION
1482124	DOVE
1482139	PORT AU PRINCE
1482143	ROSEWOOD
1482146	TEAK
1482169	PRES. WALNUT
1482174	PEWTER
1482177	FORMICA SPCL
1482189	SLATE
1482197	COMP. OAK
1482199	PLATINUM GREY
1482204	BLK. HAIRCEL
1482221	STERLING
1482233	ENAMELED
1482241	WHITE HAIRCEL
1482246	BLACK PICA
1482249	MOROCCO GREY
1582007	NUWHITE
1572172	BISON BLACK
4742006	VINYL SPCL

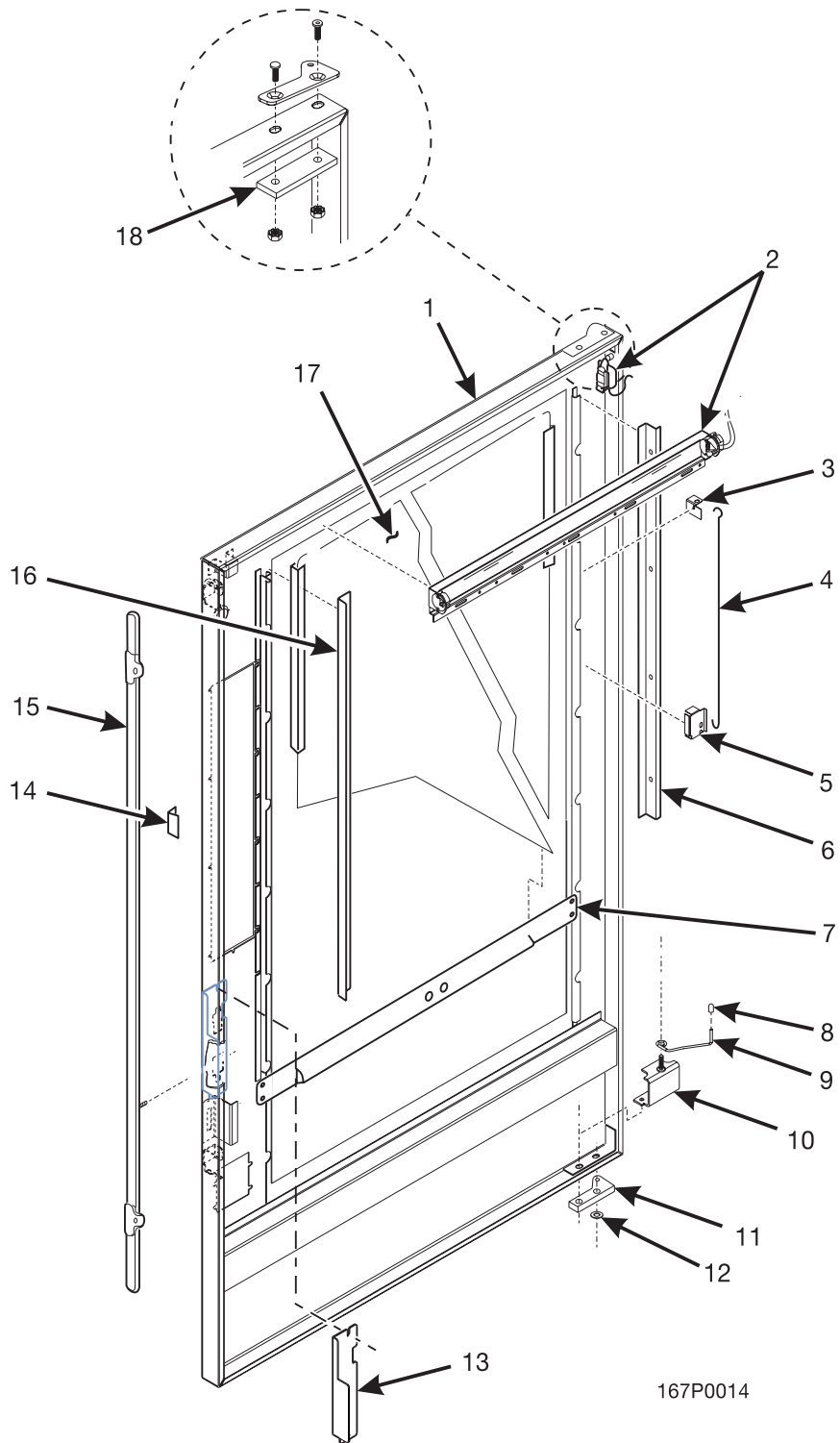


Figure 24. Door Assembly (Millennia Styling)

## Snack / Refreshment Center 2 Parts Manual

**TABLE 24. DOOR ASSEMBLY (MILLENNIA STYLING)**

INDEX	PART NUMBER	DESCRIPTION	QTY
1	1572225	WELD ASSEMBLY - DOOR - NV BLACK (167, 267, 764)	1
	1582069	WELD ASSEMBLY - DOOR - NV BLACK (168, 268, 765, 784, 787)	
	4872006	WELD ASSEMBLY - DOOR - MILL - SELECTA WHITE (USED ON MILLENNIA - SELECTA WHITE STYLING ONLY)	
2	-	UPPER DOOR LIGHT ASSEMBLY & BALLAST (SEE FIGURE 30 FOR DETAILS)	1
3	1572028	RETAINER-ROD SUPPORT-COMMON	1
4	1479140	ROD - SUPPORT - GUM & MINT	1
5	1572027	SUPPORT - PROP ROD - COMMON	1
6	1572020	RETAINER - GLASS W/O SIDE LIGHT (SHOWN) (167,168, 267, 268, 764, 765, 784, 787)	1
	4972107	RETAINER - GLASS W/ SIDE LIGHT (784, 787) (SEE FIGURE 25 FOR DETAILS)	
	4872015	RETAINER - GLASS - LG (SELECTA WHITE ONLY)	
7	-	HORIZONTAL TRIM & GLASS CHANNEL ASSEMBLY (SEE FIGURE 26 FOR DETAILS)	1
8	1571037	CAP - VINYL - .281 ID X .50 LONG	1
9	1572009	ROD - DOOR CHECK	1
10	1572007	WELD ASSEMBLY - DOOR CHECK	1
11	6232031	HINGE ASSEMBLY - DOOR - LOWER	1
12	6232031	HINGE ASSEMBLY - DOOR - LOWER - SELECTA WHITE	
13	1572196	CHANNEL - FILLER - LOCK	1
14	1472250	GUIDE - LOCK BAR	1
15	1472178	LOCK BAR ASSEMBLY	1
16	1472048	PLATE - GLASS RETAINING	1
17	1572228	GLASS - CURVED FRONT - 38.13" SNACK (167, 267, 764) (SEE FIGURE 25 FOR DETAILS)	1
	1582079	GLASS - CURVED FRONT - 32" SNACK (168, 268, 765, 784, 787) (SEE FIGURE 25 FOR DETAILS)	
18	6232028	PLATE ASSEMBLY - HINGE MOUNTING	1

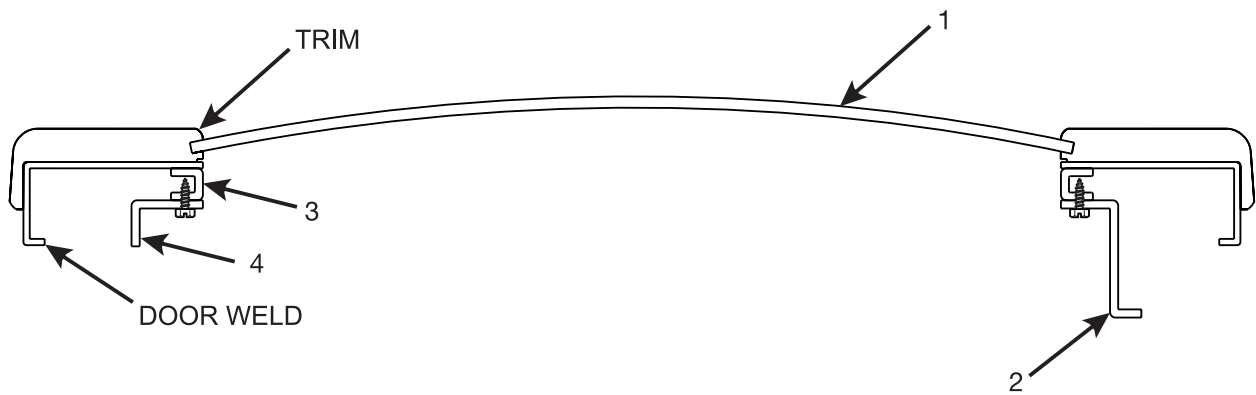
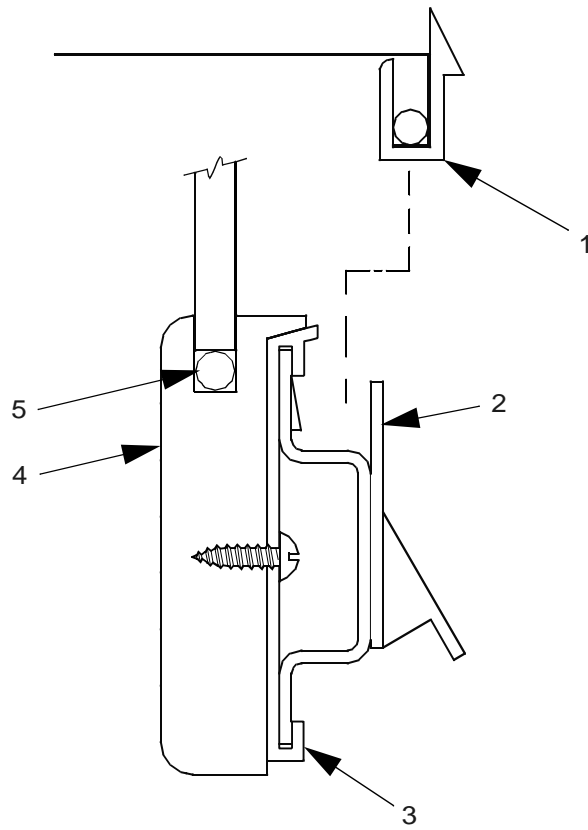


Figure 25. Door Glass and Glass Retaining Components (Millennia Styling)

## Snack / Refreshment Center 2 Parts Manual

**TABLE 25. DOOR GLASS AND GLASS RETAINING COMPONENTS (MILLENNIA STYLING)**

<b>INDEX</b>	<b>PART NUMBER</b>	<b>DESCRIPTION</b>	<b>QTY</b>
1	1582079	GLASS - CURVED FRONT - 32" - SNACK	1
2	4972107	RETAINER - GLASS W/ SIDE LIGHT	REF
2	1572020	RETAINER - GLASS W/O SIDE LIGHT	REF
3	1572243	GLASS - RETAINER - SPACER	2
4	1472048	GLASS RETAINING PLATE	REF



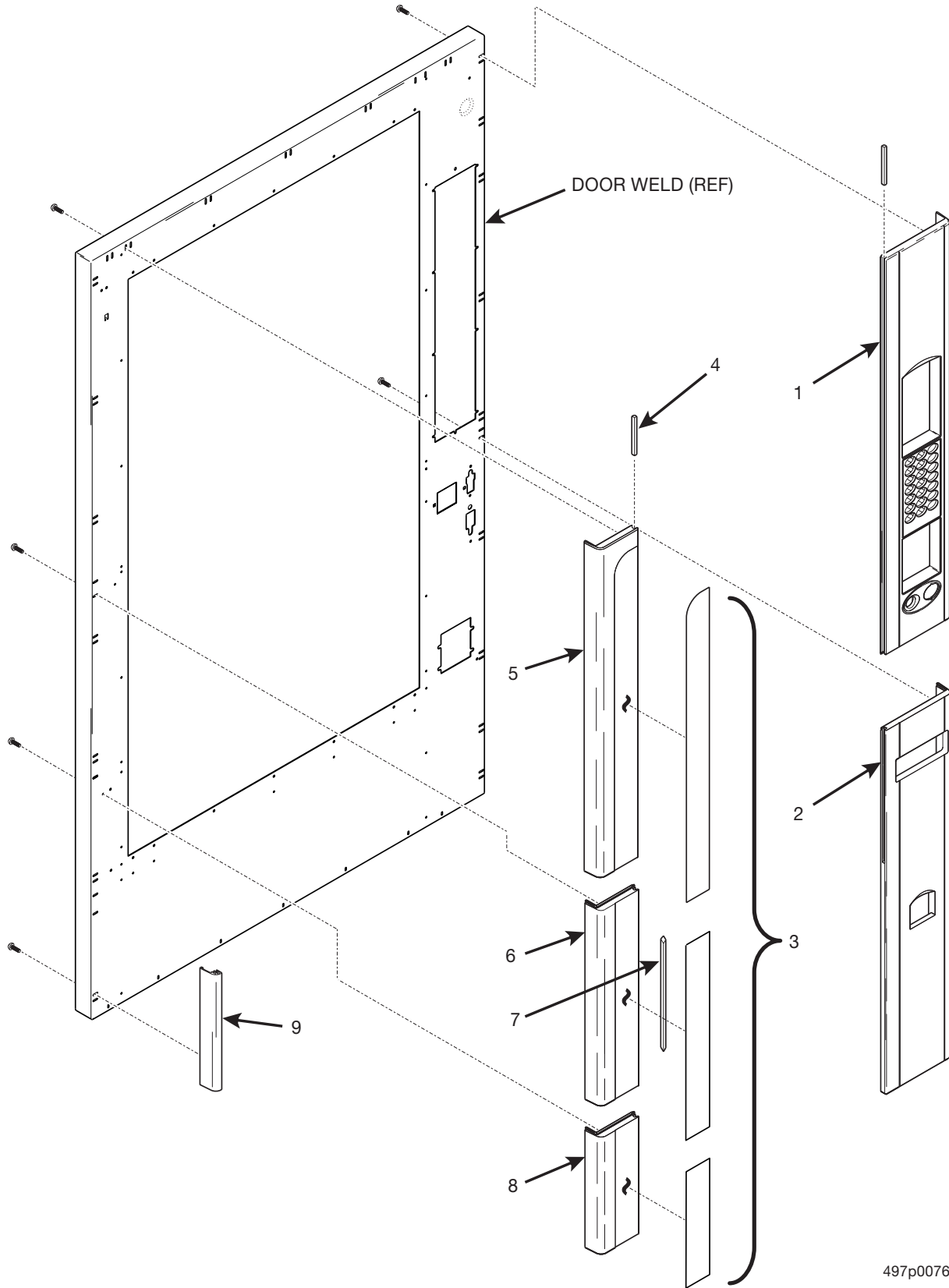
157p0278

Figure 26. Horizontal Trim and Glass Channel Assembly (Millennia Styling)

## Snack / Refreshment Center 2 Parts Manual

**TABLE 26. HORIZONTAL TRIM AND GLASS CHANNEL ASSEMBLY (MILLENNIA STYLING)**

INDEX	PART NUMBER	DESCRIPTION	QTY
-	1572376	HORIZONTAL TRIM & GLASS CHANNEL ASSEMBLY (167, 267, 764)	1
	1582141	HORIZONTAL TRIM & GLASS CHANNEL ASSEMBLY (168, 268, 765, 784, 787)	
1	1572247	CHANNEL & DELECTOR ASSEMBLY (167, 267, 764)	1
	1582095	CHANNEL & DELECTOR ASSEMBLY (168, 268, 765, 784, 787)	
2	1472220	PANEL ASSEMBLY - GLASS LOWER (167, 267, 764)	1
	1602026	PANEL ASSEMBLY - GLASS LOWER (168, 268, 765, 784, 787)	
3	1572233	PANEL - LOWER TRIM - W/HOLES & PTD. (167, 267, 764)	1
	1582084	PANEL - LOWER TRIM - W/HOLES & PTD. (168, 268, 765, 784, 787)	
4	1572219	HORIZONTAL TRIM - UPPER - 38" J1 (167, 267, 764)	1
	1582201	HORIZONTAL TRIM - UPPER - J (168, 268, 765, 784, 787)	
5	1572235	GASKET - GLASS (167, 267, 764)	1
	1582093	GASKET - GLASS (168, 268, 765, 784, 787)	



497p0076

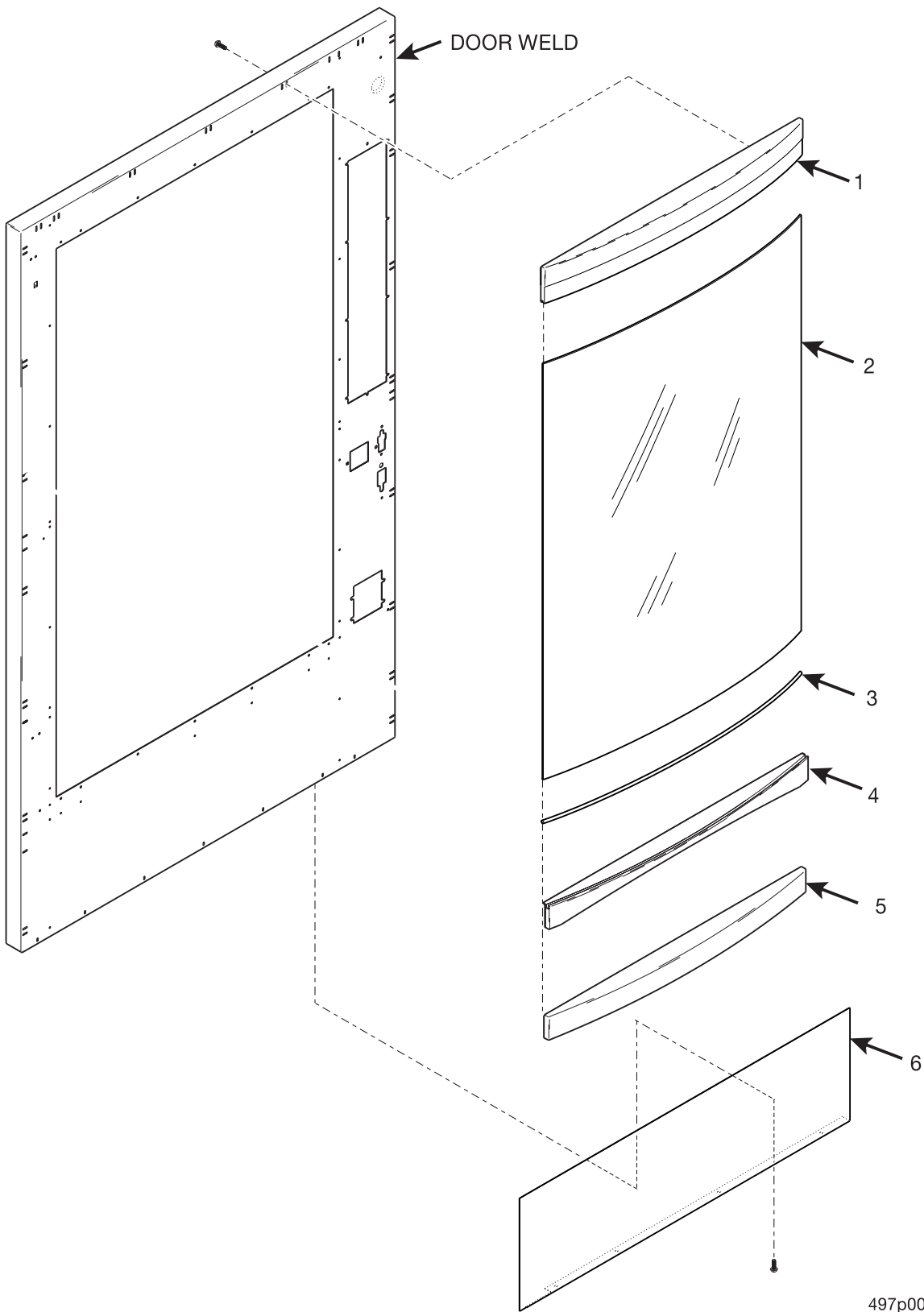
Figure 27. Common Trim and Panel Components - Millennium Styling (Part 1 of 2)



## Snack / Refreshment Center 2 Parts Manual

**TABLE 27. COMMON TRIM AND PANEL COMPONENTS - MILLENNIA STYLING (PART 1 OF 2)**

INDEX	PART NUMBER	DESCRIPTION	QTY
1	1572213	RIGHT HAND TRIM - UPPER - A-21	1
2	1572214	RIGHT HAND TRIM - LOWER - B	1
3	1572258	DECAL - DOOR TRIM VERTICAL ASSEMBLY (INCLUDES DECALS FOR INDEX #'S 5, 6 & 8)	1
4	1572259	FILLER - GROOVE - SHORT	2
	4872018	FILLER - GROOVE - SHORT (SELECTA WHITE)	
5	4552058	TRIM - UPPER - LEFT HAND - "C"	1
	4872007	LEFT HAND TRIM - UPPER - C (SELECTA WHITE)	
6	4552059	TRIM - MIDDLE - LEFT HAND - "D"	1
	4872008	LEFT HAND TRIM - MIDDLE - D (SELECTA WHITE)	
7	1572260	FILLER - GROOVE - LONG	1
	4872019	FILLER - GROOVE - LONG (SELECTA WHITE)	
8	4552060	TRIM - BOTTOM - LEFT HAND - "E"	1
	4872008	LEFT HAND TRIM - BOTTOM - E (SELECTA WHITE)	
9	1572267	TRIM - LOWER - DOOR SIDE - GRAY	1
	1572324	TRIM - LOWER - DOOR SIDE - BLACK	
	4872013	TRIM - LOWER - DOOR SIDE - SELECTA WHITE	



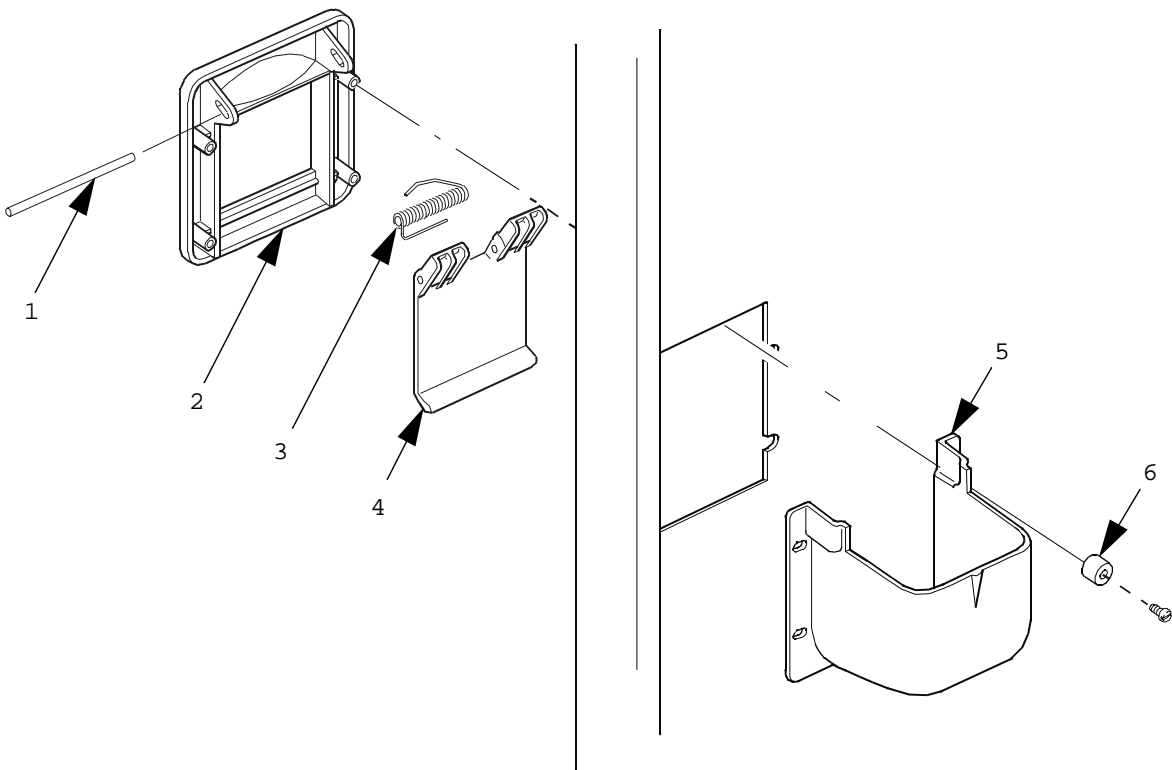
497p0077

Figure 28. Common Trim and Panel Components - Millennium Styling (Part 2 of 2)

## Snack / Refreshment Center 2 Parts Manual

**TABLE 28. COMMON TRIM AND PANEL COMPONENTS - MILLENNIA STYLING (PART 2 OF 2)**

INDEX	PART NUMBER	DESCRIPTION	QTY
1	1572218	HORIZONTAL TRIM - TOP - 38" - H1 (167, 267, 764)	1
	1582200	HORIZONTAL TRIM - TOP - 32" - H (168, 268, 765, 784, 787)	
	4872011	HORIZONTAL TRIM - TOP - 32" - SELECTA WHITE	
-	1572236	DECAL - DOOR TRIM HORIZ. - 38 IN.	1
	1582086	DECAL - DOOR TRIM HORIZ. - 32 IN.	
2	1572228	GLASS - CURVED FRONT - 38.13" - SNACK (167, 267, 764)	1
	1582079	GLASS - CURVED FRONT - 32" - SNACK (168, 267, 765, 784, 787)	
3	1582093	GASKET - GLASS	1
4	1572219	HORIZONTAL TRIM - UPPER - 38" - J1 (167, 267, 764)	1
	1582201	HORIZONTAL TRIM - UPPER - J (168, 268, 765, 784, 787)	
5	1572220	HORIZONTAL TRIM - LOWER - 38" - K1 (167, 267, 764)	1
	1582202	HORIZONTAL TRIM - LOWER - K (168, 268, 765, 784, 787)	
6	1572327	PANEL - BOTTOM TRIM - GRAY (167, 267, 764)	1
	1582115	PANEL - BOTTOM TRIM - GRAY (168, 268, 765, 784, 787)	
	1582116	PANEL - BOTTOM TRIM - BLACK (168, 268, 765, 784, 787)	
	4872012	PANEL - BOTTOM TRIM - SELECTA WHITE (32")	



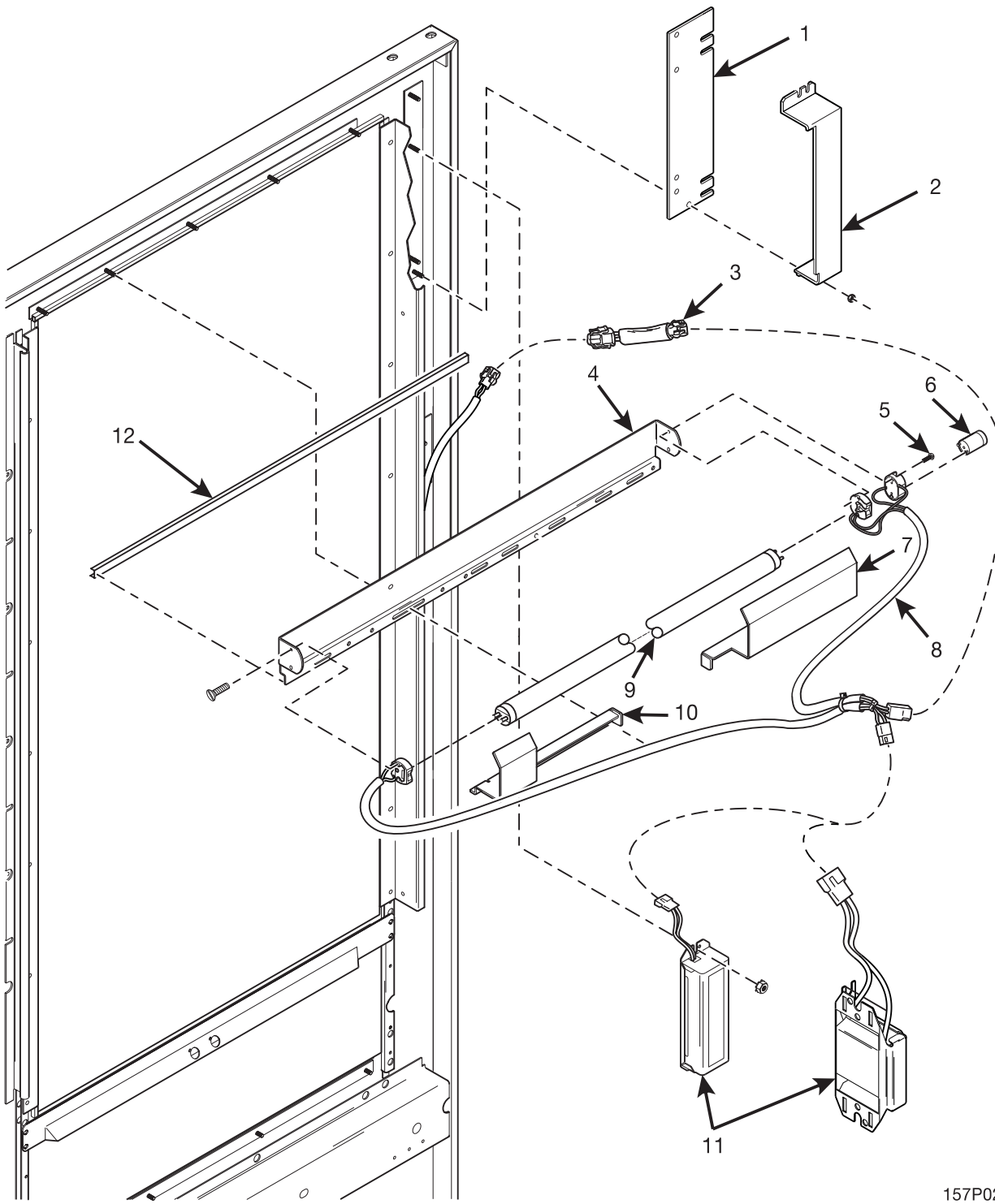
157p0119

Figure 29. Coin Receptacle Assembly

# Snack / Refreshment Center 2 Parts Manual

**TABLE 29. COIN RECEPACLE ASSEMBLY**

<b>INDEX</b>	<b>PART NUMBER</b>	<b>DESCRIPTION</b>	<b>QTY</b>
1	4245084	SHAFT - DOOR - COIN RETURN	1
2	1572011	TRIM - COIN RECEPACLE	1
3	4245083	SPRING - COIN RETURN DOOR	1
4	4245082	GATE - COIN RETURN	1
5	1572010	CUP - COIN RETURN	1
6	2302053	SPACER - CUP	4



157P0274

Figure 30. Light Assembly - Upper Door

## Snack / Refreshment Center 2 Parts Manual

**TABLE 30. LIGHT ASSEMBLY - UPPER DOOR**

INDEX	PART NUMBER	DESCRIPTION	QTY
-	1702004	LIGHT ASSEMBLY-UPPER-DOOR (25W) (120V MODELS 167,267,764)	1
	1702003	LIGHT ASSEMBLY-UPPER-DOOR (20W) (120V MODELS 168,268,765,784,787,AND ALL 230V MODELS)	1
1	1572046	PLATE - BALLAST (230V MODELS)	1
2	1572047	COVER - BALLAST - EUROPE (230 V MODULES)	1
3	1451124	SUPPRESSION NETWORK ASSEMBLY (ALL 120V MODELS)	1
	6332010	SUPPRESSION NETWORK ASSEMBLY (ALL 230V MODELS)	
4	1572039	BRACKET - LIGHT - COMMON - 25 W	1
	1582025	BRACKET - LIGHT - COMMON - 20W	
5	3107171	SCREW - #4-36X5.8 RHS	2
6	2222095	STARTER (20W) (ALL MODELS WITH 1702003 LIGHT ASSEMBLY)	1
	2302218	STARTER (20W) (ALL MODELS WITH 1702004 LIGHT ASSEMBLY)	
7	1572045	COVER - LIGHT SOCKET - LEFT (230 V MODELS)	1
8	1709015	HARNESS - DOOR - FLUOR. LIGHT	1
9	1122138	FLUORESCENT LAMP (20W) (ALL MODELS WITH 1702003 LIGHT ASSEMBLY)	1
	1172115	FLUORESCENT LAMP (25W) (ALL MODELS WITH 1702004 LIGHT ASSEMBLY)	
10	1572044	COVER - LIGHT SOCKET - RIGHT (230 V MODELS)	1
11	1572016	BALLAST (230V MODELS)	1
	3151058	BALLAST-120V (168,268,765,784,787)	
	6152188	BALLAST-120V (167,267,764)	
12	1572244	SPACER - LIGHT BRACKET (167, 267, 764 - MILLENNIA STYLE ONLY)	1
	1582085	SPACER - LIGHT BRACKET (168, 268, 765, 784, 787 -MILLENNIA STYLE ONLY)	

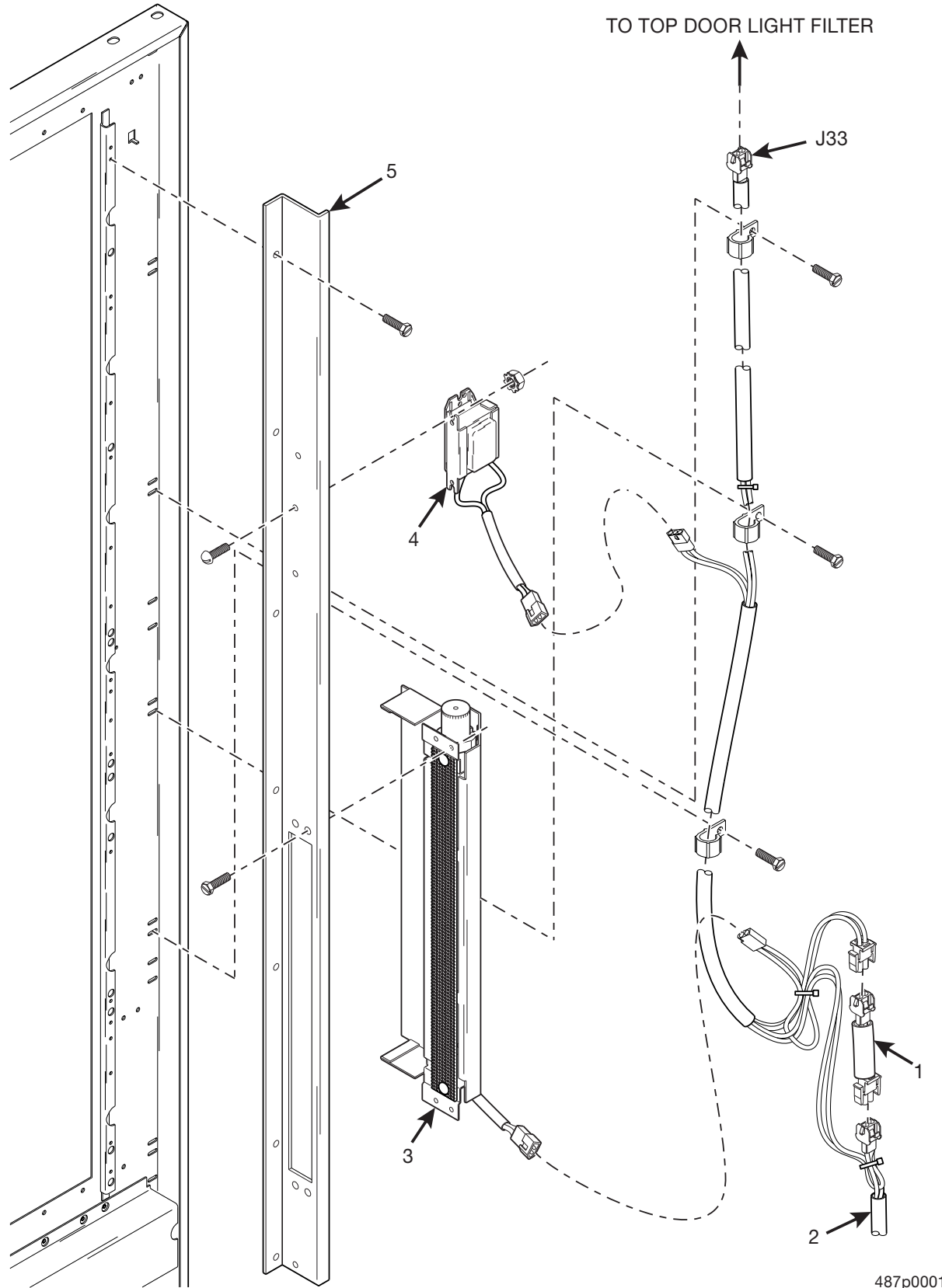


Figure 31. Door Assembly - Models 784, 787 With Refrig/Frozen Food Module



## Snack / Refreshment Center 2 Parts Manual

**TABLE 31. DOOR ASSEMBLY - MODELS 784, 787 WITH REFRIG/FROZEN FOOD MODULE**

INDEX	PART NUMBER	DESCRIPTION	QTY
1	1451124	SUPPRESSION NETWORK ASSEMBLY (110V)	1
	6332010	SUPPRESSION NETWORK ASSEMBLY (230V)	
2	4979009	HARNESS - SIDE PANEL & DOOR FLST LIGHT (110V/230V)	1
3	1572023	FLUORESCENT SIDE LIGHT ASSEMBLY	1
4	4401016	BALLAST (110V)	1
	4851085	BALLAST (230V)	
5	4972107	RETAINER - GLASS W/SIDE LIGHT	1

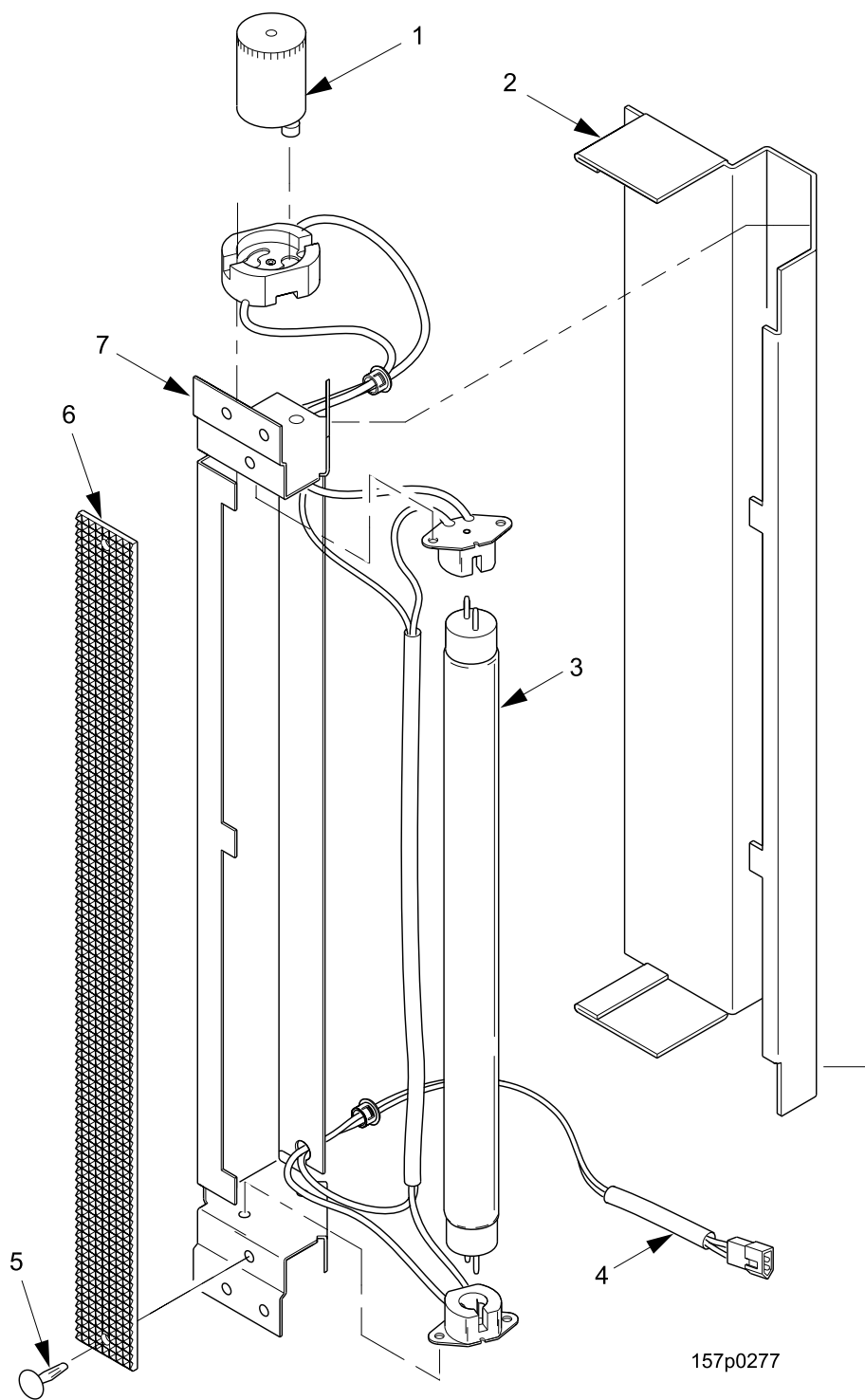
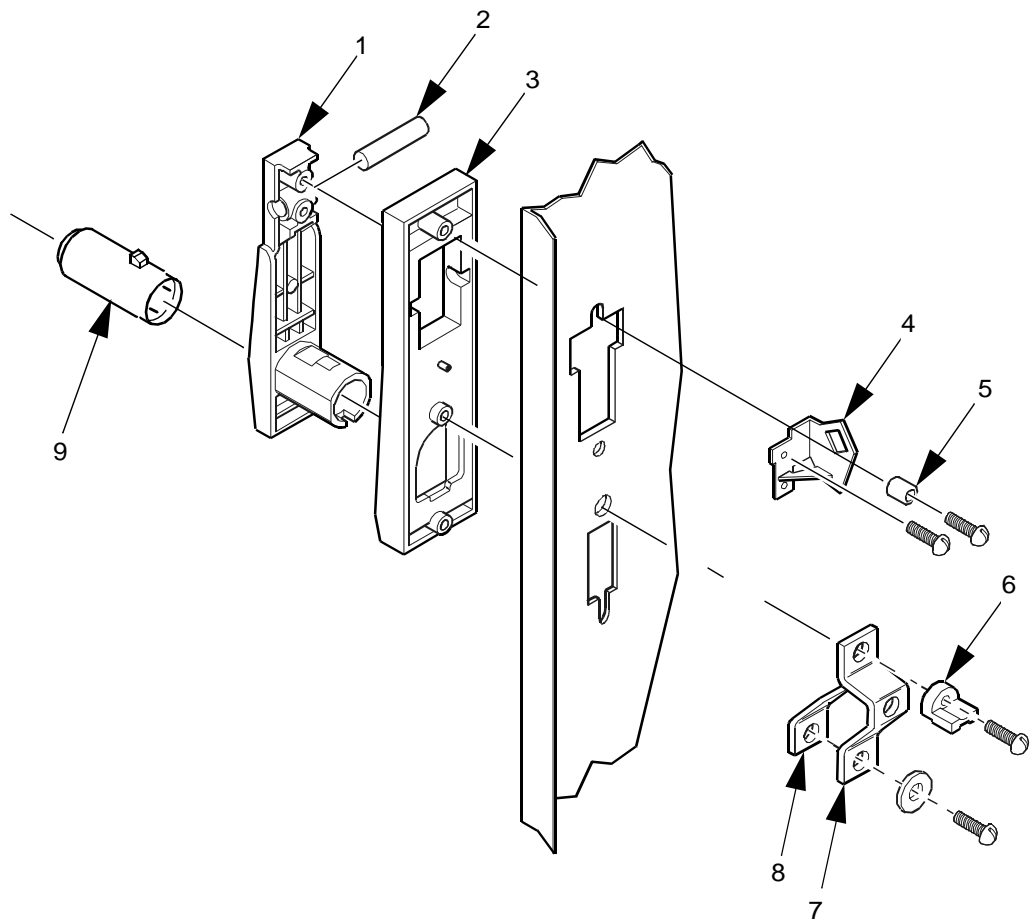


Figure 32. Fluorescent Side Light Assembly

## Snack / Refreshment Center 2 Parts Manual

**TABLE 32. FLUORESCENT SIDE LIGHT ASSEMBLY**

<b>INDEX</b>	<b>PART NUMBER</b>	<b>DESCRIPTION</b>	<b>QTY</b>
-	1572023	FLUORESCENT SIDE LIGHT ASSEMBLY	1
1	1212148	FLUORESCENT STARTER FS 5	1
2	4852049	COVER - LIGHT	1
3	2146059	LAMP - FLUORESCENT 8 WATT F8T5/CW	1
4	4849008	HARNESS - FLST. LT. - FOOD MODULE	1
5	4042556	CANOE CLIP	2
6	4842004	DIFFUSER - LIGHT	1
7	4842015	HOUSING - LIGHT - COMMON	1



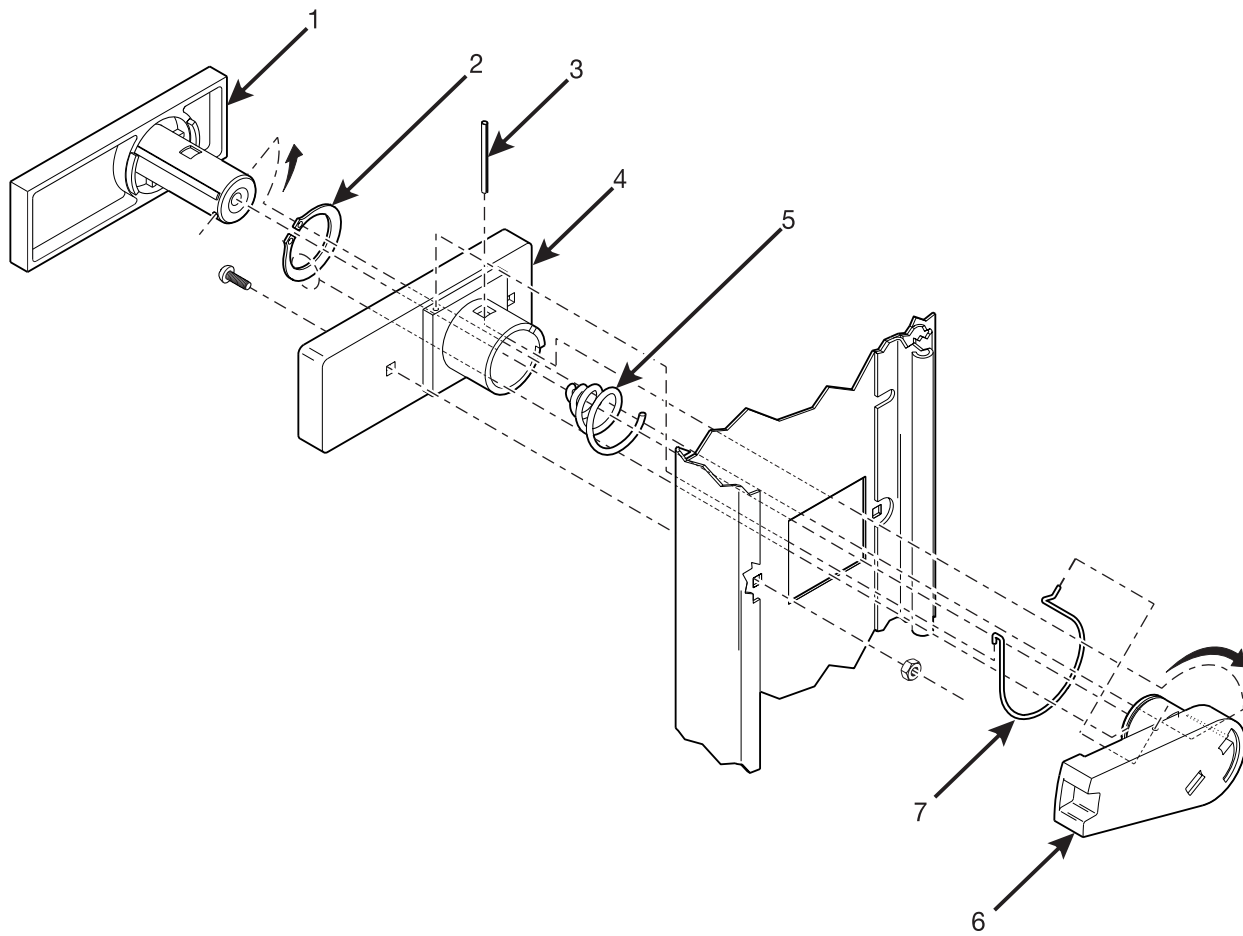
157p0243

Figure 33. Door Lock and Handle Assembly (Imperial Crown and Signature Styles)

## Snack / Refreshment Center 2 Parts Manual

**TABLE 33. DOOR LOCK AND HANDLE ASSEMBLY (IMPERIAL CROWN AND SIGNATURE STYLES)**

INDEX	PART NUMBER	DESCRIPTION	QTY
1	1172190	LEVER - LOCK	1
2	1302291	PIVOT - LEVER LOCK	1
3	1172191	BASE - LEVER LOCK	1
4	2272052	ACTUATOR ASSEMBLY - LOCK BAR	1
5	1302289	CUP SPACER	1
6	1302326	SHIELD - LATCH	1
7	1302324	CATCH - DOOR LATCH	1
8	1302290	LATCH - LOCK LOWER	1
9	9992400	CYLINDER - LOCK	1
	3112163	VAN LOCK	OPT
-	3112164	KEY (NOT SHOWN) VAN LOCK APPLICATION (NOT SHOWN)	1 OPT



497p0029

Figure 34. Door Lock and Handle Assembly (Millennia Style)

## Snack / Refreshment Center 2 Parts Manual

**TABLE 34. DOOR LOCK AND HANDLE ASSEMBLY (MILLENNIA STYLE)**

<b>INDEX</b>	<b>PART NUMBER</b>	<b>DESCRIPTION</b>	<b>QTY</b>
-	1572395	LOCK ASSEMBLY - MILLENNIA	1
1	1572397	LEVER - HANDLE	1
2	1572199	RETAINING RING - LOCK ACTUATOR	1
3	6104218	ROLL PIN - 1/8 X 1 IN.	1
4	1572396	BASE - LOCK HANDLE	1
5	1572203	SPRING - LOCK	1
6	1572398	ACTUATOR - LOCK BAR	1
7	1572204	SPRING - LIFT - ACTUATOR	1

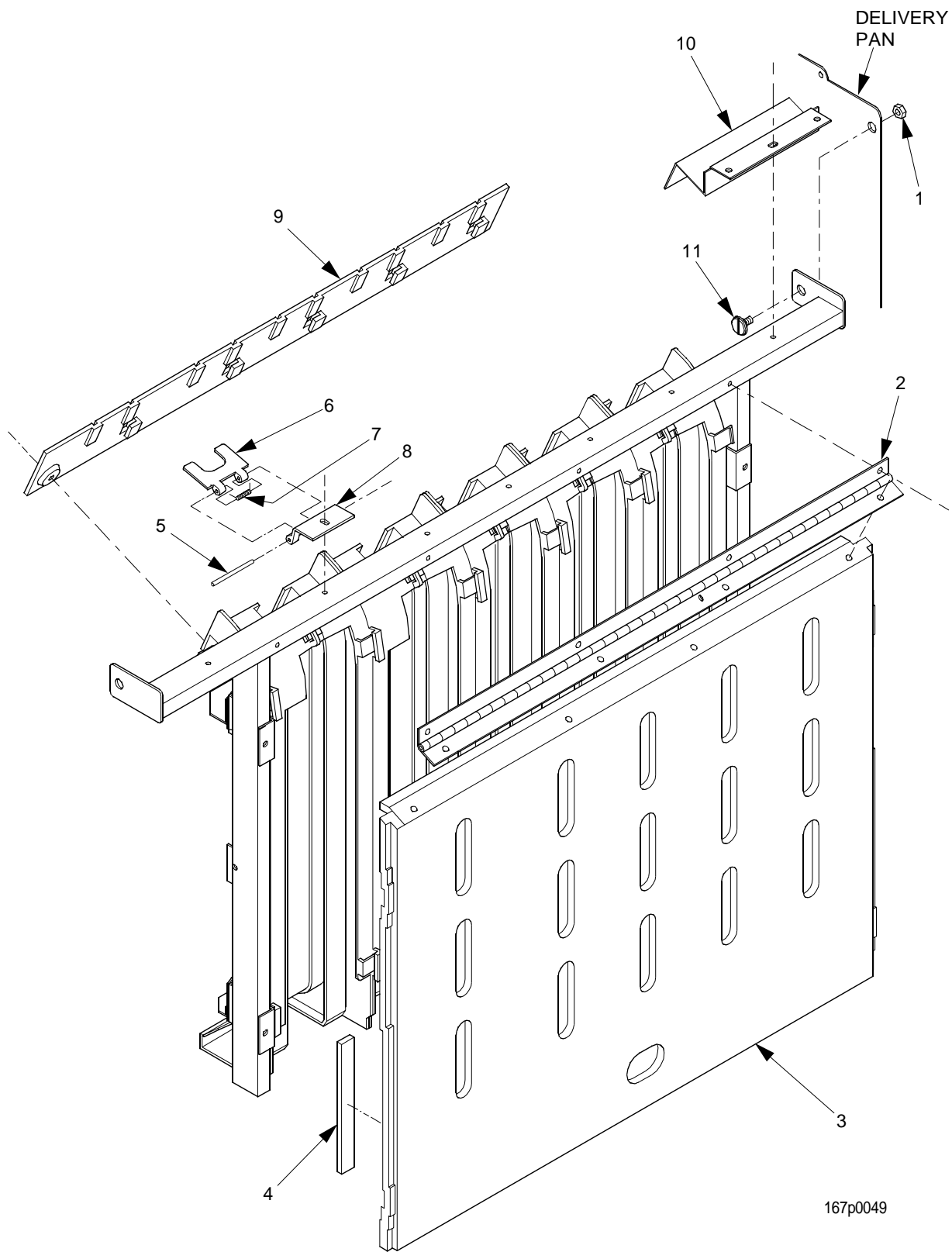


Figure 35. Gum and Mint Assembly (Part 1)



## Snack / Refreshment Center 2 Parts Manual

**TABLE 35. GUM AND MINT ASSEMBLY (PART 1)**

INDEX	PART NUMBER	DESCRIPTION	QTY.
-	1577000X	GUM & MINT COLUMN (167, 267, 764)	-
-	1587000X	GUM & MINT COLUMN (168, 268, 765, 784, 787)	-
1	6133152	NUT - #10-32 X 5/8 SEMS TY23 T/C EXT Z	2
2	1479104	HINGE - COVER	1
-	1479125	COVER ASSEMBLY (INCLUDES THE NEXT TWO ITEMS)	-
3	1479101	COVER - GUM & MINT	1
4	1479119	MAGNET - RETAINER	2
5	1479083	PIN - HINGE	5
6	1479081	HINGE - FRONT	5
7	1479084	SPRING - HINGE	5
8	1479082	HINGE - BACK	5
9	1479105	WINDOW - GUM & MINT	1
10	1479103	FILLER - GUM & MINT	2
11	1479052	STUD - PIVOT - G & M	2

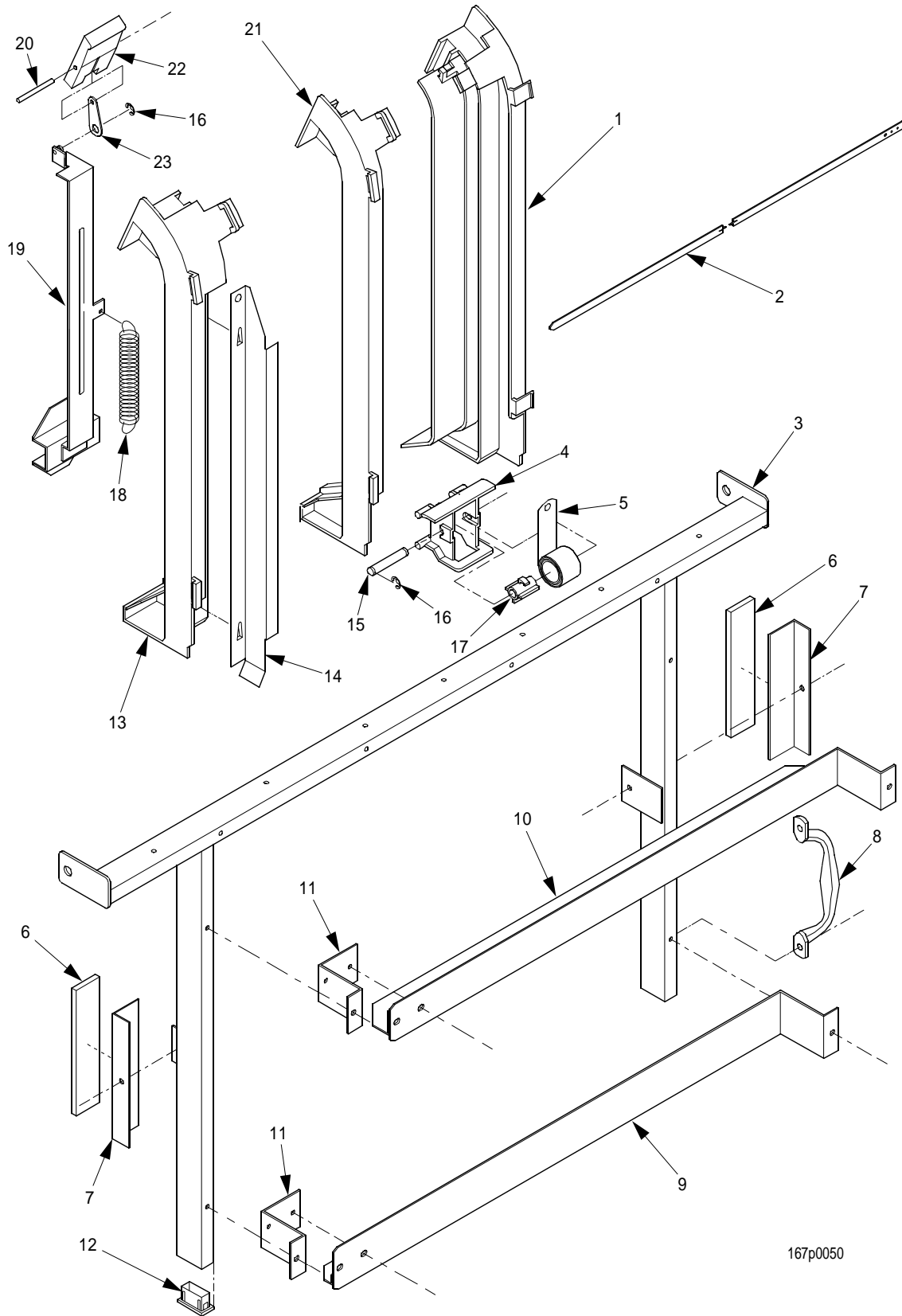
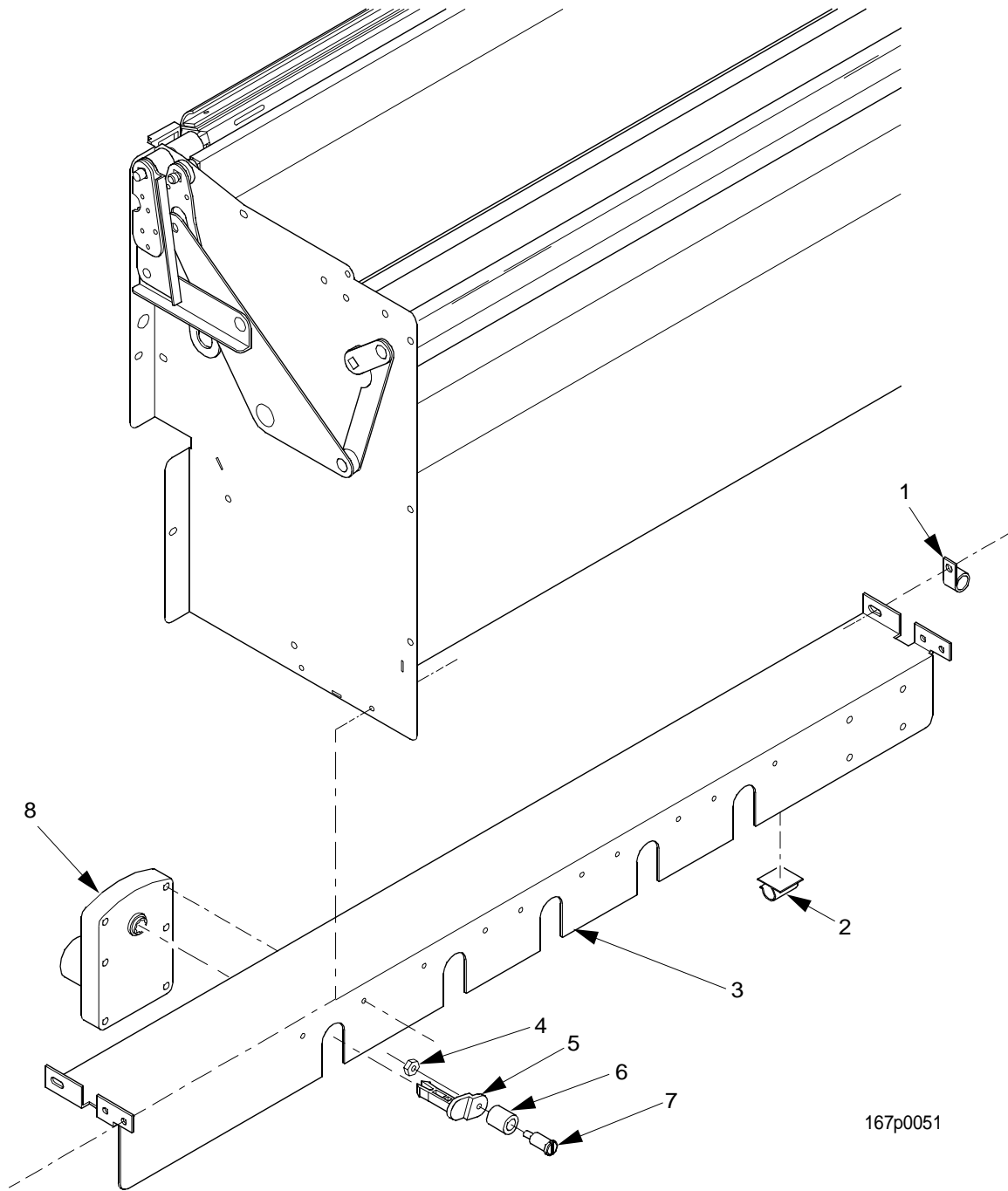


Figure 36. Gum and Mint Assembly (Part 2)

## Snack / Refreshment Center 2 Parts Manual

**TABLE 36. GUM AND MINT ASSEMBLY (PART 2)**

INDEX	PART NUMBER	DESCRIPTION	QTY.
1	1479075	CHANNEL - GUM & MINT - LEFT	5
2	1579053	RETAINER	3
3	1479136	FRAME ASSEMBLY - GUM & MINT (167, 267, 764)	1
	1489008	FRAME ASSEMBLY - GUM & MINT (168, 268, 765, 784, 787)	
4	1479079	PUSHER	5
5	1479106	SPRING - PUSHER	5
6	3122056	MAGNET RETAINER - COIN CHANGER	2
7	1479117	ANGLE - MAGNET	2
8	1479139	PULL - DOOR	1
9	1479092	SUPPORT ASSEMBLY - MAGAZINE - LOWER	1
10	1479089	SUPPORT ASSEMBLY - MAGAZINE - UPPER	1
11	1479095	BRACKET - MAGAZINE	2
12	1479120	CAPLUG - REC. ½ X 1	2
13	1479077	CHANNEL - GUM & MINT - RIGHT - LARGE	2
14	1479064	SPACER - COLUMN - G & M	2
15	1479099	PIN - PUSHER	5
16	9900425	RETAINING RING REINF E TYP. 250	15
17	1479080	SPOOL - SPRING	5
18	4246307	SPRING - HORIZONTAL SELECTOR ARM	5
19	1677171	DRIVE BAR & STUD ASSEMBLY	5
20	1479098	PIN - EJECTOR	5
21	1479076	CHANNEL - GUM & MINT - RIGHT - SMALL	3
22	1479078	EJECTOR - GUM & MINT	5
23	1479097	LINK - EJECTOR	5
-	1579012	HARNESS - GUM & MINT (NOT SHOWN)	1



167p0051

Figure 37. Gum and Mint Assembly (Part 3)

## Snack / Refreshment Center 2 Parts Manual

**TABLE 37. GUM AND MINT ASSEMBLY (PART 3)**

INDEX	PART NUMBER	DESCRIPTION	QTY.
1	1452139	RETAINER - HARNESS	1
2	6131143	CABLE CLAMP - RICHCO #KKC6	2
3	1489005	ANGLE - MOTOR (168, 268, 765, 784, 787)	1
	1572351	ANGLE - MOTOR (167, 267, 764)	
4	9900081	NUT #8-32 KEPS ZINC PLATE	5
5	1479145	ARM - DRIVE MOTOR	5
6	1479063	ROLLER - DRIVE ARM	5
7	1479062	STUD - DRIVE ARM	5
8	1577038	MOTOR & PC BOARD ASSEMBLY	5

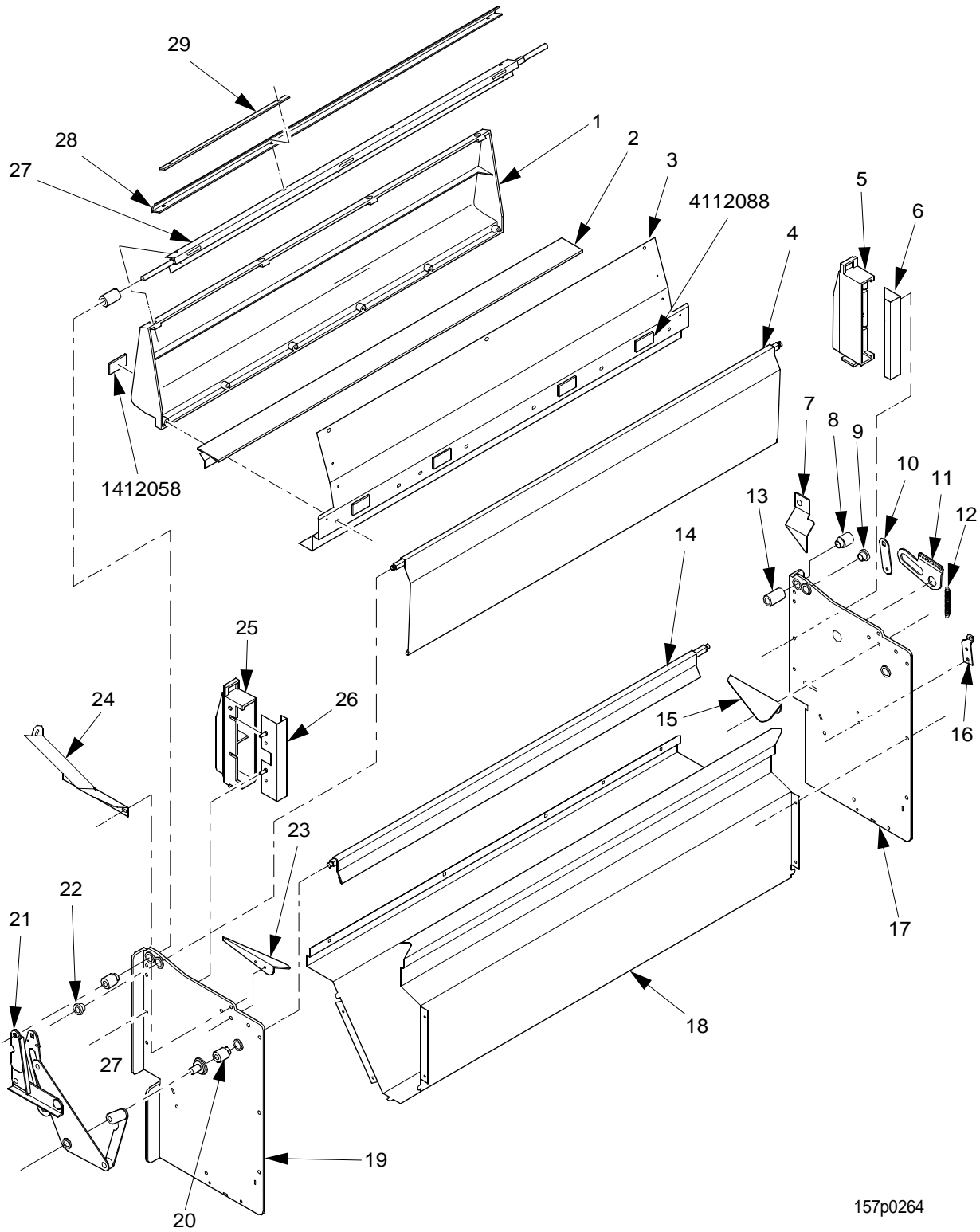


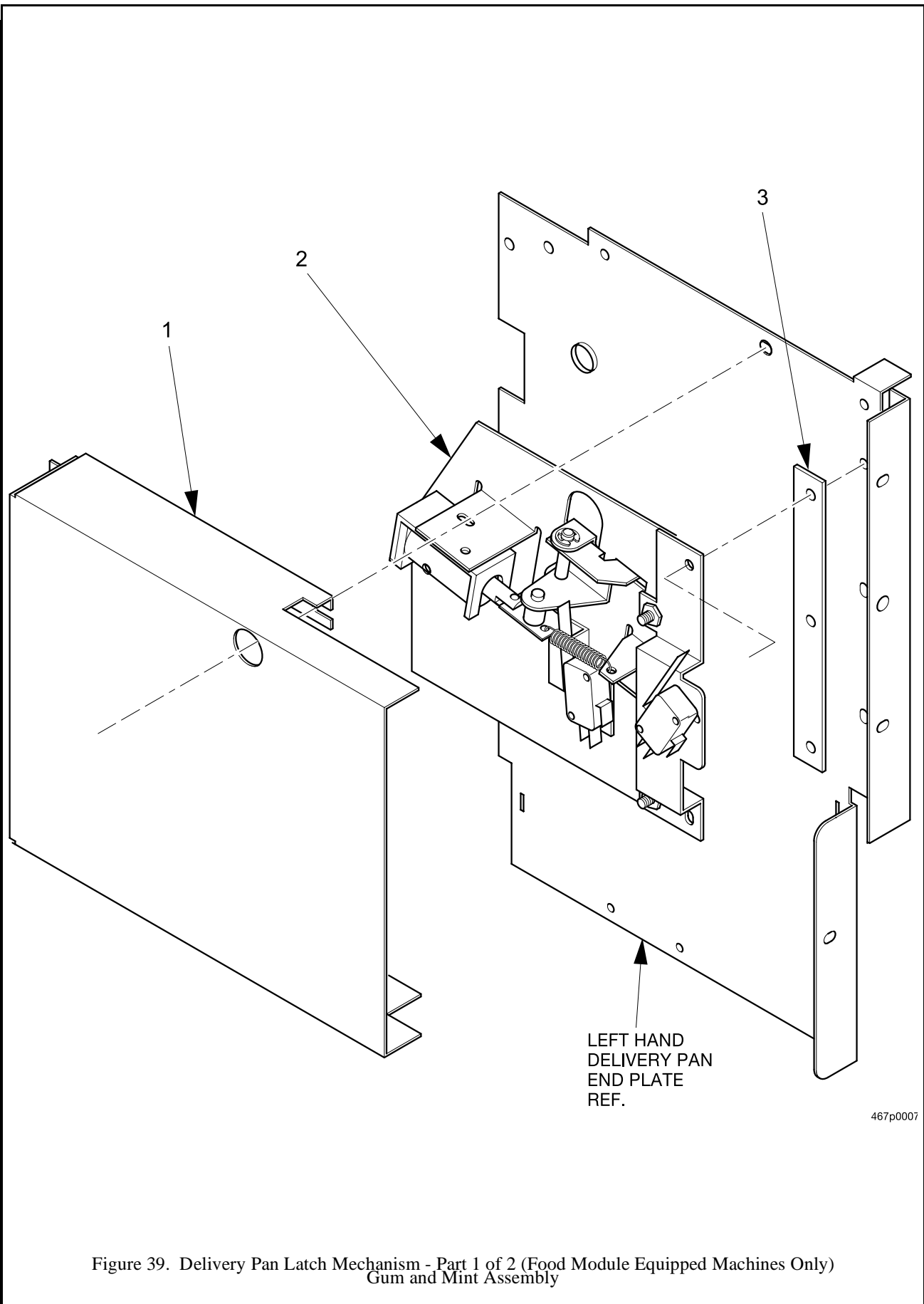
Figure 38. Delivery Pan Assembly

157p0264

## Snack / Refreshment Center 2 Parts Manual

**TABLE 38. DELIVERY PAN ASSEMBLY**

INDEX	PART NUMBER	DESCRIPTION	QTY.
-	1572354	DELIVERY PAN ASSEMBLY - 38" (167, 267, 764)	1
	1582134	DELIVERY PAN ASSEMBLY - 32" (168, 268, 765, 784, 787)	
1	1572053	DOOR - DELIVERY - 38" (167, 267, 764)	1
	1582080	DOOR - DELIVERY - 32" (168, 268, 765, 784, 787)	
2	1572280	FILLER - FRONT - 38" (167, 267, 764)	1
	1582127	FILLER - FRONT - 32" (168, 268, 765, 784, 787)	
3	1572289	BACK - DELIVERY DOOR - 38" (167, 267, 764)	1
	1582126	BACK - DELIVERY DOOR - 32" (168, 268, 765, 784, 787)	
4	1572415	DOOR ASSEMBLY - PILFERAGE - 38" (167, 267, 764)	1
	1582219	DOOR ASSEMBLY - PILFERAGE - 32" (168, 268, 765, 784, 787)	
5	1572229	FILLER - LEFT HAND	1
6	1572301	CHANNEL & STUD ASSEMBLY - L.H.	1
7	1582225	DEFLECTOR - L.H. - 32" (167, 267, 764)	1
8	1572416	SLEEVE - DELIVERY DOOR	2
9	1572418	SLEEVE - PILFER & REAR DR. - L.H	2
10	1572353	ARM ASSEMBLY - SPRING ASSIST	1
11	1572423	ACTUATOR ASSEMBLY. - SPRING ASSIST	1
12	1572420	SPRING	1
13	1572315	SPACER - DELIVERY DOOR	2
14	1572388	DOOR ASSEMBLY - REAR - 38" (167, 267, 764)	1
	1582146	DOOR ASSEMBLY - REAR - 32" (168, 268, 765, 784, 787)	
15	1572322	DEFLECTOR - INNER - L.H.	1
16	1572421	ANCHOR - SPRING	1
17	1572425	SIDE PLATE ASSEMBLY - R.H.	1
18	1572391	WELD ASSEMBLY - DELIVERY PAN - 38" (167, 267, 764)	1
	1582148	WELD ASSEMBLY - DELIVERY PAN - 32" (168, 268, 765, 784, 787)	
19	1572424	SIDE PLATE ASSEMBLY - L.H.	1
20	1572409	SPACER - SHAFT	1
21	1572410	LINKAGE ASSEMBLY - R.H.	1
22	1572417	SLEEVE - PILFER & REAR DR. - R.H	2
23	1572321	DEFLECTOR - INNER - R.H.	1
24	1572029	DEFLECTOR - PRODUCT - R.H.	1
25	1572230	FILLER - RIGHT HAND	1
26	1572300	CHANNEL & STUD ASSEMBLY - R.H.	1
27	1572447	CHANNEL ASSEMBLY - 38" - (167, 267, 764)	1
	1582231	CHANNEL ASSEMBLY - 32" - (168, 268, 765, 784, 787)	
28	1572448	GUARD - DELIVERY DOOR - UPPER - 38" (167, 267, 764)	1
	1582232	GUARD - DELIVERY DOOR - UPPER - 32" (168, 268, 765, 784, 787)	
29	1572449	STRIP - THREADED - 38" (167, 267, 764)	2
	1582233	STRIP - THREADED - 32" (168, 268, 765, 784, 787)	

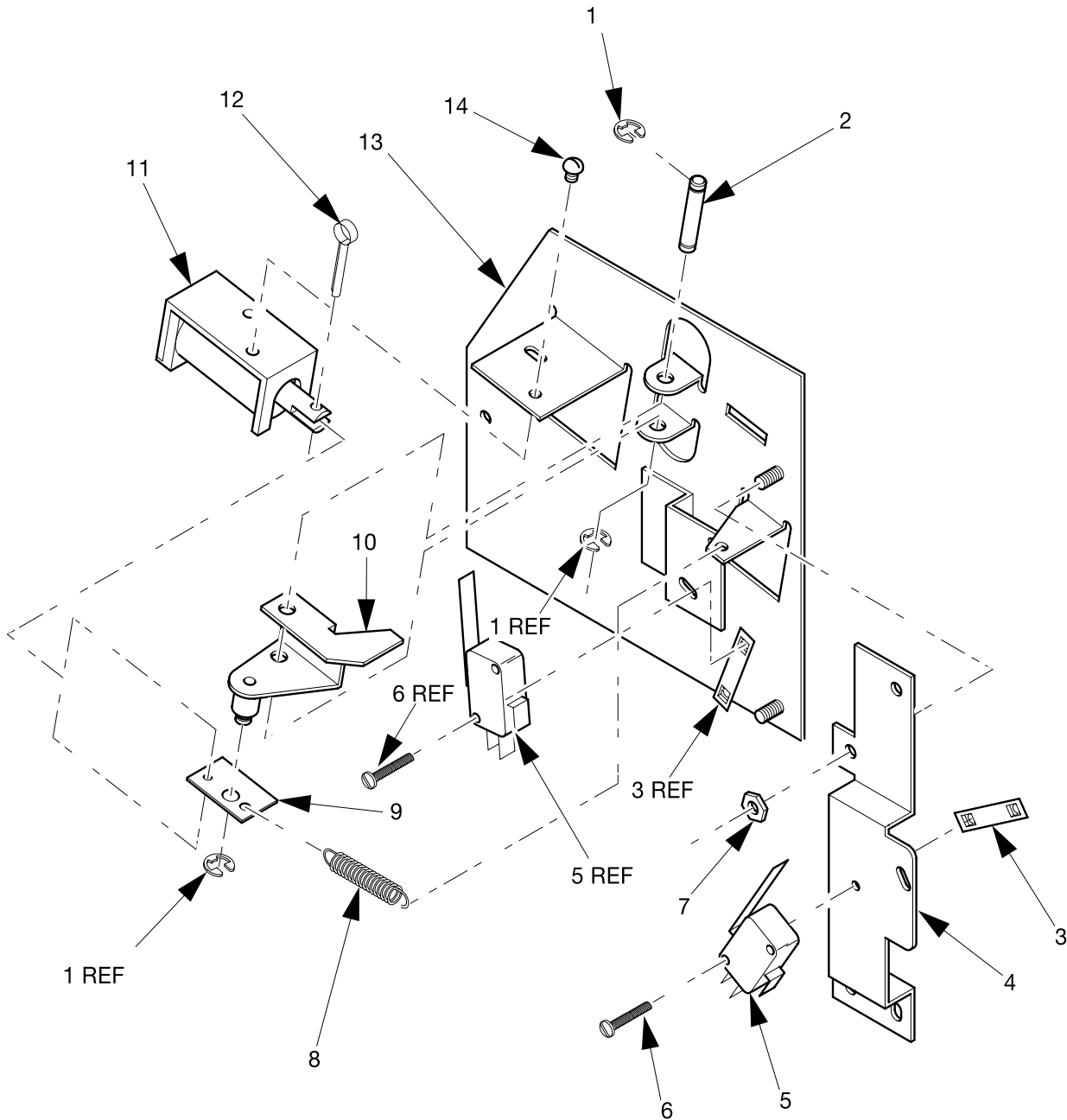




## Snack / Refreshment Center 2 Parts Manual

**TABLE 39. DELIVERY PAN LATCH MECHANISM - PART 1 OF 2 (FOOD MODULE EQUIPPED MACHINES ONLY)**

<b>INDEX</b>	<b>PART NUMBER</b>	<b>DESCRIPTION</b>	<b>QTY.</b>
1	4402027	COVER - LATCH MECHANISM	1
2	1572268	LATCH MOUNTING PLATE ASSEMBLY XREF	1
3	1572265	SPACER - SOLENOID LOCK	2



467p0008

Figure 40. Delivery Pan Latch Mechanism - Part 2 of 2 (Food Module Equipped Machines Only)

## Snack / Refreshment Center 2 Parts Manual

**TABLE 40. DELIVERY PAN LATCH MECHANISM - PART 2 OF 2 (FOOD MODULE EQUIPPED MACHINES ONLY)**

INDEX	PART NUMBER	DESCRIPTION	QTY.
1	9900418	RETAINING RING - REINF "E" TYPE - .187	3
2	4402022	PIN - LATCH	1
3	4302316	FASTENER - TWIN TYPE	2
4	1572264	BRACKET - SWITCH MOUNTING	1
5	9984633	SWITCH - LEVER - 1 7/8	2
6	1217160	4-40 X 5/8 RMS M SCREW Z/Y	4
7	9900081	NUT - #8-32 KEPS Z/P	2
8	1127808	SPRING - SHELF RESET	1
9	4402047	LINK - SOLENOID	1
10	4402023	LATCH AND STUD ASSEMBLY	1
11	4252030	SOLENOID - 24 VDC	1
12	9900098	COTTER PIN - 3/32 X 3/4 INCH	1
13	1572266	PLATE AND BRACKET ASSEMBLY	1
14	9900090	SCREW - #6-32 X 3/16 RHS W/LKW	2

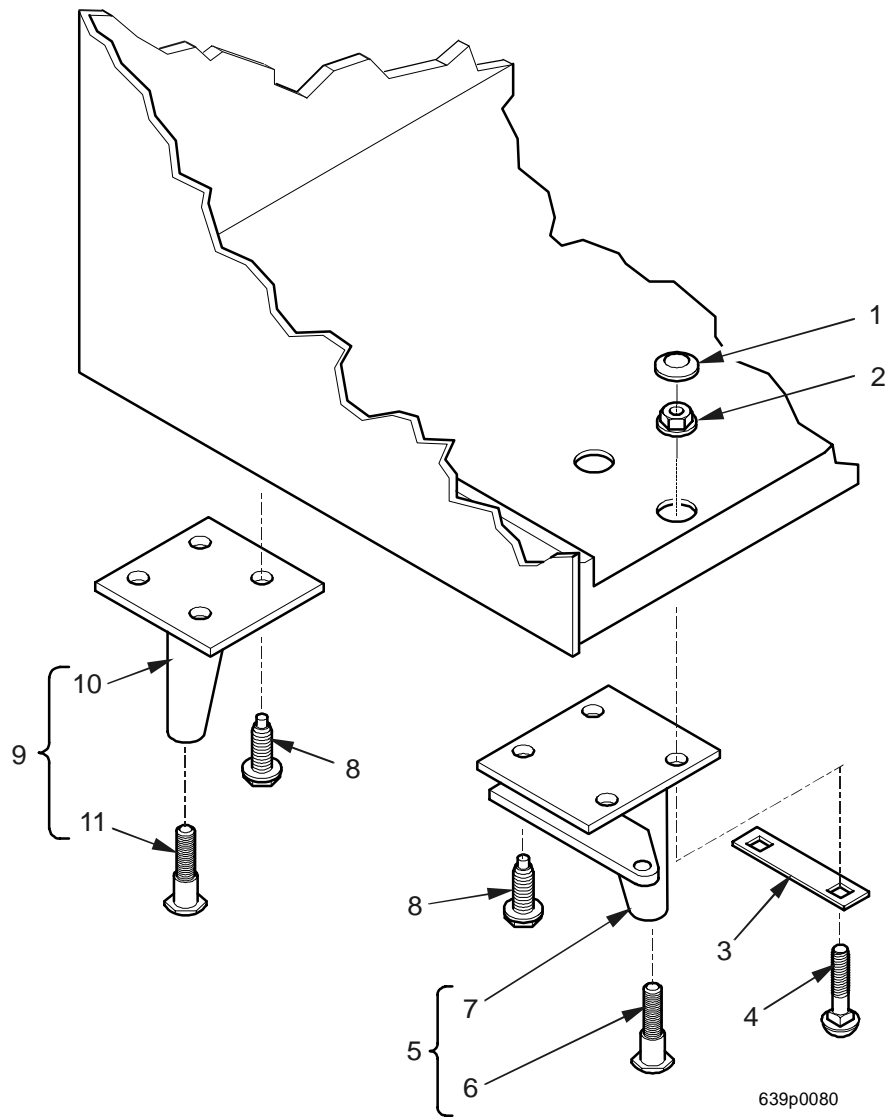


Figure 41. Leg, Leveler, and Leg and Hinge Assemblies

## Snack / Refreshment Center 2 Parts Manual

**TABLE 41. LEG, LEVELER, AND LEG AND HINGE ASSEMBLIES**

<b>INDEX</b>	<b>PART NUMBER</b>	<b>DESCRIPTION</b>	<b>QTY.</b>
1	6231034	PLUG - HOLE (NOT USED IN ALL APPLICATIONS)	2
2	1172021	NUT - 1/4-20 WHIZ-LOCK	2
3	6231203	PLATE - HINGE LEG BOLT	1
4	1211112	TRAY BOLT	2
5	6231163	LEG, HINGE, AND LEVELER ASSEMBLY	1
6	1471098	LEVELER - CABINET	1
7	1571115	LEG AND HINGE ASSEMBLY	1
8	9900218	SCREW - # 5/16 X 1 W/LOCKING RING	14
9	1471237	LEG AND LEVELER ASSEMBLY - CABINET	3
10	1571127	LEG ASSEMBLY - CABINET	1
11	1471098	LEVELER - CABINET	1

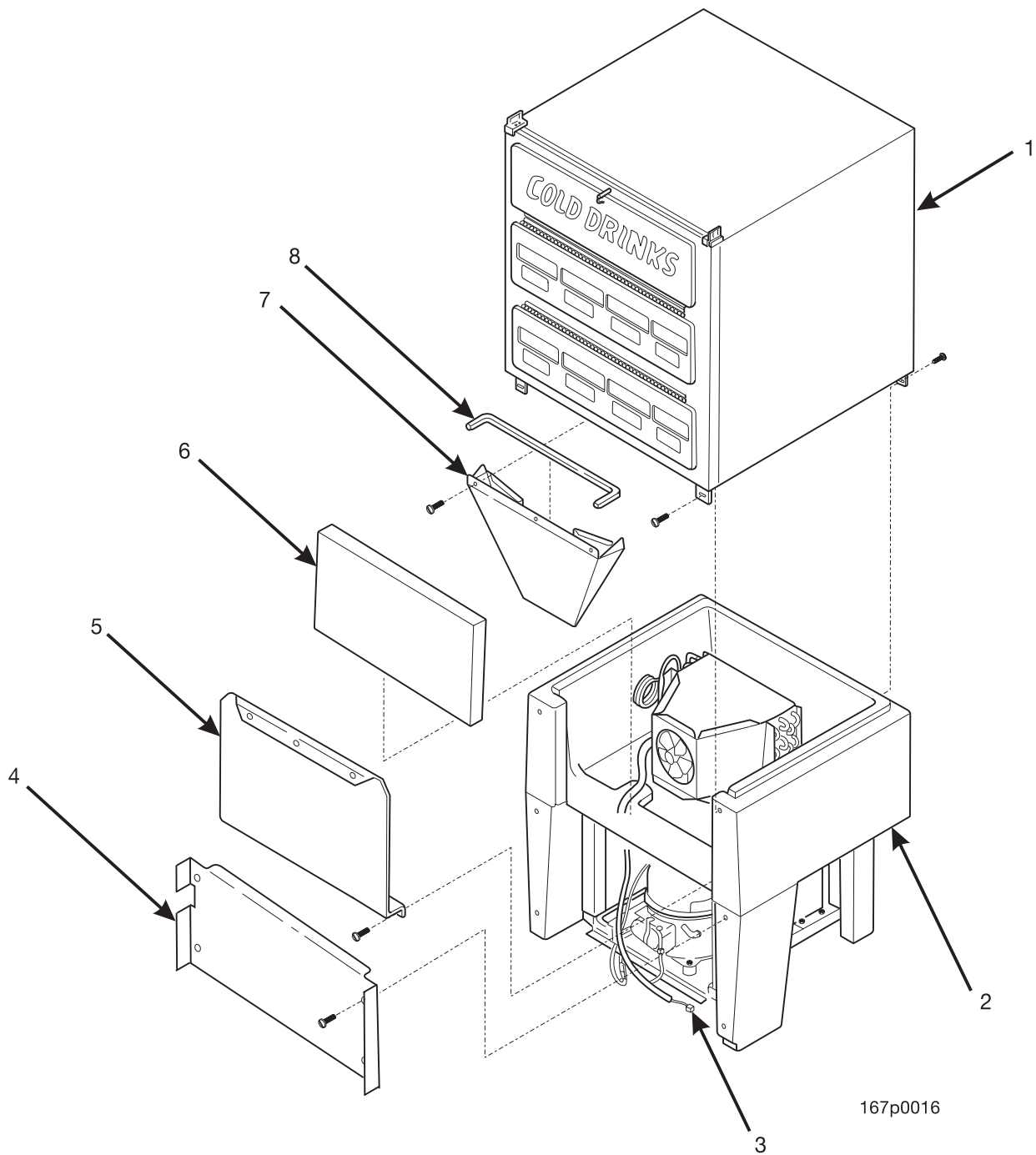


Figure 43. Can and Refrigeration Module

## Snack / Refreshment Center 2 Parts Manual

**TABLE 43. CAN AND REFRIGERATION MODULE**

INDEX	PART NUMBER	DESCRIPTION	QTY
1	4847001	CAN MODULE ASSEMBLY - 8 SELECT (110V)	1
	4877000	CAN MODULE ASSEMBLY - 8 SELECT (220V)	
	4847029	CAN MODULE ASSEMBLY - 6 SELECT (AUSTRALIA)	
2	4844005	REFRIGERATION MODULE ASSEMBLY - FINAL - R134A -CAN (110V)	1
	4874049	REFRIG. MOD. - CAN - FOR. - DANFOSS (220V)	
3	4849025	HARNESS - CAN/CHILLER COMPRESSOR	1
4	1581028	COVER & SEAL ASSEMBLY - COMPRESSOR (MODEL 784) (SHOWN)	1
	4681020	COVER & SEAL ASSEMBLY - COMPRESSOR (MODEL 787) (NOT SHOWN)	
5	4744042	DOOR - RETAINER	1
6	4744027	DOOR - REFRIGERATION MODULE	1
7	4744024	DUCT ASSEMBLY - AIR DISTRIBUTION	1
8	4744028	GASKET - DUCT DISTRIBUTION	1

**THE FOLLOWING IS AVAILABLE AS AN ASSEMBLY**

4744023	DUCT & GASKET ASSEMBLY (INCLUDES INDEX NUMBERS 7 & 8)
---------	---

# Snack / Refreshment Center 2 Parts Manual

**TABLE 43. REFRIGERATION MODULE ASSEMBLY - CAN (110V) - NO CHILL**

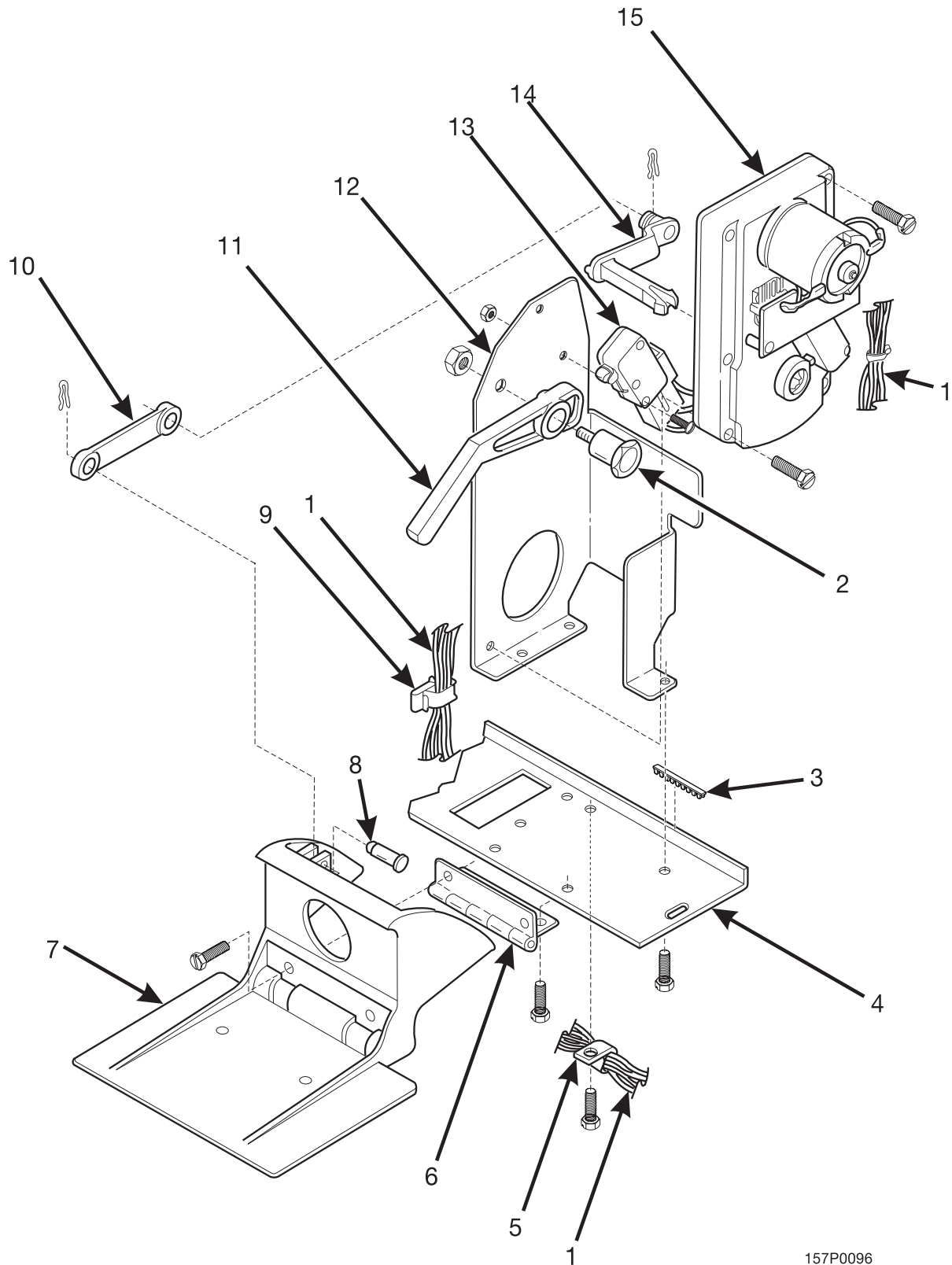
<b>PART NUMBER</b>	<b>DESCRIPTION</b>	<b>QTY</b>
4844005	REFRIGERATION MODULE ASSEMBLY FINAL - R134A -CAN	1
4744045	SHROUD - EVAPORATOR FAN	1
4724124	FAN - EVAPORATOR	1
4744020	SHROUD - TOP	1
4119013	PROBE - TEMPERATURE SENSOR	1
4774013	BUSHING - OPEN/CLOSED - .38	1
4744030	PLATE - TEMPERATURE SENSOR	1
4744017	GASKET - REFRIGERATION MODULE	1
4844026	EVAPORATOR AND TUBE ASSEMBLY - TECUMSEH	1
3128063	DRAIN - WATER BATH	1
4744002	HOUSING - REFRIGERATION MODULE	1
4644008	TRIAC & SUPPORT ASSEMBLY - CAN/CHILL	1
3608149	BLADE - CONDENSER FAN FV-700CW20P	1
4043121	SILENCER - FAN - MORRIL S-5847-1	1
4744112	MOTOR - CONDENSER FAN	1
4744009	BRACKET - CONDENSER MOTOR	1
1140351	WASHER - STEEL 3/4 X .264 X .090	4
4724070	SLEEVE - 23/32" LENGTH	4
4724066	GROMMET - 11/16 HIGH	4
4844002	BASE & STUD ASSEMBLY - CONDENSER	1
4304192	LABEL - R134A - SMALL	1
4744022	PAN - CONDENSATE	1
4744108	COMPRESSOR - AZ0370Y - R134A	1
4043082	CLIP - SPEED DART STYLE	4
3608146	SHROUD - CONDENSER FAN	1
4744109	CONDENSER - W/PROCESS TUBE	1
4849025	HARNES - CAN/CHILLER COMPRESSOR	1
2204513	WIRE TIE #PLT 1.5IM (NOT SHOWN)	1
4301152	DRAIN - CONDENSATE	1
1140351	WASHER - STEEL 3/4 X .264 X .090	2
4614107	BOLT - .250-20 X 1.75 - HEX HD.	-



## Snack / Refreshment Center 2 Parts Manual

**TABLE 44. REFRIGERATION MODULE ASSEMBLY - CAN (230 V) - CHILLED**

PART NUMBER	DESCRIPTION	QTY
4874049	REFRIG. MOD - CAN - FOR. - DANFOSS	1
4774007	COVER - AIR DUCT	1
4874002	FAN - EVAPORATOR - 230VAC	1
4774045	MOUNTING BRACKET - FAN	1
4874043	EVAP. ASSY - SNACK/CAN - DANFOSS	1
4774003	DIVIDER WALL - AIR DUCT	1
4744069	GASKET - EVAP. FAN SHROUD	1
4844001	FAN - EVAPORATOR - 230V	1
4774004	SHROUD - EVAPORATOR FAN	1
4774046	WALL - AIR DUCT	1
4744101	HOUSING - REFRIG. MODULE	1
4644008	TRIAC & SUPPORT ASSY - CHILL/CAN	1
4644029	PAN - CONDENSATE	1
4304216	GROMMET & SLEEVE PACKAGE (4 EACH)	1
4304058	CORD - RELIEF	1
4304211	COMPRESSOR - 220V - R134A - DANFOSS	1
9988902	CAPACITOR - START - 80 MFD - 220/250V	1
4304214	RELAY - STARTING	1
4304057	COVER	1
4774105	BASE & STUD ASSEMBLY - COND.	1
4744009	BRACKET - CONDENSER MOTOR	1
4774122	MOTOR - CONDENSER FAN - 230V	1
4774026	SHROUD - CONDENSER FAN	1
4774027	BLADE - CONDENSER FAN	1
3634002	CONDENSER	1
4641074	COVER & SEAL ASSY - REFRIG. HOUSING	2
4119013	PROBE - TEMPERATURE SENSOR	1
4301152	DRAIN - CONDENSATE	1
4774002	DIVIDER - EVAPORATOR	1
4744031	SEAL - .50 X .50 INCH	1
4774008	GASKET - AIR DUCT COVER	1



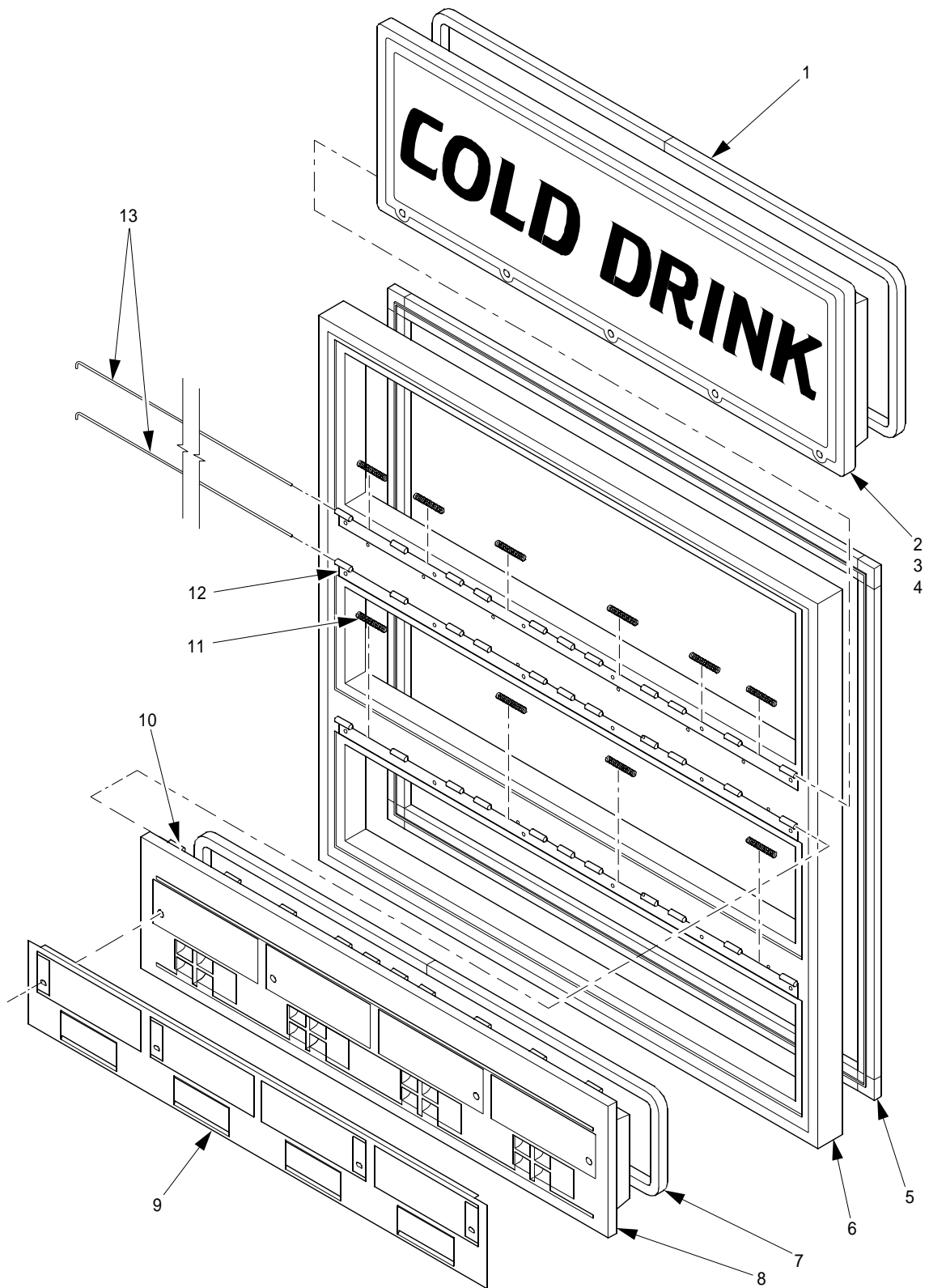
157P0096

Figure 46. Motor and Ejector Mounting Channel Assembly

## Snack / Refreshment Center 2 Parts Manual

**TABLE 46. MOTOR AND EJECTOR MOUNTING CHANNEL ASSEMBLY**

INDEX	PART NUMBER	DESCRIPTION	QTY
-	4847002	MOUNTING CHANNEL ASSEMBLY - MOTOR AND EJECTOR	-
1	4849028	HARNESS - CAM EJECTORS	1
	4849029	HARNESS - CAM EJECTORS (AUSTRALIA)	
2	1457099	STUD - TRAY ROLLER	4
3	4712002	EDGING - NYLON - LONG - 1.0"	4
4	4747029	CHANNEL - MOTOR AND EJECTOR MOUNTING	1
	4847036	CHANNEL - MOTOR AND EJECTOR MOUNTING (AUSTRALIA)	
5	2342315	CLIP - WIRE HARNESS	8
6	4747038	HINGE - EJECTOR	1
7	4747606	CAM - EJECTOR	1
8	4747031	PIVOT PIN - EJECTOR CAM	4
9	1212159	CLIP - WIRE	1
10	4747030	ARM - EJECTOR DRIVE	4
11	4747036	SWITCH - ACTUATOR - SOLD OUT	1
12	4747034	BRACKET - MOTOR MOUNTING	1
13	2366091	SWITCH - ROLLER - LEVER	1
14	4747035	CAM - EJECTOR DRIVE	1
15	1577035	PCB AND MOTOR ASSEMBLY	1



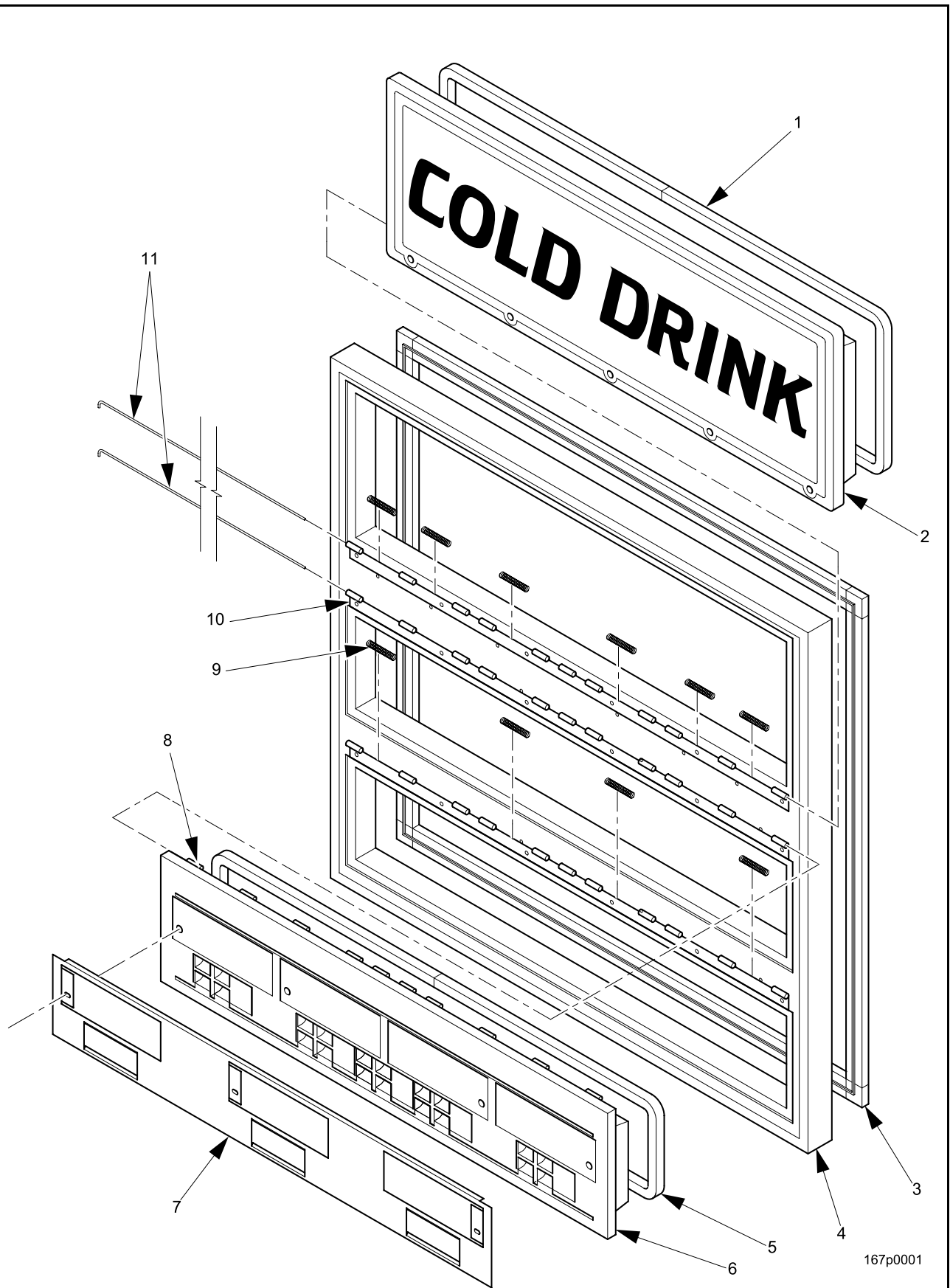
490p0039

Figure 47. Can Unit Frame Assembly

## Snack / Refreshment Center 2 Parts Manual

**TABLE 47. CAN UNIT FRAME ASSEMBLY**

INDEX	PART NUMBER	DESCRIPTION	QTY
-	4747065	FRAME ASSEMBLY - 8 SELECT	-
1	4747014	GASKET - LOADING DOOR	1
2	4747133	DOOR - LOADING	1
3	7847004	HINGE - DOOR	1
4	4727145	LABEL - LOADING DIAGRAM	1
5	4747003	GASKET - FRAME - 8 SELECT	1
6	4747127	FRAME - CAN MODULE - 8 SEL.	1
7	4747009	GASKET - DELIVERY DOOR	2
8	4747134	DOOR - DELIVERY	2
9	4747111	RETAINER - LABEL	2
10	7847004	HINGE - DOOR	2
11	4747064	SPRING - DOOR RETURN	14
12	7847003	HINGE - DELIVERY DOOR	3
13	4747135	PIN - HINGE	3



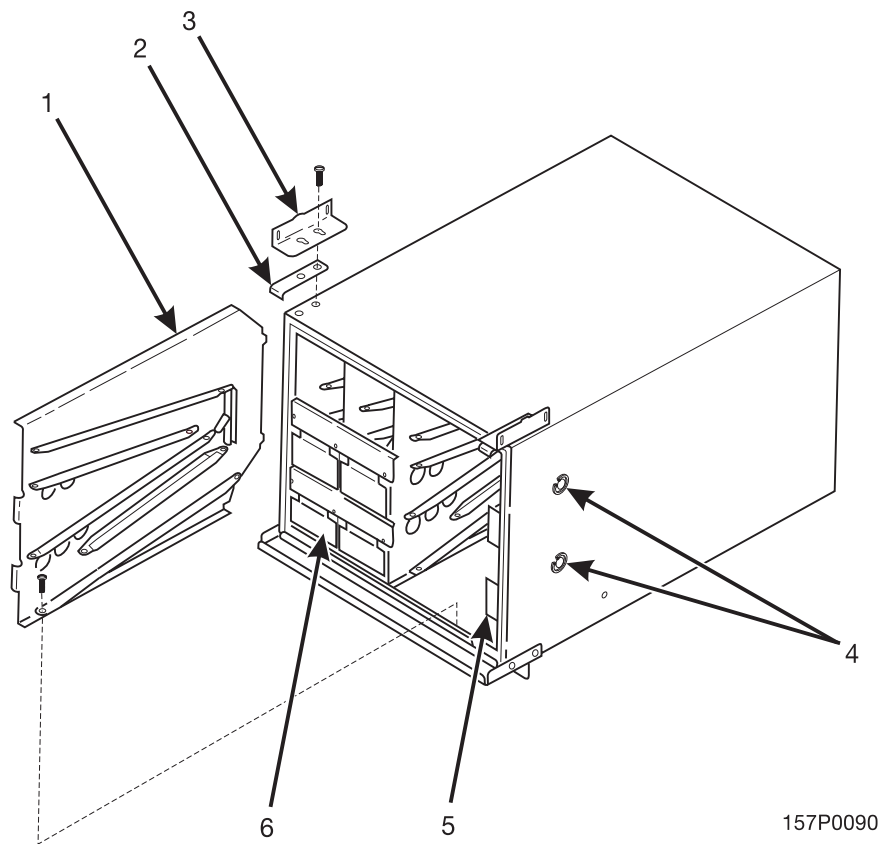
167p0001

Figure 48. Can Unit Frame Assembly (Australia)

## Snack / Refreshment Center 2 Parts Manual

**TABLE 48. CAN UNIT FRAME ASSEMBLY (AUSTRALIA)**

<b>INDEX</b>	<b>PART NUMBER</b>	<b>DESCRIPTION</b>	<b>QTY</b>
-	4847031	FRAME ASSEMBLY - 6 SELECT - AUSTRALIA	-
1	4747014	GASKET - LOADING DOOR	1
2	4747133	DOOR - LOADING	1
3	4747003	GASKET - FRAME - 8 SELECT	1
4	4747127	FRAME - CAN MODULE - 8 SEL.	1
5	4747009	GASKET - DELIVERY DOOR	2
6	4847033	DOOR - DELIVERY - AUSTRALIA	2
7	4847034	RETAINER - LABEL - AUSTRALIA	2
8	7847004	HINGE - DOOR	3
9	4747064	SPRING - DOOR RETURN	14
10	7847003	HINGE - DELIVERY DOOR	3
11	4747135	PIN - HINGE	3



157P0090

Figure 49. Can Compartment Assembly



## Snack / Refreshment Center 2 Parts Manual

**TABLE 49. CAN COMPARTMENT ASSEMBLY**

<b>INDEX</b>	<b>PART NUMBER</b>	<b>DESCRIPTION</b>	<b>QTY</b>
-	4747001	CAN MODULE ASSEMBLY - 8 SELECT (784)	-
	4877000	CAN MODULE ASSEMBLY - 8 SELECT (787)	
1	4747110	DIVIDER AND RAIL ASSEMBLY	3
2	4747089	RETAINER - FRAME - UPPER	2
3	4741022	RETAINER - CAN MODULE	2
4	4747042	BUSHING - OPEN/CLOSED	4
5	4747044	ANGLE - EJECTOR MOUNTING CHANNEL	4
6	4847002	MOTOR & EJECT MTG. CHANNEL ASSY. (SEE FIGURE 46 FOR DETAILS)	2

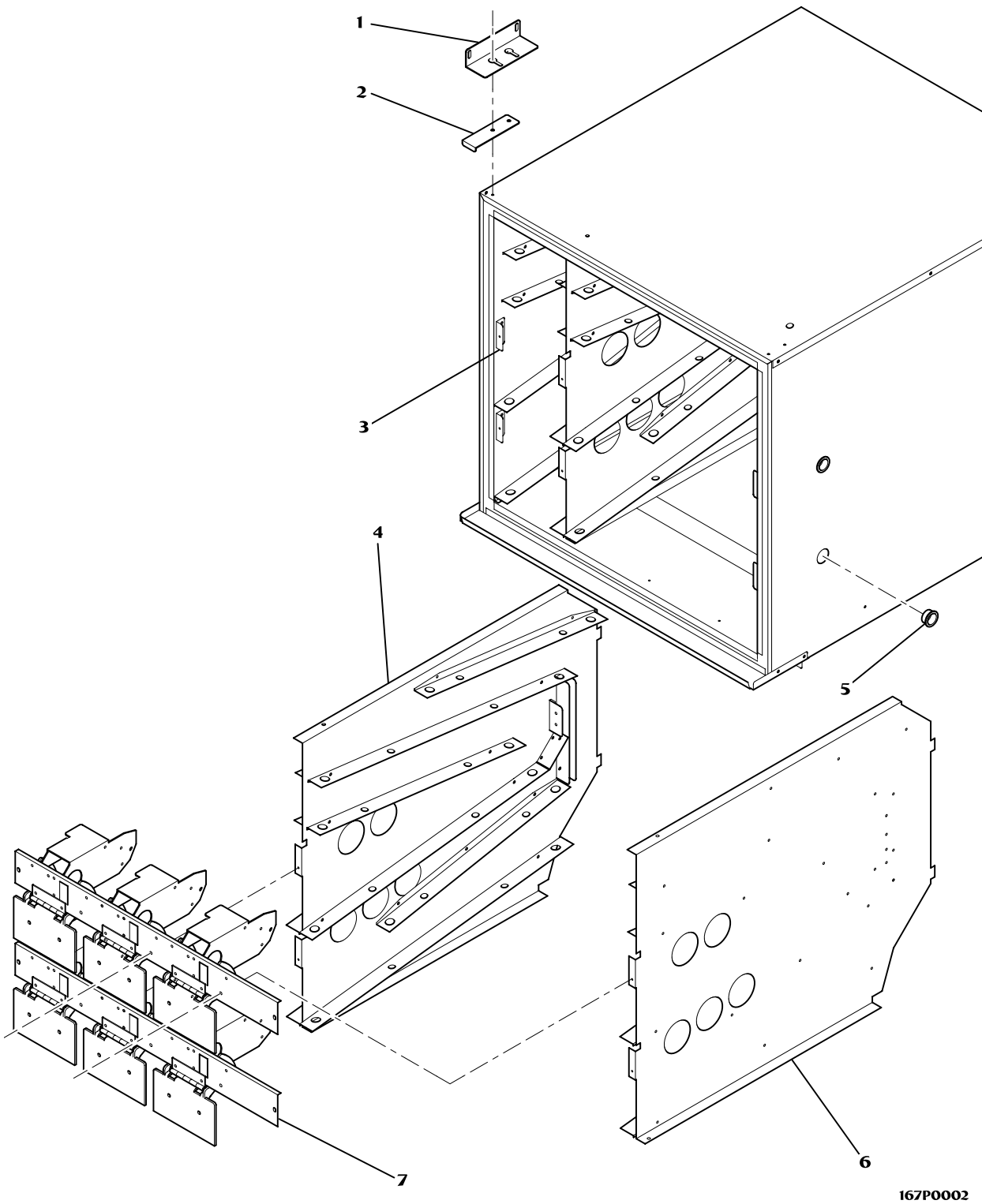


Figure 50. Can Compartment Assembly (Australia)

## Snack / Refreshment Center 2 Parts Manual

**TABLE 50. CAN COMPARTMENT ASSEMBLY (AUSTRALIA)**

<b>INDEX</b>	<b>PART NUMBER</b>	<b>DESCRIPTION</b>	<b>QTY</b>
-	4847029	CAN MODULE ASSEMBLY - 6 SELECT - AUSTRALIA	-
4	4747110	DIVIDER AND RAIL ASSEMBLY	3
2	4747089	RETAINER - FRAME - UPPER	2
1	4741022	RETAINER - CAN MODULE	2
5	4747042	BUSHING - OPEN/CLOSED	4
3	4747044	ANGLE - EJECTOR MOUNTING CHANNEL	4
7	4847035	MOTOR & EJECTOR MOUNTING CHANNEL ASSEMBLY - AUSTRALIA (SEE FIGURE 46 FOR DETAILS)	2
6	4847042	DIVIDER AND RAIL ASSEMBLY - AUSTRALIA	2

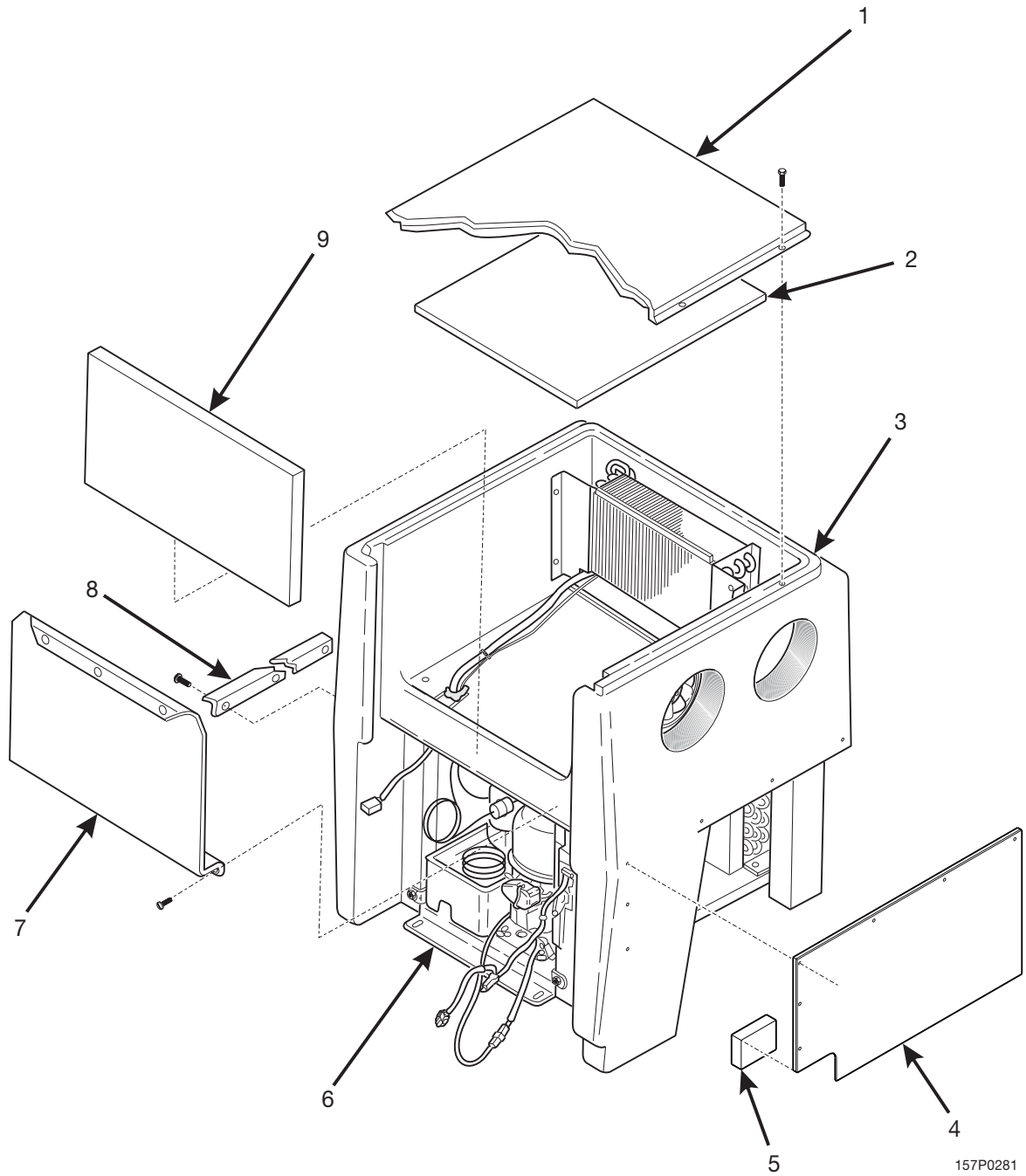


Figure 51. Refrigeration Module - Chilled Snack

## Snack / Refreshment Center 2 Parts Manual

**TABLE 51. REFRIGERATION MODULE - CHILLED SNACK**

INDEX	PART NUMBER	DESCRIPTION	QTY
1	4614080	COVER - REFRIGERATION MODULE HOUSING	1
-	4727144	SCREW - #8-18 X .62 HEX HEAD	9
2	4614118	INSULATION - REFRIGERATION MODULE	1
3	461417	HOUSING - REFRIGERATION MODULE	1
4	4641074	COVER AND SEAL ASSEMBLY - REFRIGERATION HOUSING	2
5	4641075	GASKET - COVER - REFRIGERATION HOUSING	2
6	4644000	REFRIGERATION UNIT (110 V) (SEE TABLE 53 FOR DETAILS)	1
	4644033	REFRIGERATION UNIT - INTERNATIONAL - DANFOSS (230 V)	
7	4744042	DOOR RETAINER	1
-	4727144	SCREW - #8-18 X .62 HEX HEAD	3
8	4614047	SUPPORT - INSULATION (764 ONLY)	1
-	4727144	SCREW - #8-18 X .62 HEX HEAD	3
9	4744027	DOOR - REFRIGERATION MODULE	1

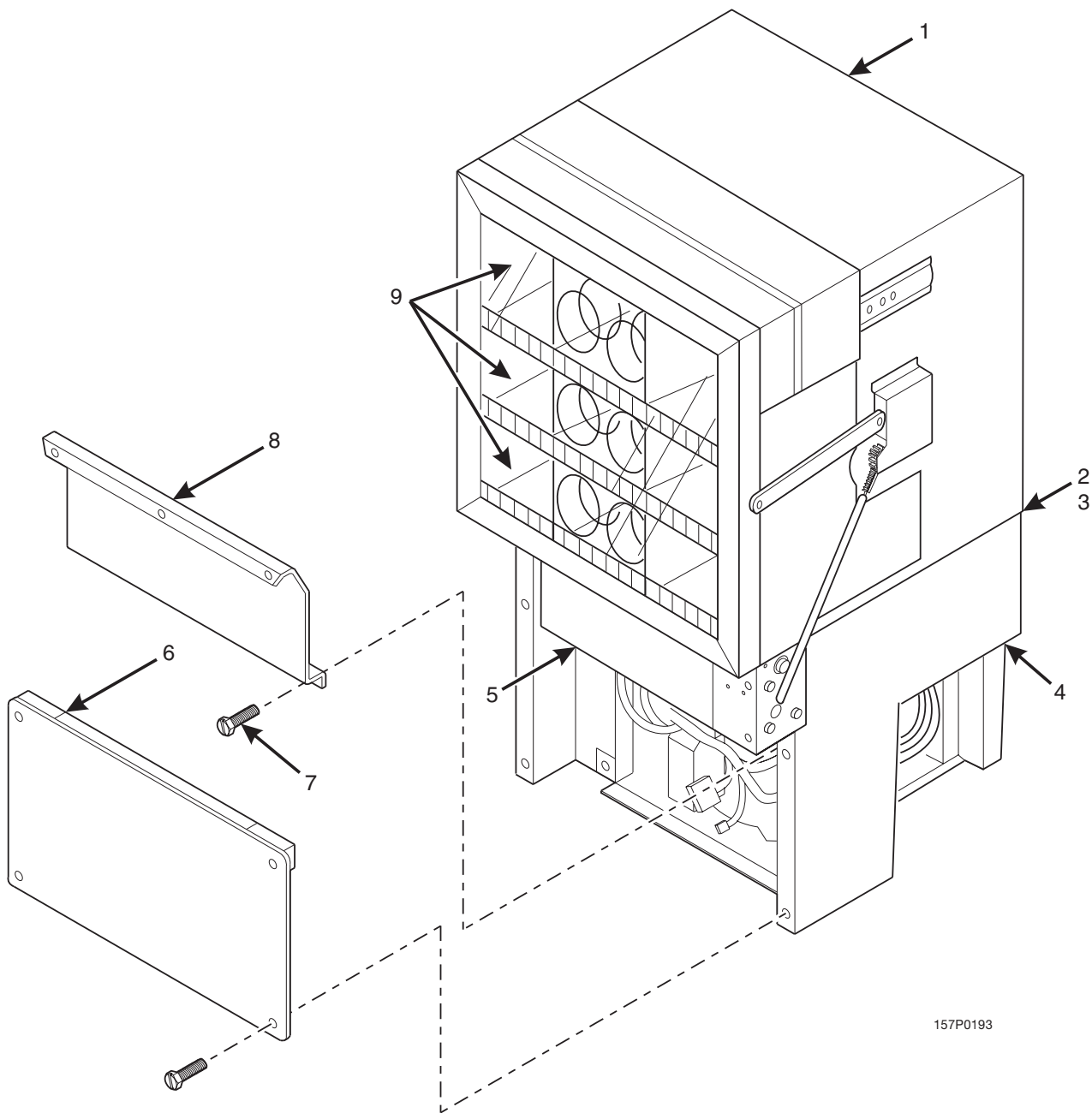
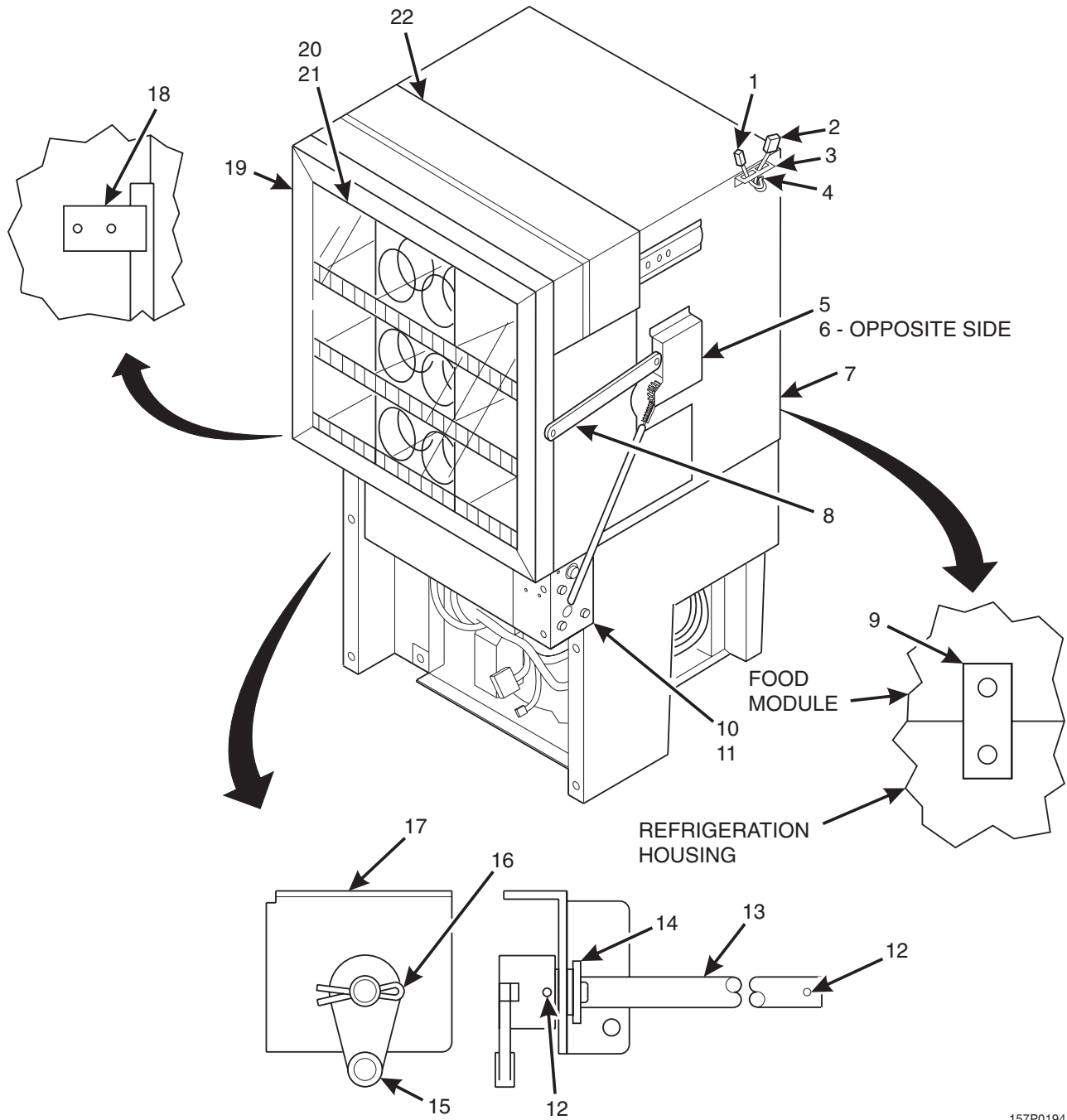


Figure 52. Refrigerated Food Module and Housing Assembly

## Snack / Refreshment Center 2 Parts Manual

**TABLE 52. REFRIGERATED FOOD MODULE AND HOUSING ASSEMBLY**

INDEX	PART NUMBER	DESCRIPTION	QTY
1	4847005	REFRIGERATED FOOD MODULE ASSEMBLY - 110V	1
	4847018	REFRIGERATED FOOD MODULE ASSEMBLY - 220V	
2	4404013	GASKET - REFIGERATED MODULE - OUTSIDE	1
3	4744017	GASKET - REFRIGERATED MODULE	1
4	7844007	REFRIGERATION MODULE ASSEMBLY - 110V	1
	4874050	REFRIGERATION MODULE ASSEMBLY - DANFOSS (230V)	
5	4744027	DOOR - REFRIGERATION MODULE	1
6	1581028	COVER & SEAL ASSY - COMPRESSOR (MODEL 784 -SHOWN)	1
	4681020	COVER & SEAL ASSY - COMPRESSOR (MODEL 787 -NOT SHOWN)	
7	4727144	SCREW - #8-18X.62 HEX HEAD	6
8	4744042	DOOR - RETAINER	1
9	-	TRAY ASSEMBLIES (SEE FIGURE 59 FOR DETAILS)	3



157P0194

Figure 53. Major Components - Refrigerated Food Module



## Snack / Refreshment Center 2 Parts Manual

**TABLE 53. MAJOR COMPONENTS - REFRIGERATED FOOD MODULE**

INDEX	PART NUMBER	DESCRIPTION	QTY
1	4119013	PROBE - TEMPERATURE SENSOR	1
2	4407009	JUMPER - CHANNEL PCB - FOOD MODULE	1
3	4407002	BRACKET - CABLE PLUG	1
-	4721035	SCREW - #8-18 X .38 - LGM	2
4	3502097	BUSHING #OCB - 500	1
5	4407069	DRIVE ARM ASSEMBLY - R.H. (SEE FIGURE XX FOR DETAILS)	1
-	9900425	RETAINING RING REINF E TYP. 312	1
-	1451097	SCREW - #8-32 X .31 HEX HD. TF - BLK	5
6	4407052	DRIVE ARM ASSEMBLY - L.H. (SEE FIGURE 64 FOR DETAILS)	1
-	9900425	SCREW - RETAINING RING REINF. E TYP. 250	1
-	1451097	SCREW - #8-32 X .31 HEX HD. TF-BLK.	-
7	4407026	HOUSING & LINER ASSEMBLY - FOOD MODULE	1
8	9900431	RETAINING RING REINF. E TYP. 312	1
9	4747062	MOUNTING STRAP - CAN MODULE	1
-	4721035	SCREW - #8-18 X .38 - LGM	-
-	4727144	SCREW - #8-18 X .62 HEX HEAD	-
10	4407077	MOTOR MOUNTING BRACKET ASSEMBLY (SEE FIGURE 66 FOR DETAILS)	1
-	4721035	SCREW - #8-18 X .38 - LGM	3
-	4727144	SCREW - #8-18 X .62 HEX HEAD	1
11	4747725	COVER - MOTOR ASSEMBLY	1
-	1451097	SCREW - #8-32 X .31 HEX HD. TF-BLK	5
-	4407086	DRIVE SHAFT ASSEMBLY (INCLUDES INDEX #'S 12 - 17)	1
12	3127034	ROLL PIN 1/8 X 13/16	2
13	4407087	SHAFT - DRIVE	1
14	4047012	SHOULDER BUSHING	1
15	4407079	ARM - DRIVE	1
16	9900098	COTTER PIN 3/32 X 3/4 IN.	2
17	4407088	BRACKT - DRIVE SHAFT	1
18	4844027	GUIDE - DOOR FRAME SUPPORT	1
19	4407115	DOOR ASSEMBLY - REFRIGERATED FOOD MODULE (SEE FIGURE 63 FOR DETAILS)	1
-	5500026	SCREW - 8-32 X 3/8 PHS T/F	-
20	4741223	DECAL - COLD/FROZEN FOOD	1
21	4612001	DECAL - "CHILLED FOR FRESHNESS"	1
22	4747716	DOOR FRAME ASSEMBLY (SEE FIGURE 56 FOR DETAILS)	1
-	5500026	SCREW - 8-32 X 3/8 PHS T/F	-

## Snack / Refreshment Center 2 Parts Manual

**TABLE 54. REFRIGERATION MODULE ASSEMBLY - FOOD (110V)**

<b>PART NUMBER</b>	<b>DESCRIPTION</b>	<b>QTY</b>
7844007	REFRIGERATION MODULE ASSEMBLY FINAL - FOOD	1
4404006	PLATE - EVAPORATOR FAN SHROUD	1
4744045	SHROUD - EVAPORATOR FAN	1
4724124	FAN - EVAPORATOR	1
4744020	SHROUD - TOP	1
4744017	GASKET - REFIGERATION MODULE	1
4844026	EVAPORATOR & TUBE ASSEMBLY - TECUMSEH	1
4404003	BAFFLE - REFRIGERATION	1
4404015	GASKET - BAFFLE - TOP	1
4404016	GASKET - BAFFLE - BOTTOM	1
3128063	DRAIN - WATER BATH	1
4744002	HOUSING - REFRIGERATION MODULE	1
4301152	DRAIN - CONDENSATE	1
4844019	TRIAC & SUPPORT ASSEMBLY - REFRIGERATED	1
3608149	BLADE - CONDENSATE FAN FV-700CW20P	1
4043121	SILENCER - FAN - MORRIL S-5847-1	1
4744112	MOTOR - CONDENSER FAN	1
4744009	BRACKET - CONDENSER MOTOR	1
4724066	GROMMET - 11/16: HIGH	1
4844002	BASE & STUD ASSEMBLY - CONDENSER	1
4304192	LABEL - R134A - SMALL	4
4744022	PAN - CONDENSATE	1
4744106	BAG - COMPRESSOR COMP - 115V	1
-	BALE STRAP	1
-	COVER	1
-	RELAY	1
-	OVERLOAD	1
-	GROMMET	4
-	SLEEVE	4
4744108	COMPRESSOR - AZ0370Y - R134A	1
3608146	SHROUD - CONDENSER FAN	1
4744109	CONDENSER - W/PROCESS TUBE	1
4744564	HARNESS - COMPRESSOR - R134A - CAN (NOT SHOWN)	1

## Snack / Refreshment Center 2 Parts Manual

**TABLE 55. REFRIGERATION MODULE ASSEMBLY - FOOD (230 V)**

PART NUMBER	DESCRIPTION	QTY
4874050	REFRIG. MOD - REFRIG. FOOD - DANFOSS	1
4774007	COVER - AIR DUCT	1
4874002	FAN - EVAPORATOR - 230V	1
4774045	MOUNTING BRACKET - FAN	1
4874043	EVAP. ASSY - SNACK/CAN - DANFOSS	1
4774003	DIVIDER WALL - AIR DUCT	1
4844001	FAN - EVAPORATOR - 230V	1
4774004	SHROUD - EVAPORATOR FAN	1
4744101	HOUSING - REFRIGERATOR MODULE	1
4774046	WALL - AIR DUCT	1
4844019	TRIAC & SUPPORT ASSY - REFRIG.	1
4644029	PAN - CONDENSATE	1
4304216	GROMMET & SLEEVE PACKAGE (4 EACH)	1
4304058	CORD RELIEF	1
4304211	COMPRESSOR - 220V - R134A - DANFOSS	1
9988902	CAPACITOR - START - 80MFD - 220/250V	1
4304214	RELAY - STARTING	1
4304057	COVER	1
4774105	BASE & STUD ASSY - COND.	1
4744009	BRACKET - CONDENSER MOTOR	1
4774122	MOTOR - CONDENSER FAN - 230V	1
4774026	SHROUD - CONDENSER FAN	1
4774027	BLADE - CONDENSER FAN	1
3634002	CONDENSER	1
4641074	COVER & SEAL ASSEMBLY - REFIG. HOUSING	1
4301152	DRAIN - CONDENSATE	1
3128063	DRAIN - WATER BATH	1
4774002	DIVIDER - EVAPORATOR	1
4744031	SEAL - .50 X .50 IN.	1
4774008	GASKET - AIR DUCT COVER	1

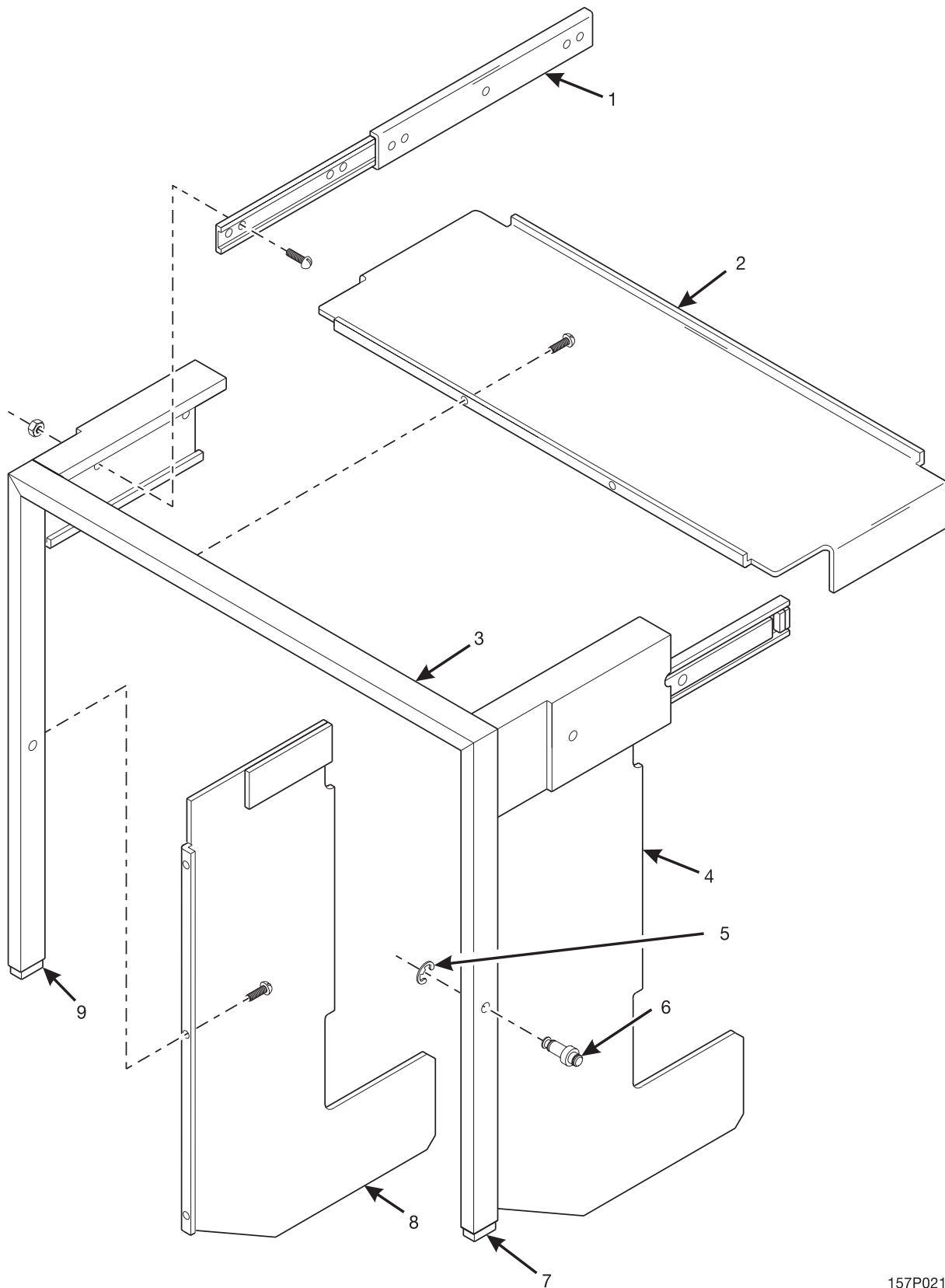


Figure 56. Food Module Door Frame Assembly

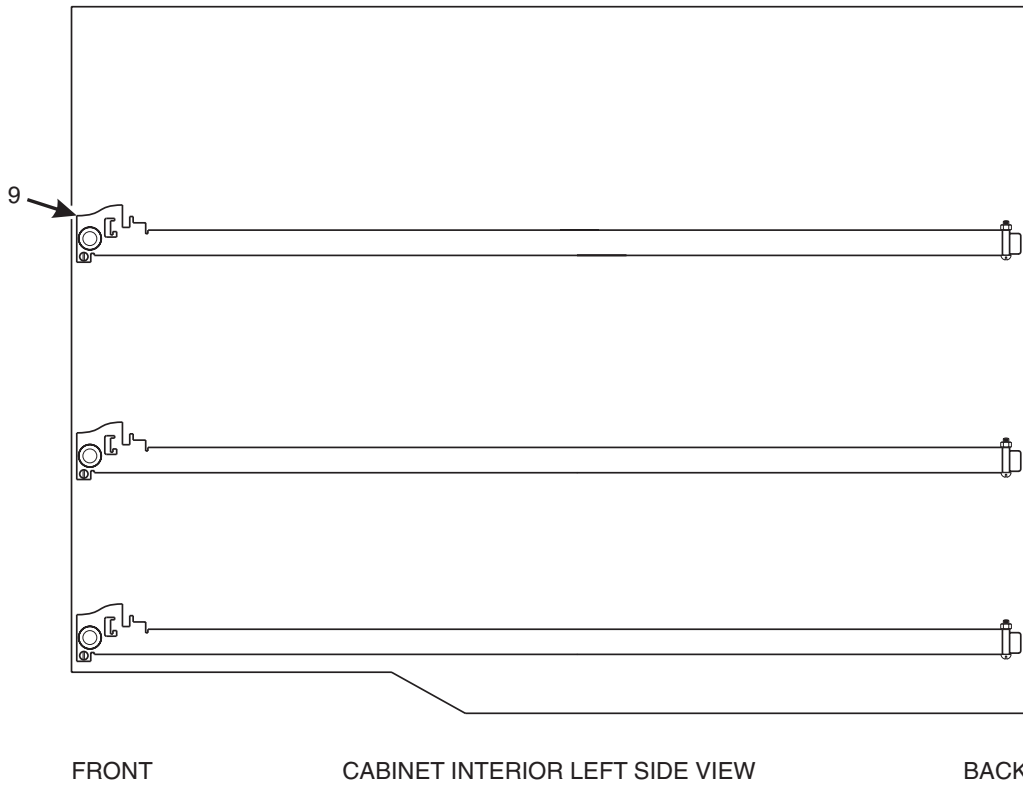
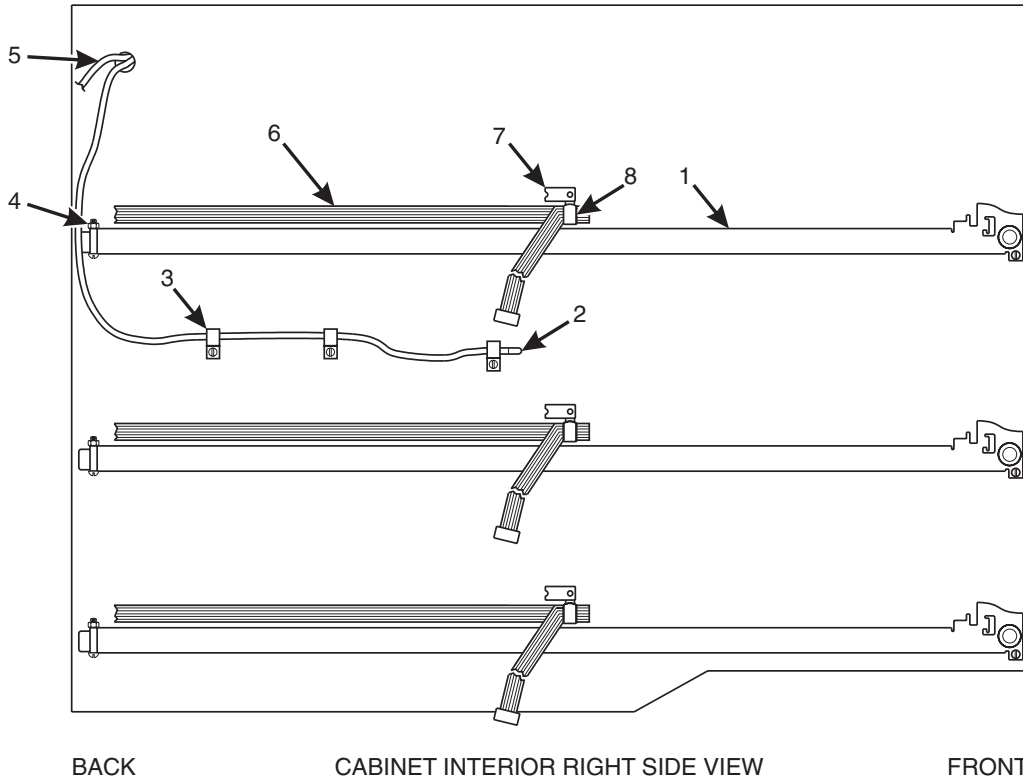
157P0211

## Snack / Refreshment Center 2 Parts Manual

**TABLE 56. FOOD MODULE DOOR FRAME ASSEMBLY**

INDEX	PART NUMBER	DESCRIPTION	QTY
-	4747716	DOOR FRAME ASSEMBLY	1
1	4407103	SLIDE - 10"	2
2	4407106	SHIELD - TOP	1
3	4407107	DOOR FRAME WELD ASSEMBLY	1
4	4407159	SHIELD - RIGHT SIDE	1
5	9900431	RETAINING RING REINF E TYP. 3	7
6	4407102	STUD - DOOR LATCH	1
7	1479120	CAPLUG - REC. ½ X 1	1
8	4407158	SHIELD - LEFT SIDE	1
9	4407101	SUPPORT - DOOR FRAME	1

# Snack / Refreshment Center 2 Parts Manual



157P0195

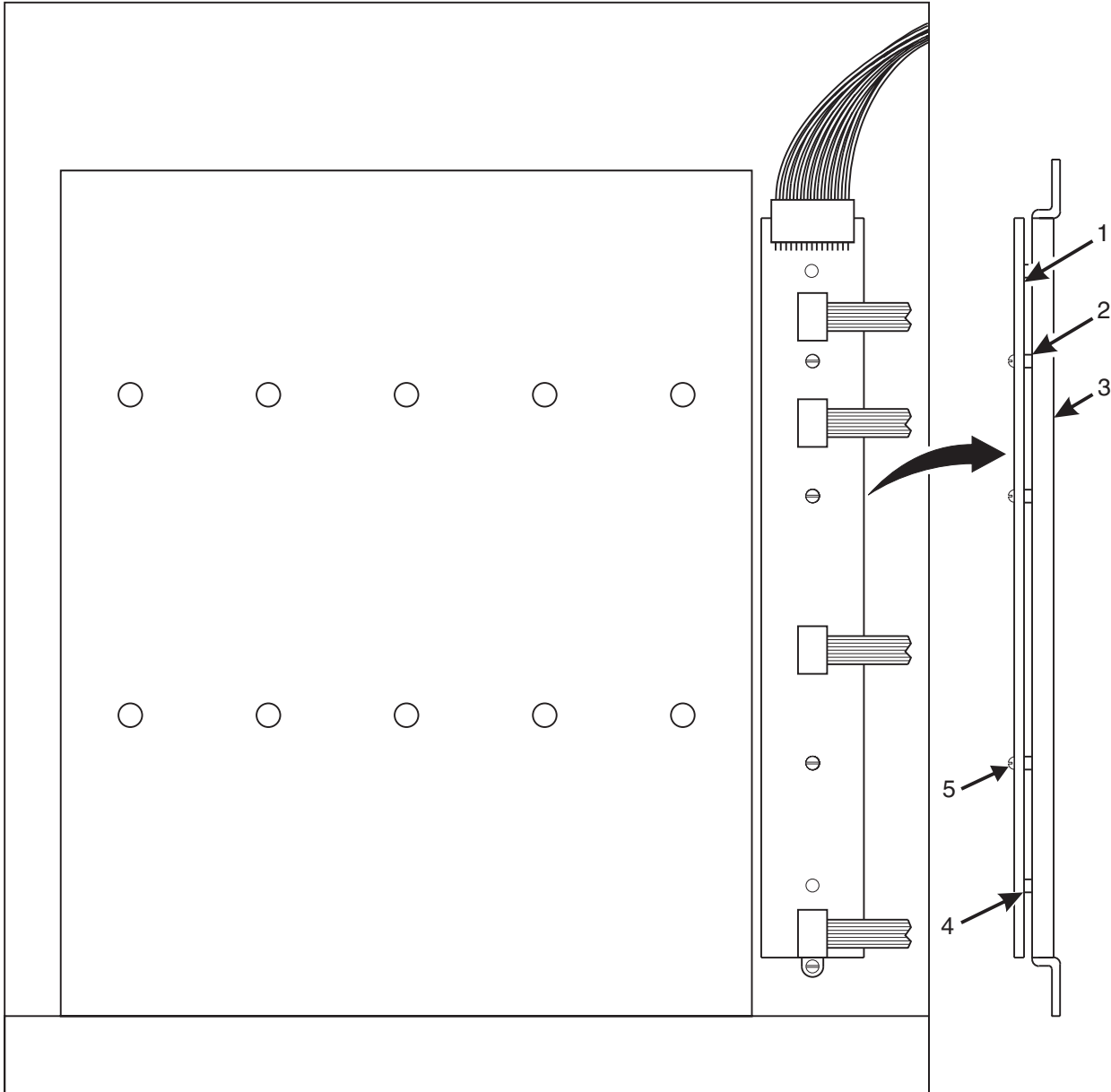
Figure 57. Refrigerated and Frozen Food Module - Interior View (Part 1 of 2)

## Snack / Refreshment Center 2 Parts Manual

**TABLE 57. REFRIGERATED AND FROZEN FOOD MODULE - INTERIOR VIEW (PART 1 OF 2)**

INDEX	PART NUMBER	DESCRIPTION	QTY
1	4407021	RAIL & ROLLER ASSEMBLY - R.H.	3
-	4402038	SCREW	3
2	4119013	PROBE - TEMPERATURE SENSOR	1
3	2342315	CLIP - WIRE HARNESS	3
-	4402038	SCREW	3
4	4407016	WIRE COVER - 6138236 - .208 ID X .88	6
-	4402037	SCREW	6
-	6104424	NUT	6
5	4407009	JUMPER - CHANNEL PCB - FOOD MODULE	1
6	4402010	FLAT CABLE ASSEMBLY	3
7	4407156	KEEPER - HARNESS	3
-	4402038	SCREW	3
8	4407014	RETANGULAR CLOSURE	3
9	4407017	RAIL & ROLLER ASSEMBLY - L.H.	3
-	4402038	SCREW	3

TOP



CABINET INTERIOR BACK VIEW

157P0197

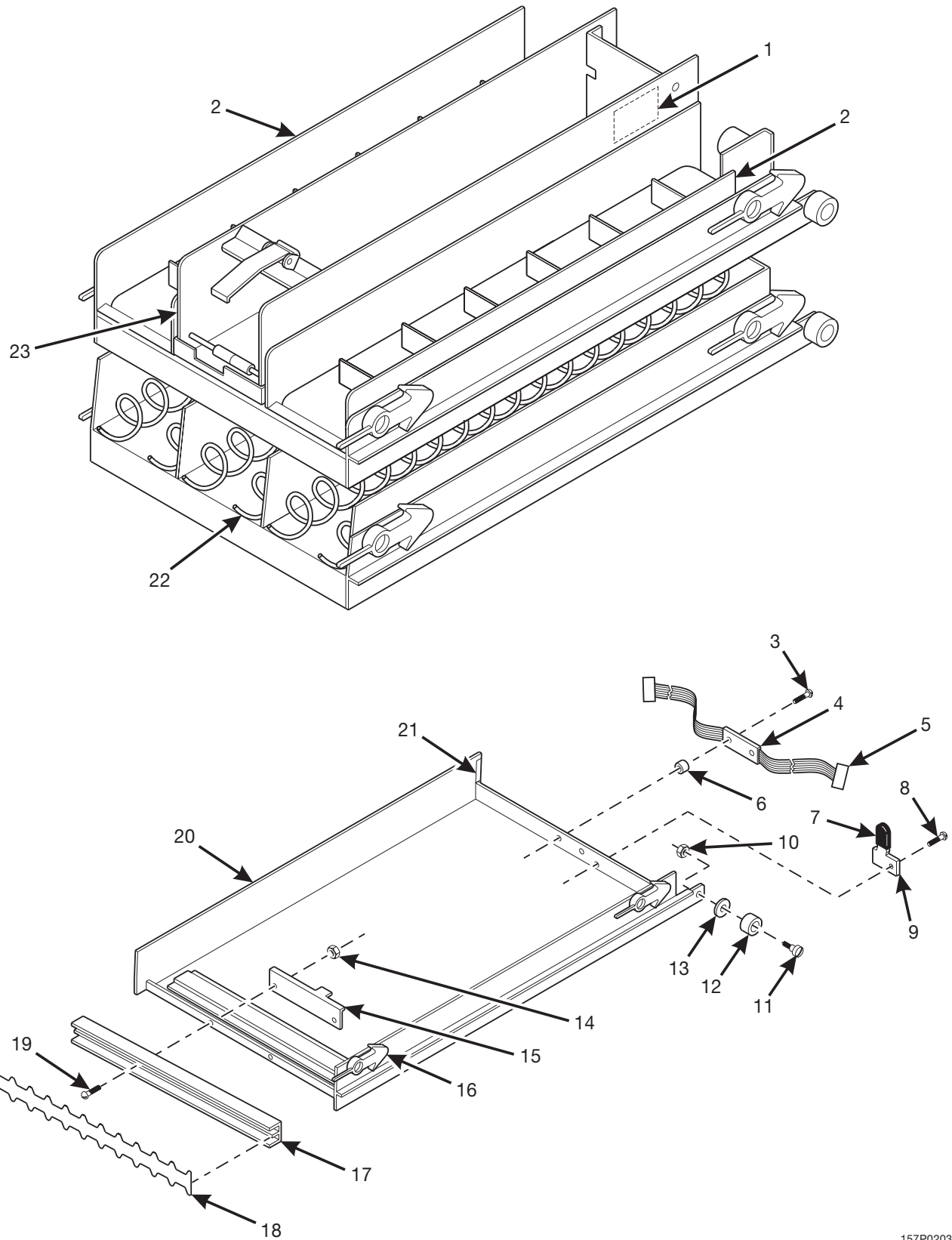
Figure 58. Refrigerated and Frozen Food Module - Interior View (Part 2 of 2)



## Snack / Refreshment Center 2 Parts Manual

**TABLE 58. REFRIGERATED AND FROZEN FOOD MODULE - INTERIOR VIEW (PART 2 OF 2)**

<b>INDEX</b>	<b>PART NUMBER</b>	<b>DESCRIPTION</b>	<b>QTY</b>
1	4401000	PCB ASSY - CHANNEL - FOOD MOD	1
2	4407025	SPACER	3
3	4407146	BRACKET - P.C. BOARD (PAINTED)	1
4	4407024	SUPPORT - CIR. BD. MINIATURE	2
5	6107240	SPACER	3



157P0203

Figure 59. General Tray Assemblies - Refrigerated Food Module

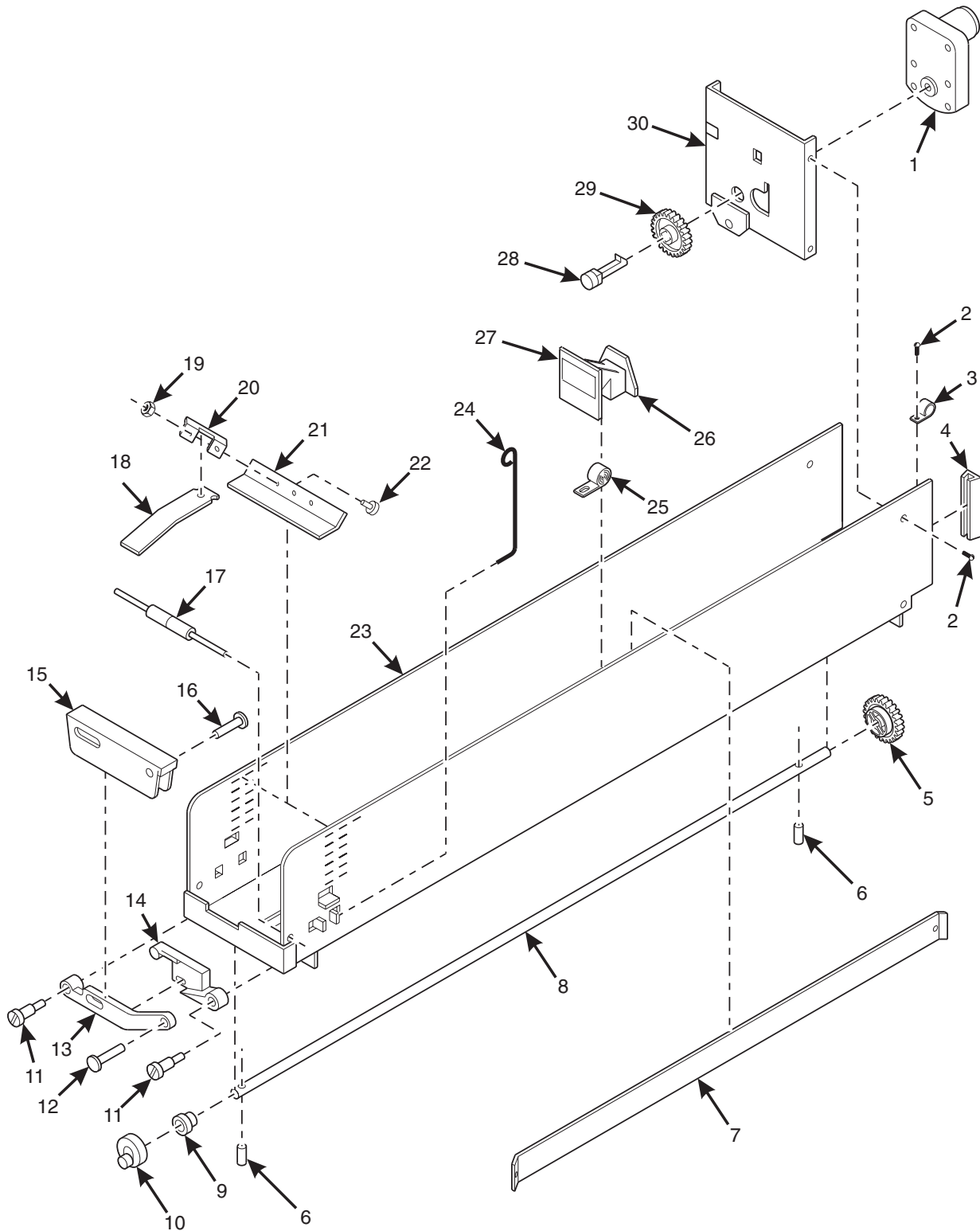
## Snack / Refreshment Center 2 Parts Manual

**NOTE**

*Tray assemblies can be configured several different ways:  
All spirals, all belts, or 2 belts and 1 pusher. This table represents parts common to all trays including the modules needed to configure trays for spirals, belts or pushers*

**TABLE 59. GENERAL TRAY ASSEMBLIES - REFRIGERATED FOOD MODULE**

INDEX	PART NUMBER	DESCRIPTION	QTY
1	4757500	LABEL - TRAY REMOVAL	1
2	4407600	BELT MODULE ASSEMBLY (SEE FIGURE 61 FOR DETAILS)	OPT
-	3104138	SCREW #8-32 X 3/8 PHS T/C SS	-
3	6107240	SCREW - #6-32 X 1/2 PHS - TCS.S.	2
4	4402008	PCB ASSEMBLY - TRAY - FOOD MODULE	1
5	4407501	HARNESS - 6 MOTOR - FOOD MODULE	1
6	4407025	SPACER - .38 OCX .14IDX .187L	2
7	4407114	RETANGULAR CLOSURE	1
8	4402038	SCREW #8 - 15 X .38 STAINLESS	1
9	4407516	RETAINER - HARNESS	1
10	4402046	NUT #1/4 - 20 SELF LOCKING - SS	2
11	4407514	STUD - TRAY ROLLER	2
12	4407019	ROLLER - TRAY	2
13	4402041	WASHER - 5/8 X 9/32 X 1/16 - SS	2
14	4402043	NUT #8-32 W/L.W. - S.S.	2
15	4407845	RETAINER - SPIRAL MODULE (USED WITH INDEX #22 ONLY)	1
16	1477017	LATCH	4
-	5201267	PUSH ON RETAINER .312	4
17	4407503	RAIL - PRICE & SELECTION	1
18	4407504	HOLDER - PRICE & SELECTION	1
19	3108221	SCREW #8-32 X 3/8 PHS ST. STL.	2
20	4402034	TRAY WELD ASSEMBLY (PAINTED)	1
21	4407502	GROMMET - 3156015 - 2.0 LG.	1
22	4844035	COVER - TRAY MOTORS (USED WITH SPIRAL MODULE ONLY)	1
23	4844032	SEAL - MOTOR SHIELD (USED WITH SPIRAL MODULE ONLY)	1
24	4407800	SPIRAL MODULE ASSEMBLY - 3 SELECT (SEE FIGURE 62 FOR DETAILS)	OPT
-	3104138	SCREW #8-32 X 3/8 PHS T/C SS	-
25	4407700	PUSHER MODULE ASSEMBLY (SEE FIGURE 60 FOR DETAILS)	OPT
-	3104138	SCREW #8-32 X 3/8 PHS T/C SS	-



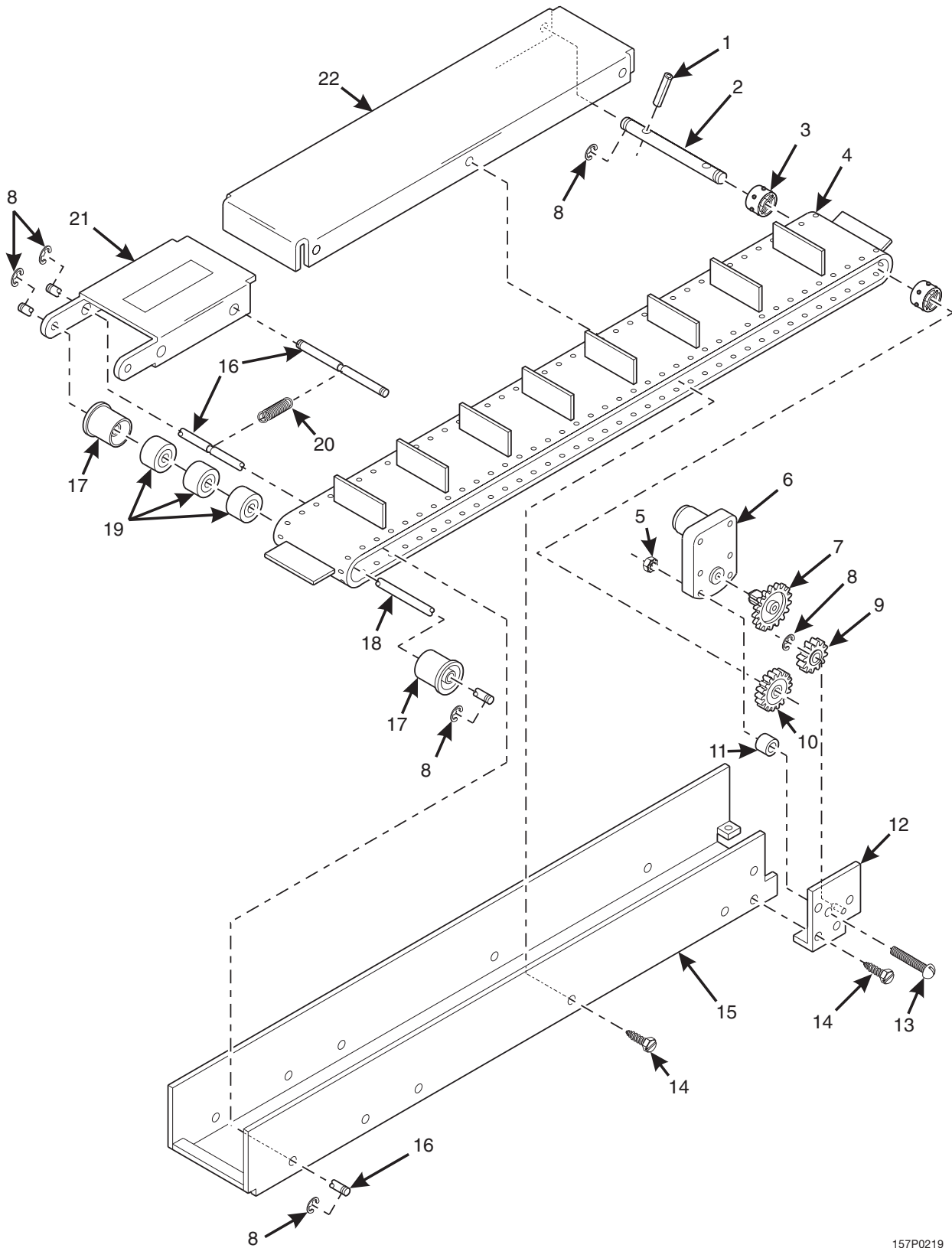
157P0217

Figure 60. Pusher Module Assembly

## Snack / Refreshment Center 2 Parts Manual

**TABLE 60. PUSHER MODULE ASSEMBLY**

INDEX	PART NUMBER	DESCRIPTION	QTY
-	4407700	PUSHER MODULE ASSEMBLY	-
1	4744555	MOTOR & PCB ASSEMBLY	1
2	4402038	SCREW #8-15 X .38 STAINLESS	5
3	2342315	CLIP - WIRE HARNESS	1
4	4407502	GROMMET - 3156015 - 2.0 LONG	2
5	4407710	GEAR - EJECTOR SHAFT	1
6	5220463	ROLL PIN .093 X 7/16	2
7	4402213	SPACER - PRODUCT	1
8	4407742	SHAFT - EJECTOR	1
9	4407722	BUSHING - EJECTOR SHAFT	1
10	4407708	CAM - EJECTOR	1
11	4407739	STUD - EJECTOR - PUSHER	2
12	4407740	STUD - EJECTOR - BRACKET - LEFT	1
13	4407716	ARM - EJECTOR - LEFT	1
14	4407717	ARM - EJECTOR - RIGHT	1
15	4407735	BRACKET - EJECTOR	1
16	4407741	STUD - EJECTOR BRACKET - RIGHT	1
17	4407729	ROLLER & SHAFT ASSEMBLY - PUSHER (CONTAINS THE NEXT 3 ITEMS)	1
	4407731	SHAFT - PUSHER MODULE	1
	4407730	ROLLER - PUSHER MODULE	2
	2366055	SPEED CLIP COMPRESSION RING	2
18	4407736	STOP - PACKAGE	1
19	6104429	KEPS NUT #6-32 S.S. EXT LW	2
20	4407737	KEEPER - STOP	1
21	4407738	GUIDE - PACKAGE	1
22	4402039	SCREW #6-32 X 1/4 RHS - S.S.	2
23	4402212	FRAME ASSEMBLY - PUSHER	1
24	4407707	RETAINER - GUIDE	2
25	4407713	SPRING - PUSHER	1
26	4407728	LABEL - SOLD OUT	1
27	4407714	PUSHER - PRODUCT	1
28	4407712	COUPLING - MOTOR	1
29	4407711	GEAR - DRIVE - PUSHER	1
30	4407734	BRACKET & MOTOR PANEL ASSEMBLY	1



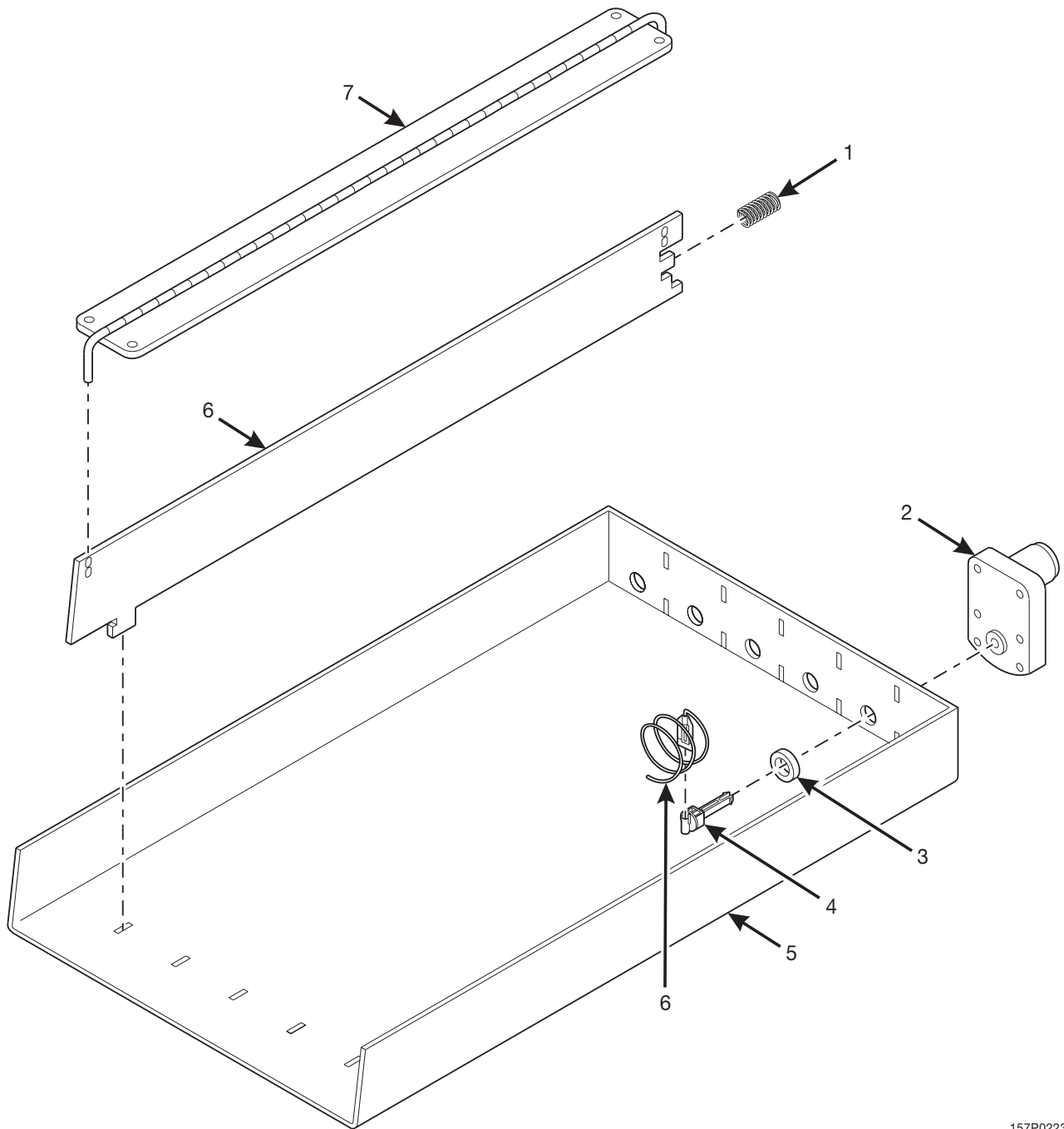
157P0219

Figure 61. Belt Module Assembly

## Snack / Refreshment Center 2 Parts Manual

**TABLE 61. BELT MODULE ASSEMBLY**

INDEX	PART NUMBER	DESCRIPTION	QTY
-	4407600	BELT MODULE ASSEMBLY	-
1	6104219	ROLL PIN	2
2	4407634	SHAFT - DRIVE SPROCKET	1
3	4407619	SPROCKET - DRIVE	2
4	4407604	BELT - CONVEYOR	1
5	4402043	NUT #8-32 W/L.W. - S.S.	2
6	4744555	MOTOR & PCB ASSEMBLY	1
7	4407615	GEAR - DRIVE MOTOR	1
8	3103029	WALDES TRUARC RING	9
9	4407616	GEAR - IDLER - BELT MODULE	1
10	4407618	GEAR - BELT DRIVE	1
11	4407617	SPACER - MOTOR	2
12	4407622	BRACKET & STUD ASSEMBLY	1
13	4402036	SCREW #8-32 X 1 3/8 RHS - SS.	2
14	4402038	SCREW #8-15 X .38 STAINLESS	9
15	4407628	FRAME ASSEMBLY - BELT MODULE	1
16	4407632	SHAFT - BELT ADJUSTOR	2
17	4407611	ROLLER - BELT - OUTSIDE	2
18	4407633	SHAFT - BELT - FRONT	1
19	4407612	ROLLER - BELT - INSIDE	3
20	4407607	SPRING - BELT TENSION	1
21	4407630	SUPPORT - BELT - FRONT	1
22	4407629	SUPPORT - BELT - REAR	1



157P0223

Figure 62. Spiral Module Assembly



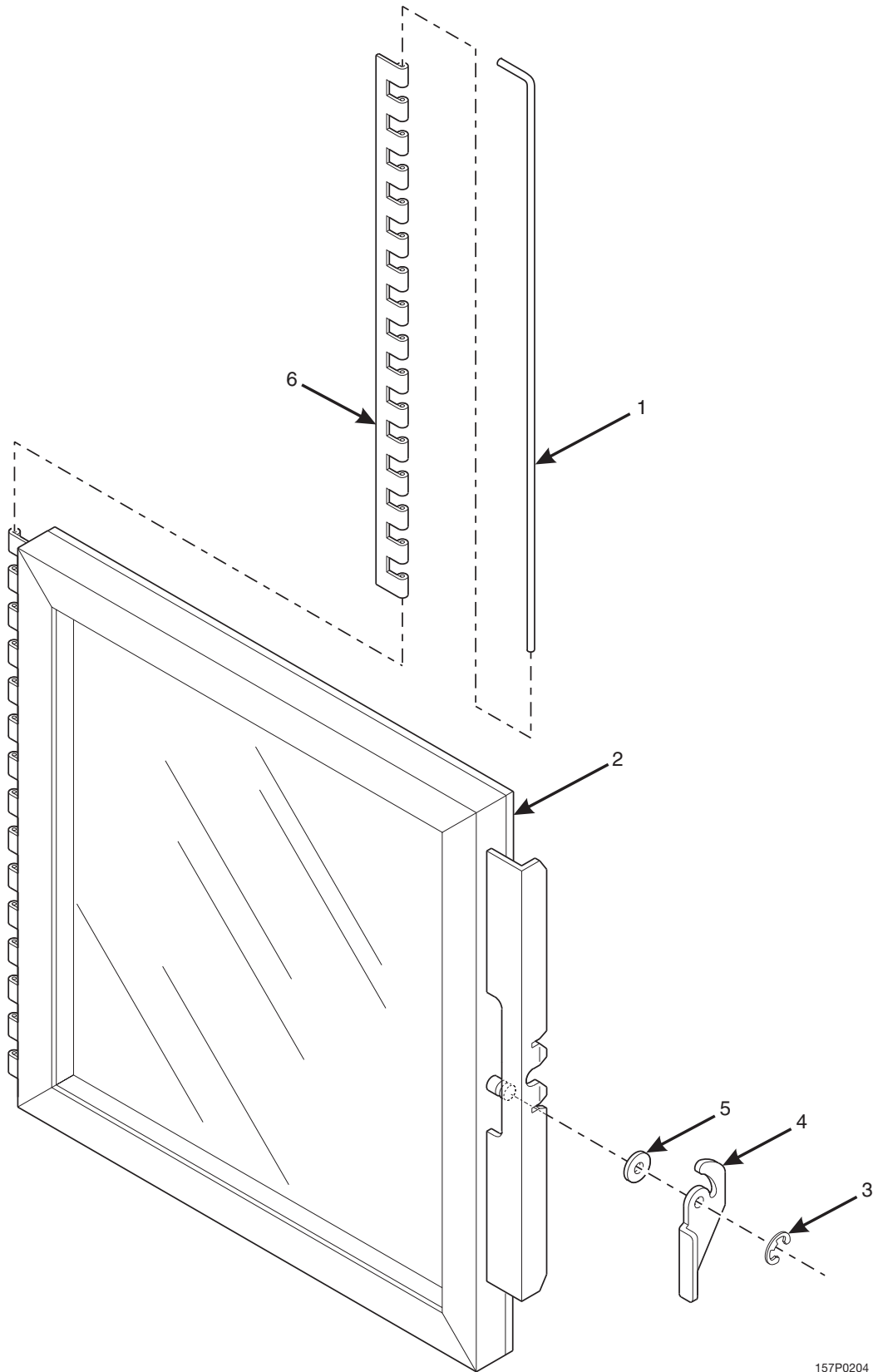
## Snack / Refreshment Center 2 Parts Manual

**TABLE 62. SPIRAL MODULE ASSEMBLY**

INDEX	PART NUMBER	DESCRIPTION	QTY
1	4407808	SPRING - DIVIDER	2
2	4744555	MOTOR & PCB ASSEMBLY	6
3	4407803	SPACER - MOTOR	6
4	1477113	COUPLING - SPIRAL	6
5	4407842	FRAME ASSY - SPIRAL MODULE	1
6	4407844	DIVIDER - SPIRAL MODULE	2
7	4407843	SPACER - ADJUSTABLE	1

**TABLE 1 N. SPIRAL OPTIONS (FOR REFRIGERATED / FROZEN FOOD TRAYS)**

		LEFT HAND		RIGHT HAND		
SPIRAL COUNT	RETAINER COLOR	ASSEMBLY	SPIRAL	ASSEMBLY	SPIRAL	RETAINER
5	TAN	4407815	4407816	4407818	4407819	4407817
6	DK. GREEN	4407820	4407821	4407823	4407824	4407822
7	MAUVE	4407825	4407826	4407828	4407829	4407827
9	AQUA	4407830	4407832	4407834	4407835	4407833
12	BLACK	4407837	4407838	4407839	4407840	1477073



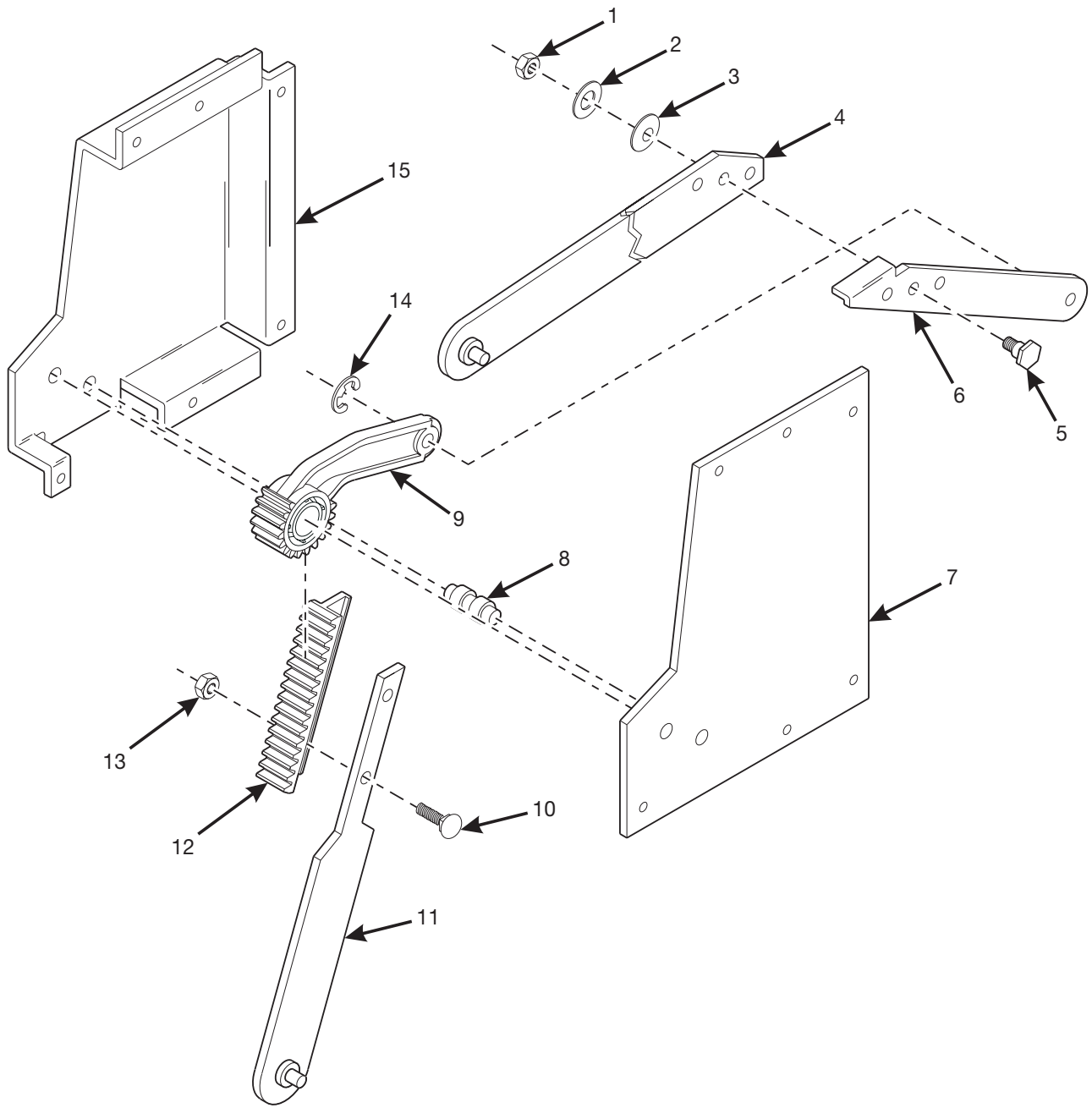
157P0204

Figure 63. Door Assembly - Refrigerated Food Module

## Snack / Refreshment Center 2 Parts Manual

**TABLE 63. DOOR ASSEMBLY - REFRIGERATED FOOD MODULE**

<b>INDEX</b>	<b>PART NUMBER</b>	<b>DESCRIPTION</b>	<b>QTY</b>
-	4407115	DOOR ASSEMBLY REFRIGERATED FOOD MODULE	-
1	4407120	PIN - HINGE	1
2	-	DOOR (NOT AVAILABLE SEPARATELY)	1
3	9900425	RETAINING RING REINF. E TYP. 250	1
4	4407160	LEVER - LATCH	1
5	5220113	SPRING WASHER .500 X .254 X .006	1
6	4407132	HINGE - FOOD MODULE DOOR	1



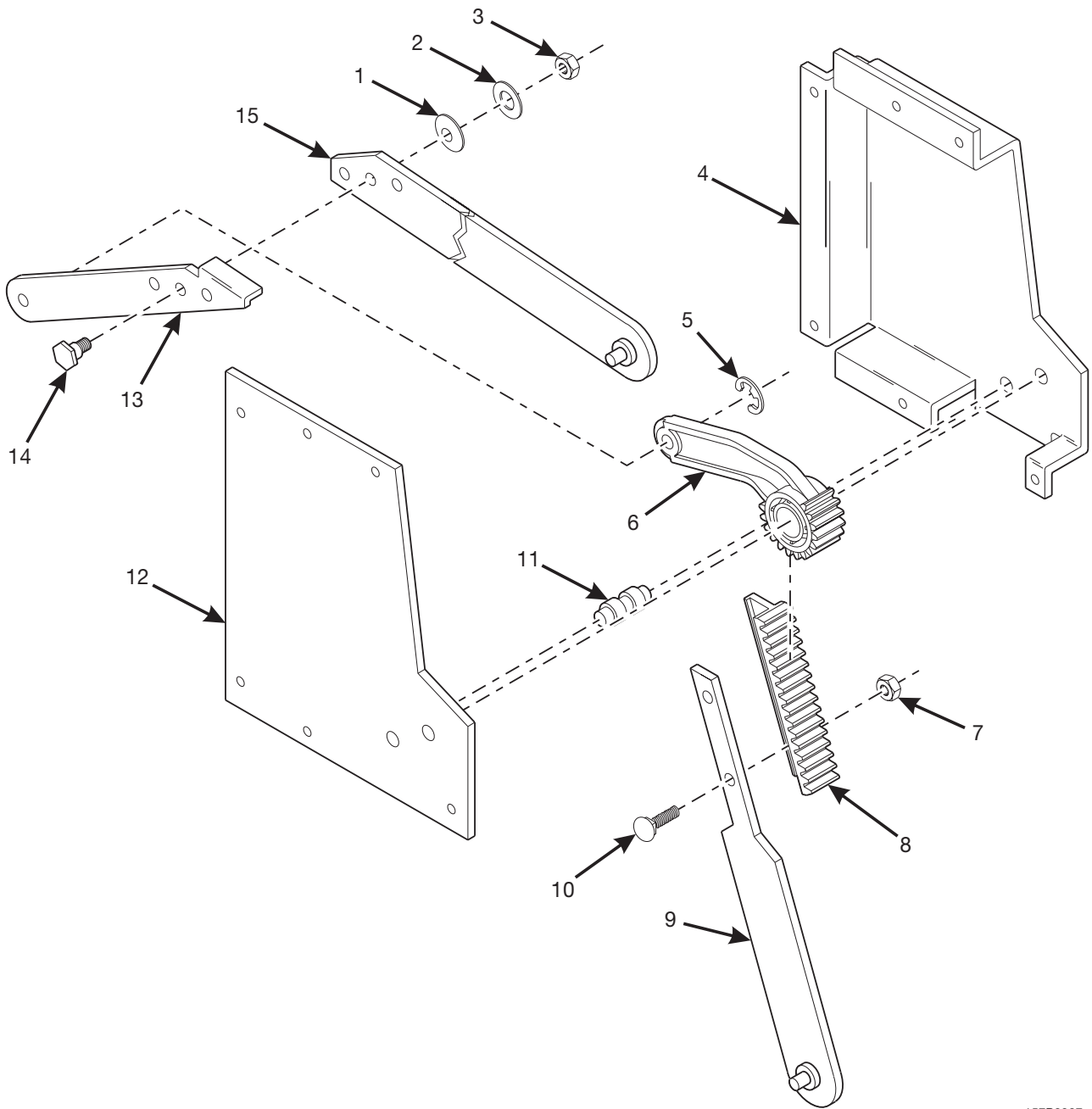
157P0206

Figure 64. Left Hand Drive Arm Assembly

## Snack / Refreshment Center 2 Parts Manual

**TABLE 64. LEFT HAND DRIVE ARM ASSEMBLY**

INDEX	PART NUMBER	DESCRIPTION	QTY
-	4407052	DRIVE ARM ASSEMBLY - L.H.	1
1	1412046	8-32 NUT MF 23TW832 BLOX	1
2	5202012	SPACER EXTENSION BAR	1
3	2202109	SPRING WASHER	1
4	4407059	FRAME DRIVE ARM ASSEMBLY - LONG - L.H.	1
5	4407058	PIVOT - FRAME DRIVE ARM	1
6	4407062	FRAME DRIVE ARM ASSEMBLY - SHORT - L.H.	1
7	4407053	PLATE - TOGGLE - L.H.	1
8	4407055	ROLLER - DRIVE RACK	1
9	4975011	ARM - TOGGLE	1
10	1306140	8-32 X 3/8 CARRIAGE BOLT BLK/OX	2
11	4407067	DRIVE RACK ARM ASSEMBLY	1
12	4407066	RACK DRIVE	1
13	9900072	NUT #8-32 SELF-LOCKING	2
14	9900425	RETAINING RING REINF E TYP. 250	1
15	4407133	COVER - TOGGLE - L.H.	1



157P0207

Figure 65. Right Hand Drive Arm Assembly

## Snack / Refreshment Center 2 Parts Manual

**TABLE 65. RIGHT HAND DRIVE ARM ASSEMBLY**

INDEX	PART NUMBER	DESCRIPTION	QTY
-	4407069	DRIVE ARM ASSEMBLY - R.H.	1
1	2202109	SPRING WASHER	1
2	5202012	SPACER EXTENSION BAR	1
3	1412046	8-32 NUT MF 23TW832 BLOX	1
4	4407134	COVER - TOGGLE - R.H.	1
5	9900425	RETIANING RING REINF E TYP. 250	1
6	4975011	ARM - TOGGLE	1
7	9900072	NUT #8-32 SELF-LOCKING	2
8	4407066	RACK - DRIVE	1
9	4407067	DRIVE RACK ARM ASSEMBLY	1
10	1306140	8-32 X 3/8 CARRIAGE BOLT BLK/OX	2
11	4407055	ROLLER - DRIVE RACK	1
12	4407070	PLATE - TOGGLE - R.H.	1
13	4407074	FRAME DRIVE ARM ASSEMBLY	1
14	4407058	PIVOT - FRAME DRIVE ARM	1
15	4407139	ARM - LONG - DOOR FRAME - R.H. - PAINTED	1

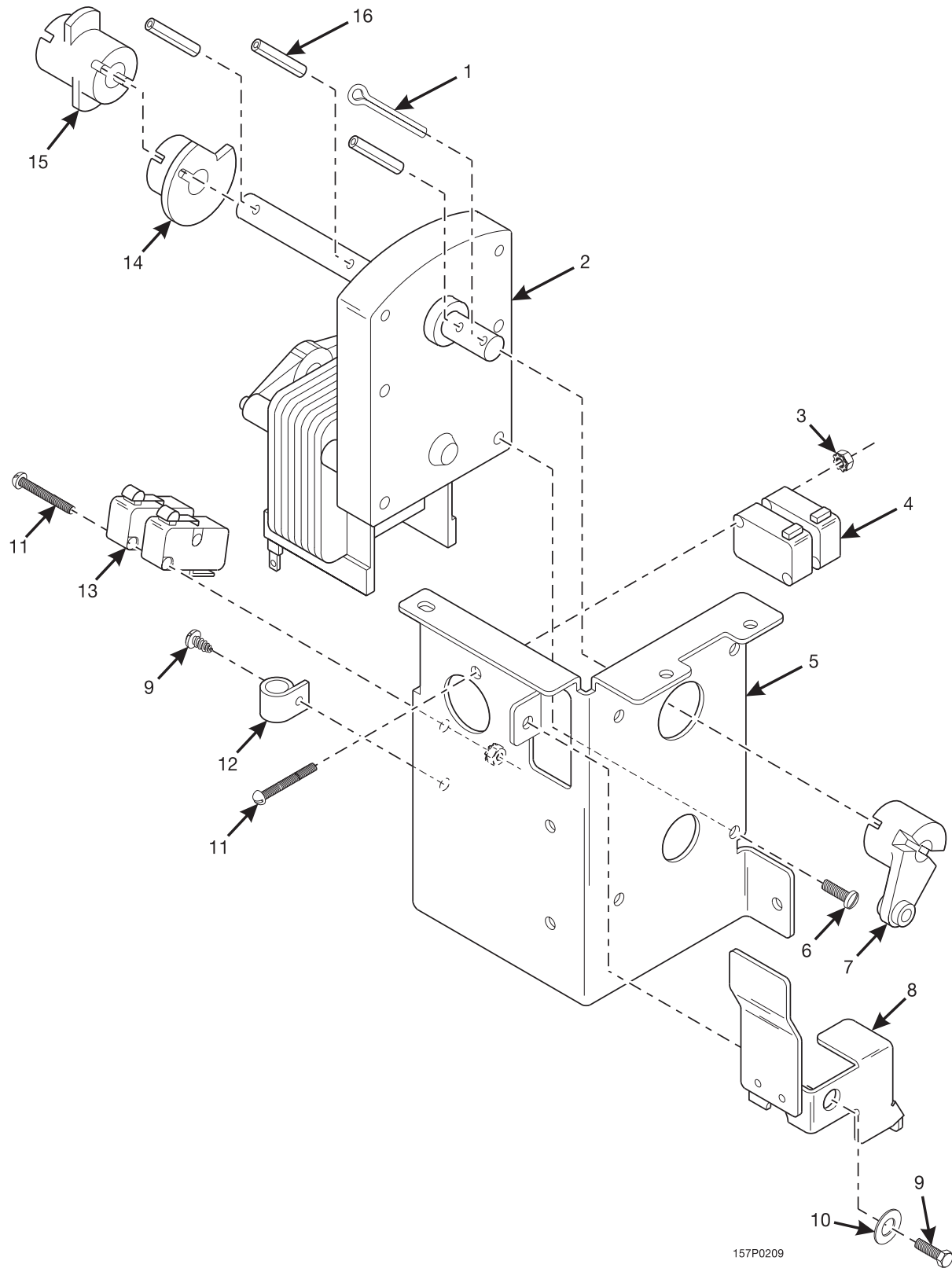


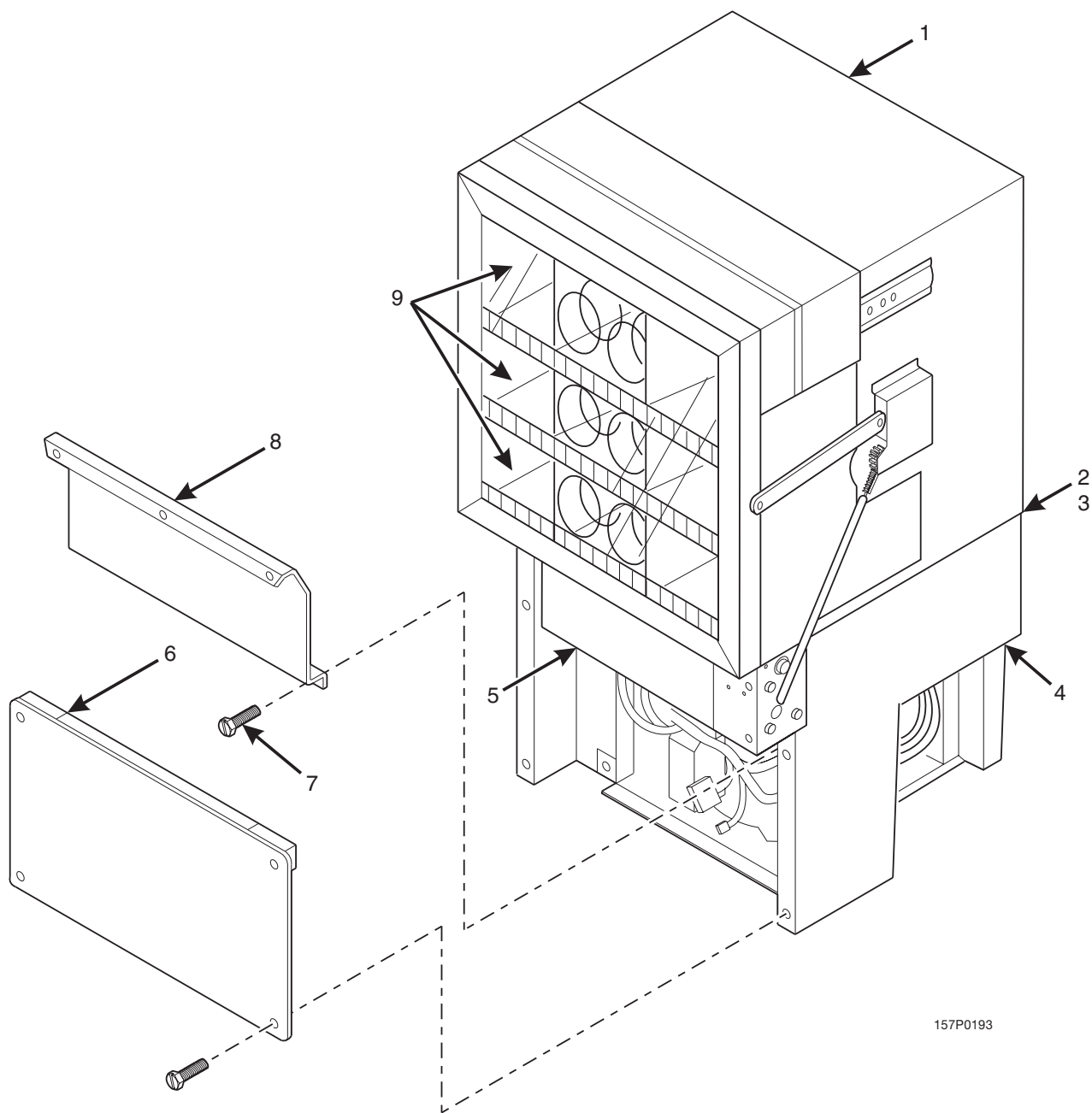
Figure 66. Motor Mounting Bracket Assembly



## Snack / Refreshment Center 2 Parts Manual

**TABLE 66. MOTOR MOUNTING BRACKET ASSEMBLY**

INDEX	PART NUMBER	DESCRIPTION	QTY
-	4407077	MOTOR MOUNTING BRACKET ASSEMBLY - 110V	1
-	4847017	MOTOR MOUNTING BRACKET ASSEMBLY - 230V	1
1	9900098	COTTER PIN - 3/32 X 3/4 IN.	1
2	4407157	MOTOR - FOOD MODULE (110V)	1
2	4847003	MOTOR - FOOD MODULE (230V)	1
3	1217159	4-40 KEPS W/EXT L/WAS H ZP	4
4	9984632	SWITCH - BASIC	2
5	4407131	MOUNTING BRACKET - MOTOR	1
6	9900023	SCREW - #8-32 X .37 PHS W/LW	4
7	4407079	ARM - DRIVE	1
8	4407084	ACTUATOR ASSEMBLY - H.C. SWITCH	1
9	1451097	SCREW - #8-32 X .31 HEX HD. TF - BLK	2
10	2228011	SPACER RELEASE ARM	1
11	5201086	SCREW #4-40 X 1 RHS	4
12	1452139	RETAINER - HARNESS	1
13	9984634	SWITCH ROLLER LEVER	2
14	4407093	CAM - H.C. SWITCH OVERRIDE	1
15	4407080	COUPLING - MOTOR & DRIVE SHAFT	1
16	3127034	ROLL PIN 1/8 X 13/16	3



157P0193

Figure 67. Frozen Food Module and Housing Assembly

## Snack / Refreshment Center 2 Parts Manual

**TABLE 67. FROZEN FOOD MODULE AND HOUSING ASSEMBLY**

INDEX	PART NUMBER	DESCRIPTION	QTY
1	4847005	REFRIGERATED FOOD MODULE ASSEMBLY - 110V	1
	4847018	REFRIGERATED FOOD MODULE ASSEMBLY - 220V	
2	4404013	GASKET - REFIGERATED MODULE - OUTSIDE	1
3	4744017	GASKET - REFRIGERATED MODULE	1
4	7844007	REFRIGERATION MODULE ASSEMBLY - 110V	1
	4874050	REFRIGERATION MODULE ASSEMBLY - DANFOSS (230V)	
5	4744027	DOOR - REFRIGERATION MODULE	1
6	1581028	COVER & SEAL ASSY - COMPRESSOR (MODEL 784 -SHOWN)	1
	4681020	COVER & SEAL ASSY - COMPRESSOR (MODEL 787 -NOT SHOWN)	
7	4727144	SCREW - #8-18X.62 HEX HEAD	6
8	4744042	DOOR - RETAINER	1
9	-	TRAY ASSEMBLIES (SEE FIGURE 59 FOR DETAILS)	3

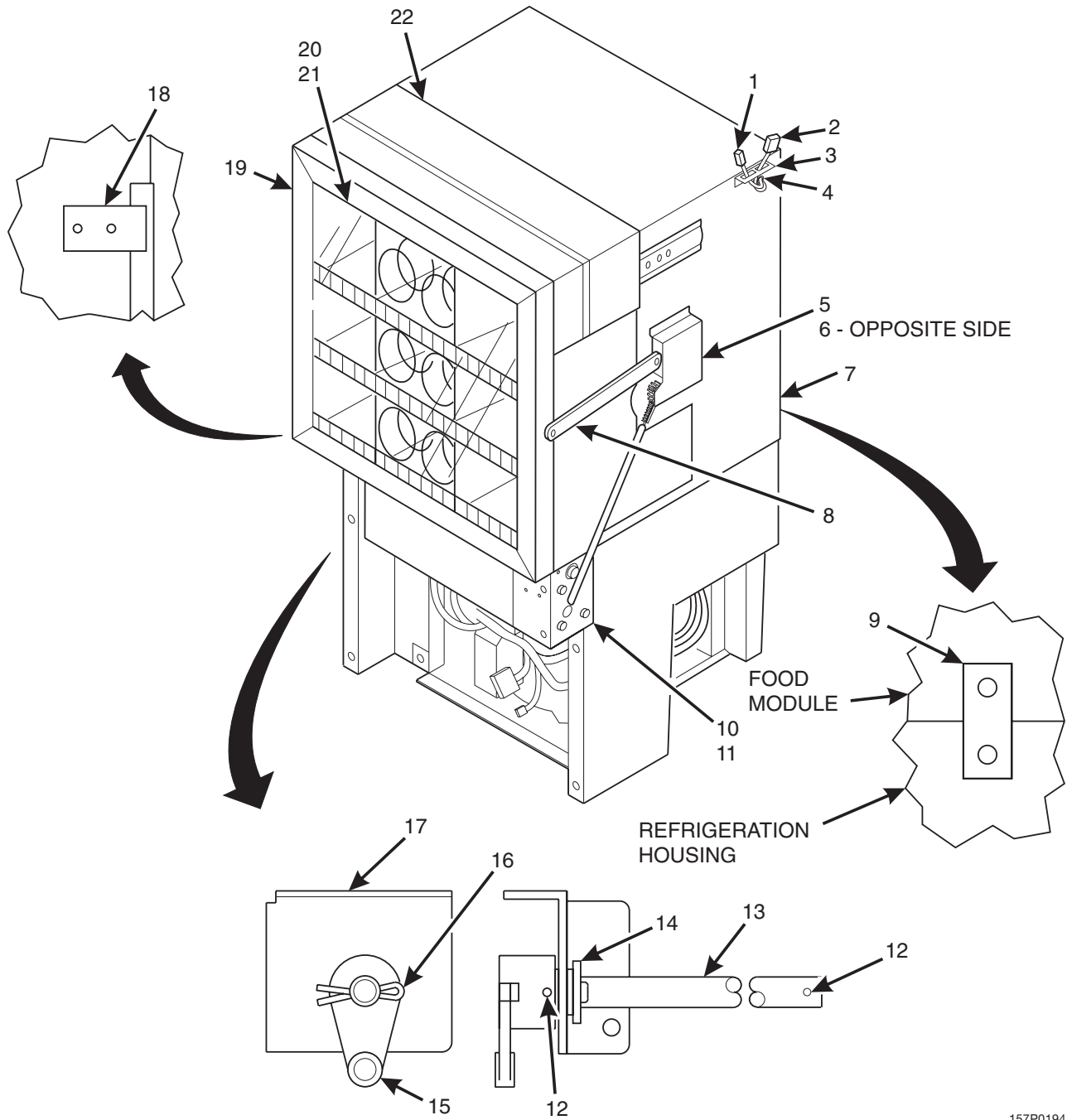


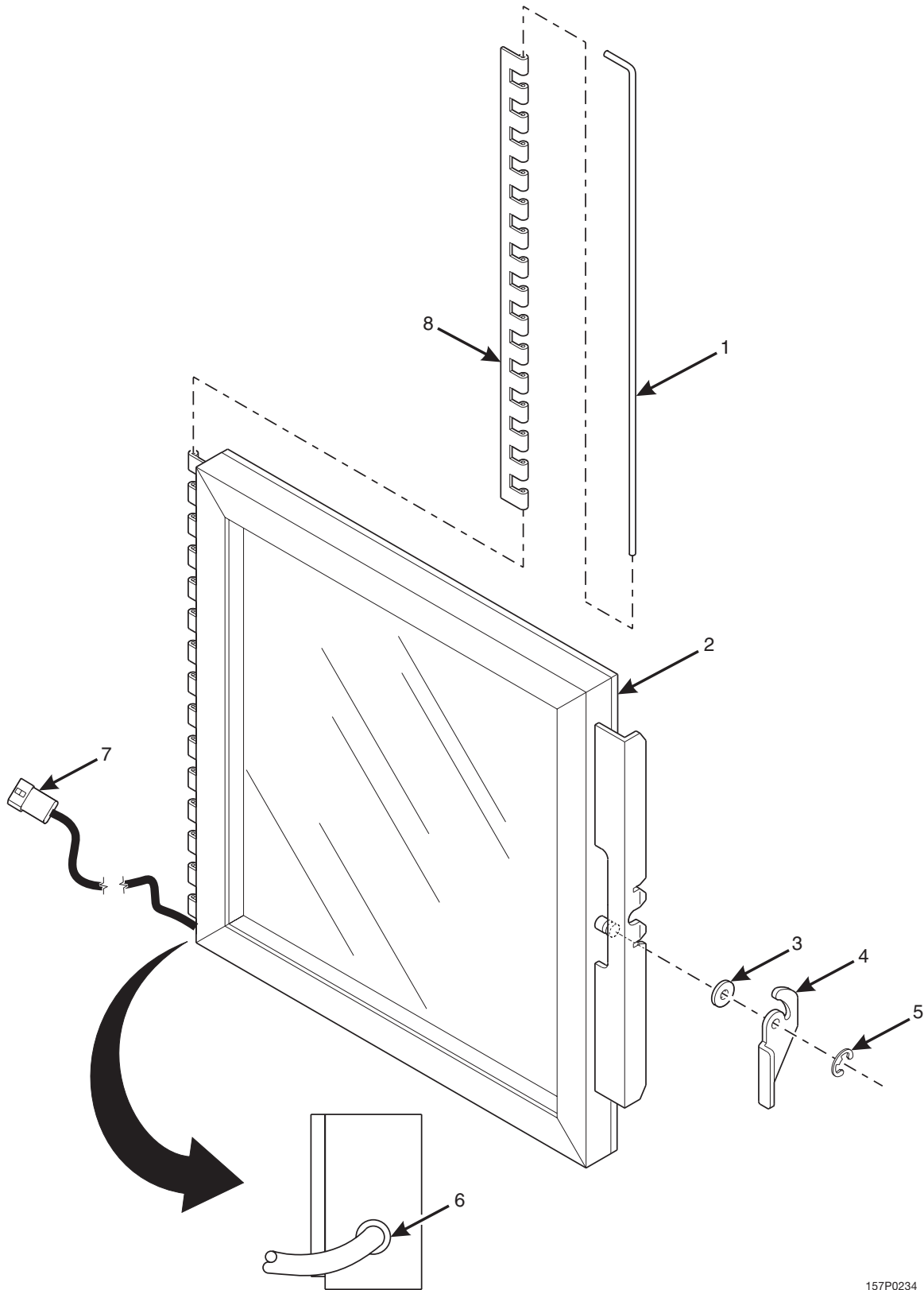
Figure 68. Major Components - Frozen Food Module

157P0194

## Snack / Refreshment Center 2 Parts Manual

**TABLE 68. MAJOR COMPONENTS - FROZEN FOOD MODULE**

INDEX	PART NUMBER	DESCRIPTION	QTY
1	4119013	PROBE - TEMPERATURE SENSOR	1?
2	4407009	JUMPER - CHANNEL PCB - FOOD MODULE	1
3	4407002	BRACKET - CABLE PLUG	1
-	4721035	SCREW - #8-18 X .38 - LGM	2
4	3502097	BUSHING #OCB - 500	1
5	4407069	DRIVE ARM ASSEMBLY - R.H. (SEE FIGURE XX 79 FOR DETAILS)	1
-	9900425	RETAINING RING REINF. E TYP. 250	1
-	1451097	SCREW - 8-32 X .31 HEX HD. TF - BLK	5
6	4407052	DRIVE ARM ASSEMBLY - L.H. (SEE FIGURE 64 FOR DETAILS)	1
-	9900425	RETAINING RING REINF. E TYP. 250	-
-	1451097	SCREW - 8-32 X .31 HEX HD. TF - BLK	-
7	4747710	HOUSING - LINER ASSEMBLY - FRZN FOOD	1
8	9900431	RETAINING RING REINF. E TYP. 312	1
9	4747062	MOUNTING STRAP - CAN MODULE	2
-	4721035	SCREW - #8-18 X .38 - LGM	-
-	4727144	SCREW - #818 X .62 HEX HEAD	-
10	4407077	MOTOR MOUNTING BRACKET ASSEMBLY (110V) (SEE FIGURE 66 FOR DETAILS)	1
	4847017	MOTOR MOUNTING BRACKET ASSEMBLY (230V) (SEE FIGURE 66 FOR DETAILS)	
11	4747725	COVER - MOTOR ASSEMBLY	1
-	1451097	SCREW - #8-32 X .31 HEX HD. TF - BLK	5
-	4407086	DRIVE SHAFT ASSEMBLY (INCLUDES INDEX NUMBERS 12 - 17)	1
12	3127034	ROLL PIN 1/8 X 13/16	2
13	4407087	SHAFT - DRIVE	1
14	4047012	SHOULDER BUSHING	1
15	4407079	ARM - DRIVE	1
16	9900098	COTTER PIN 3/32 X 3/4 IN.	2
17	4407088	BRACKET - DRIVE SHAFT	1
18	4844027	GUIDE - DOOR FRAME SUPPORT	1
-	4721035	SCREW	2
-	4727144	SCREW	2
19	4407115	DOOR ASSEMBLY - FROZEN FOOD MODULE (SEE FIGURE 56 FOR DETAILS)	1
-	5500026	SCREW - 8-32 X 3/8 PHS T/F	-
20	4741223	DECAL - COLD/FROZEN FOOD	1
21	4612001	DECAL - "CHILLED FOR FRESHNESS"	1
22	4747716	DOOR FRAME ASSEMBLY (SEE FIGURE 56 FOR DETAILS)	1
-	5500026	SCREW - 8-32 X 3/8 PHS T/F	1



157P0234

Figure 69. Door Assembly - Frozen Food Module

## Snack / Refreshment Center 2 Parts Manual

**TABLE 69. DOOR ASSEMBLY - FROZEN FOOD MODULE**

INDEX	PART NUMBER	DESCRIPTION	QTY
-	4747704	DOOR ASSEMBLY FROZEN FOOD MODULE (110V)	-
-	4877005	DOOR ASSEMBLY FROZEN FOOD MODULE (220V)	-
1	4407120	PIN - HINGE	1
2	-	DOOR (NOT AVAILABLE SEPARATELY)	1
3	5220113	SPRING WASHER .500 X .254 X .006	1
4	4407160	LEVER - LATCH	1
5	9900425	RETAINING RING REINF E TYP. 250	1
6	4747718	HEYCO - .281 ID X .250 LG.	1
7	1271057	PLUG 2 CIRCUIT #03-09-2022	1
8	4407132	HINGE - FOOD MODULE DOOR	1

# Snack / Refreshment Center 2 Parts Manual

**TABLE 69. REFRIGERATION UNIT COMPONENTS (PART 1)**

MACHINE CONFIGURATION	764/765 CHILLED SNACK DOMESTIC 120 V	764/765 CHILLED SNACK INTERNA- TIONAL 230 V	784 CHILLED SNACK/CAN DOMESTIC 120 V	784 CHILLED SNACK/FOOD DOMESTIC 120 V	784 CHILLED SNACK/FROZEN DOMESTIC 120 V	784 CHILLED SNACK/CAN INTER- NATIONAL 230 V
	PART NUMBER					
REFRIGERATION UNIT ASSEMBLY	4744000	4644033	4844006	4844012	4844011	4854004
COMPRESSOR	4614135	4644019	4744108	4744108	4844028	4844014
COMPRESSOR COMPONENTS	4614136	4644018	4744106	4744106	4844031	4844015
CONDENSER	3634002	3634002	4744109	4744109	3634002	4774109
CONDENSER FAN MOTOR	4774027	4774027	4744112	4744112	4304092	6318157
CONDENSER FAN BLADE	4774027	4774027	3608149	6308149	4114027	3608149
SNACK						
EXPANSION DEVICE	4614114	4614134				
EVAPORATOR	4614127	4644030				
EVAPORATOR FAN ASSEMBLY	4614144	4314054				
CAN AND FOOD						
EXPANSION DEVICE			4844024	4844024		4844024
EVAPORATOR			4744044	4744044		4744044
EVAPORATOR FAN ASSEMBLY			4724124	4724124		4844001
FROZEN						
EXPANSION DEVICE					4744573	
EVAPORATOR					4744502	
EVAPORATOR FAN ASSEMBLY					4844000	
RETURN AIR PROBE	4119013	4119013	4119013	4119013	4119013	4119013
EPR VALVE						
TRIAC AND ASSEMBLY	4644008	4644008	4644008	4644019	4644018	4644008
DRIER	4304194	4304194	4304194	4304194	4304194	4304194
ACCUMULATOR	4724004	4724004	4724004	4724004		4724004
DRAIN HEATER					4744506	
DEFROST TERMINATION STAT					4974053	
DEFROST HEATER					4844022	



## Snack / Refreshment Center 2 Parts Manual

**TABLE 69. REFRIGERATION UNIT COMPONENTS (PART 2)**

MACHINE CONFIGURATION	784 CHILLED SNACK/FOOD INTERNATIONAL 230 V	784 CHILLED SNACK/FROZEN INTERNATIONAL 230 V	787 CHILLED SNACK/CAN INTER- NATIONAL 230 V	787 CHILLED SNACK/FOOD INTERNATIONAL 230 V	787 CHILLED SNACK/FROZEN INTERNATIONAL 230 V
PART DESCRIPTION	PART NUMBER				
REFRIGERATION UNIT ASSEMBLY	4854004	4854010	4874049	4874049	4974029
COMPRESSOR	4844014	4874026	4304211	4304211	4874026
COMPRESSOR COMPONENTS	4844015	4874027			4874027
CONDENSER	4774109	3634002	3634002	3634002	3634002
CONDENSER FAN MOTOR	3618157	4774122	4774122	4774122	4774122
CONDENSER FAN BLADE	3606149	4774027	4774027	474027	4774027
<b>SNACK</b>					
EXPANSION DEVICE			4774087	4774087	
EVAPORATOR			4774022	4774022	
EVAPORATOR FAN ASSEMBLY			4874002	4874002	
<b>CAN AND FOOD</b>					
EXPANSION DEVICE	4844024		4774087	4774087	
EVAPORATOR	4744044		4774021	4774021	
EVAPORATOR FAN ASSEMBLY	4844001		4844001	4844001	
<b>FROZEN</b>					
EXPANSION DEVICE		4744573			4744573
EVAPORATOR		4744502			4744502
EVAPORATOR FAN ASSEMBLY		4844054			4844054
RETURN AIR PROBE	4119013	4119013	4119013	4119013	4119013
EPR VALVE			4774089	4774089	
TRIAC AND ASSEMBLY	4644008	4844018	4644008	4844008	4644018
DRIER	4304194	4304194	4304194	4304194	4304194
ACCUMULATOR	4724004				
DRAIN HEATER		4849026			4849026
DEFROST TERMINATION STAT		4974053			4974053
DEFROST HEATER		4874037			4874037

## Snack / Refreshment Center 2 Parts Manual

**TABLE 70. BAG ASSEMBLY B1670005**

<b>PART NUMBER</b>	<b>DESCRIPTION</b>	<b>QTY</b>
B1670005	BAG ASSEMBLY:3-4-5 (167/168 BRAZIL, MEXICO, LATIN AMERICA)	-
WD167002	W.D.115V SNK.-CHIL/CAN/COF/M	1
WD167003	W.D.230V SNK.-CHIL/CAN/COF/M	1
1470041	PLASTIC BAG	1
1472105	PRICE TAGS-GUM & MINT	
1477071	PACKAGE ASSY-PRODUCT PUSHER	
1477083	RETAINER-SPIRAL-WALL	10
1477123	PRICE ROLL-0TO25-UK/GER/FR(K	42
1577061	LABEL-ITEM LETTERS-A0-A9-U.K	1
1577062	LABEL-ITEM LETTERS-B0-B9-U.K	1
1577063	LABEL-ITEM LETTERS-C0-C9-U.K	1
1577064	LABEL-ITEM LETTERS-D0-D9-U.K	1
1577065	LABEL-ITEM LETTERS-E0-E9-U.K	1
1577066	LABEL-ITEM LETTERS-F0-F9-U.K	1
1670001	MAIN SNACK SET-UP GUIDE	1
1670024	SNACK/RC PROGRAMMING GUIDE	1
1670034	LABEL-SUREVEND LOGO-3.75"WID	1
1679059	LIST-HARNESSES	1
2360036	BAG PACKING	1
4612001	DECAL-"CHILLED FOR FRESHNESS	1

## Snack / Refreshment Center 2 Parts Manual

**TABLE 70. BAG ASSEMBLY B1670006**

PART NUMBER	DESCRIPTION	QTY
B1670006	BAG ASSEMBLY:11-12-13-37 (U.S., NAVY, AUSTRALIA, NEW ZEALAND, SINGAPORE)	-
WD167002	W.D.115V SNK.-CHIL/CAN/COF/M	1
WD167003	W.D.230V SNK.-CHIL/CAN/COF/M	1
1470041	PLASTIC BAG	1
1477015	ROLL-PRICE DOLLARS KB	45
1477071	PACKAGE ASSY-PRODUCT PUSHER	
1477083	RETAINER-SPIRAL-WALL	10
1575107	TAG-PRICE-G&M-.25-1.55	1
1577047	LABEL-ITEM LETTERS-A0-A9	1
1577048	LABEL-ITEM LETTERS-B0-B9	1
1577049	LABEL-ITEM LETTERS-C0-C9	1
1577050	LABEL-ITEM LETTERS-D0-D9	1
1577051	LABEL-ITEM LETTERS-E0-E9 KB	1
1577052	LABEL-ITEM LETTERS-F0-F9 KB	1
1670001	MAIN SNACK SET-UP GUIDE	1
1670024	SNACK/RC PROGRAMMING GUIDE	1
1670034	LABEL-SUREVEND LOGO-3.75"WID	1
1679059	LIST-HARNESSES	1
2360036	BAG PACKING	1

**TABLE 71. BAG ASSEMBLY B1570006**

PART NUMBER	DESCRIPTION	QTY
B1570006	BAG ASSEMBLY:15 (167/168 U.S)	-
WD167002	W.D.115V SNK.-CHIL/CAN/COF/M	1
1470041	PLASTIC BAG	1
1477015	ROLL-PRICE DOLLARS KB	12
1477071	PACKAGE ASSY-PRODUCT PUSHER	
1477083	RETAINER-SPIRAL-WALL	10
1575107	TAG-PRICE-G&M-.25-1.55	1
1577047	LABEL-ITEM LETTERS-A0-A9	1
1577048	LABEL-ITEM LETTERS-B0-B9	1
1577049	LABEL-ITEM LETTERS-C0-C9	1
1577050	LABEL-ITEM LETTERS-D0-D9	1
1577051	LABEL-ITEM LETTERS-E0-E9 KB	1
1577052	LABEL-ITEM LETTERS-F0-F9 KB	1
1670001	MAIN SNACK SET-UP GUIDE	1
1670024	SNACK/RC PROGRAMMING GUIDE	1
1670034	LABEL-SUREVEND LOGO-3.75"WID	1
1679059	LIST-HARNESSES	1

## Snack / Refreshment Center 2 Parts Manual

**TABLE 72. BAG ASSEMBLY B1670007**

<b>PART NUMBER</b>	<b>DESCRIPTION</b>	<b>QTY</b>
B1670007	BAG ASSEMBLY:6-7-8-9-10-24-31 (FRANCE, GERMANY, SWEDEN, KUWAIT, LEBANON, SAUDI ARABIA, CHINA)	-
WD167002	W.D.115V SNK.-CHIL/CAN/COF/M	1
WD167003	W.D.230V SNK.-CHIL/CAN/COF/M	1
1477071	PACKAGE ASSY-PRODUCT PUSHER	
1477083	RETAINER-SPIRAL-WALL	10
1477123	PRICE ROLL-0TO25-UK/GER/FR(K	40
1577047	LABEL-ITEM LETTERS-A0-A9	1
1577048	LABEL-ITEM LETTERS-B0-B9	1
1577049	LABEL-ITEM LETTERS-C0-C9	1
1577050	LABEL-ITEM LETTERS-D0-D9	1
1577051	LABEL-ITEM LETTERS-E0-E9 KB	1
1577052	LABEL-ITEM LETTERS-F0-F9 KB	1
1670001	MAIN SNACK SET-UP GUIDE	1
1670024	SNACK/RC PROGRAMMING GUIDE	1
1670034	LABEL-SUREVEND LOGO-3.75"WID	1
1679059	LIST-HARNESSES	1
4612001	DECAL-"CHILLED FOR FRESHNESS	1

**TABLE 73. BAG ASSEMBLY B2570002**

<b>PART NUMBER</b>	<b>DESCRIPTION</b>	<b>QTY</b>
B2570002	BAG ASSEMBLY (267/268 U.S.)	-
WD167002	W.D.115V SNK.-CHIL/CAN/COF/M	1
1470041	PLASTIC BAG	1
1477015	ROLL-PRICE DOLLARS KB	12
1477071	PACKAGE ASSY-PRODUCT PUSHER	
1477083	RETAINER-SPIRAL-WALL	10
1575107	TAG-PRICE-G&M-.25-1.55	1
1577047	LABEL-ITEM LETTERS-A0-A9	1
1577048	LABEL-ITEM LETTERS-B0-B9	1
1577049	LABEL-ITEM LETTERS-C0-C9	1
1577050	LABEL-ITEM LETTERS-D0-D9	1
1577051	LABEL-ITEM LETTERS-E0-E9 KB	1
1577052	LABEL-ITEM LETTERS-F0-F9 KB	1
1577053	LABEL-ITEM LETTERS-G0-G9	1
1670001	MAIN SNACK SET-UP GUIDE	1
1670024	SNACK/RC PROGRAMMING GUIDE	1
1679059	LIST-HARNESSES	1

## Snack / Refreshment Center 2 Parts Manual

**TABLE 74. BAG ASSEMBLY B7640005**

PART NUMBER	DESCRIPTION	QTY
B7640005	BAG ASSEMBLY:1 (U.K.)	-
WD167003	W.D.230V SNK.-CHIL/CAN/COF/M	1
1472273	PRICE ROLL-UK-1L/10L,35P/95P	5
1472274	PRICE ROLL-UK-1L/10L,8P/35P	40
1477014	ROLL-PRICE CENTS (KB)	40
1477071	PACKAGE ASSY-PRODUCT PUSHER	
1477083	RETAINER-SPIRAL-WALL	10
1477123	PRICE ROLL-0TO25-UK/GER/FR(K)	42
1572205	ROLL-PRICE-UK-36PTO62P+FREE	10
1572206	ROLL-PRICE-UK,63P TO 90P, KB	5
1575083	COIN CHUTE & BRACKET ASSEMBL	1
1575086	INSTR.SHEET-COIN CHUTE & BRK	1
1577061	LABEL-ITEM LETTERS-A0-A9-U.K	1
1577062	LABEL-ITEM LETTERS-B0-B9-U.K	1
1577063	LABEL-ITEM LETTERS-C0-C9-U.K	1
1577064	LABEL-ITEM LETTERS-D0-D9-U.K	1
1577065	LABEL-ITEM LETTERS-E0-E9-U.K	1
1577066	LABEL-ITEM LETTERS-F0-F9-U.K	1
1577067	LABEL-ITEM LETTERS-G0-G9-U.K	1
1670001	MAIN SNACK SET-UP GUIDE	1
1670024	SNACK/RC PROGRAMMING GUIDE	1
1670034	LABEL-SUREVEND LOGO-3.75"WID	1
1672027	INSERT-INSTR-LOWER-EUROCOIN	1
4612001	DECAL-"CHILLED FOR FRESHNESS	1

# Snack / Refreshment Center 2 Parts Manual

**TABLE 75. BAG ASSEMBLY B7640006**

<b>PART NUMBER</b>	<b>DESCRIPTION</b>	<b>QTY</b>
B7640006	BAG ASSEMBLY:15-16-17-18-19 (U.S., NAVY, TAIWAN, HONG KONG)	-
WD167002	W.D.115V SNK.-CHIL/CAN/COF/M	1
WD167003	W.D.230V SNK.-CHIL/CAN/COF/M	1
1470041	PLASTIC BAG	1
1477015	ROLL-PRICE DOLLARS KB	12
1477071	PACKAGE ASSY-PRODUCT PUSHER	
1477083	RETAINER-SPIRAL-WALL	10
1575107	TAG-PRICE-G&M-.25-1.55	1
1577047	LABEL-ITEM LETTERS-A0-A9	1
1577048	LABEL-ITEM LETTERS-B0-B9	1
1577049	LABEL-ITEM LETTERS-C0-C9	1
1577050	LABEL-ITEM LETTERS-D0-D9	1
1577051	LABEL-ITEM LETTERS-E0-E9 KB	1
1577052	LABEL-ITEM LETTERS-F0-F9 KB	1
1670001	MAIN SNACK SET-UP GUIDE	1
1670024	SNACK/RC PROGRAMMING GUIDE	1
1670034	LABEL-SUREVEND LOGO-3.75"WID	1
1679059	LIST-HARNESSES	1
2360036	BAG PACKING	1
4612001	DECAL-"CHILLED FOR FRESHNESS	1

**TABLE 76. BAG ASSEMBLY B4640000**

<b>PART NUMBER</b>	<b>DESCRIPTION</b>	<b>QTY</b>
B4640000	BAG ASSEMBLY: 6-7 (FRANCE, GERMANY)	-
1477071	PACKAGE ASSY - PRODUCT PUSHER (10 EA.)	1
1477083	RETAINER - SPIRAL - WALL	10
1477123	PRICE ROLL - 0 TO 25	42
1570071	DOCUMENTATION PACKAGE	1
1577054	LABEL - ITEM LETTERS A0 - A9	1
1577055	LABEL - ITEM LETTERS B0 - B9	1
1577056	LABEL - ITEM LETTERS C0 - C9	1
1577057	LABEL - ITEM LETTERS D0 - D9	1
1577058	LABEL - ITEM LETTERS E0 - E9	1
1577059	LABEL - ITEM LETTERS F0 - F9	1
1577060	LABEL - ITEM LETTERS G0 - G9	1
4640022	LIST - BAG ASSY B4640000 - CONTENT	1
4640035	WIRING DIAGRAM PKG - 220/240V - CHILLED	1

## Snack / Refreshment Center 2 Parts Manual

**TABLE 77. BAG ASSEMBLY B7640002**

PART NUMBER	DESCRIPTION	QTY
B7640002	BAG ASSEMBLY-SMITH'S	-
WD167003	W.D.230V SNK.-CHIL/CAN/COF/M	1
1470041	PLASTIC BAG	1
1477071	PACKAGE ASSY-PRODUCT PUSHER	1
1477083	RETAINER-SPIRAL-WALL	10
1575107	TAG-PRICE-G&M-.25-1.55	1
1577047	LABEL-ITEM LETTERS-A0-A9	1
1577048	LABEL-ITEM LETTERS-B0-B9	1
1577049	LABEL-ITEM LETTERS-C0-C9	1
1577050	LABEL-ITEM LETTERS-D0-D9	1
1577051	LABEL-ITEM LETTERS-E0-E9 KB	1
1577052	LABEL-ITEM LETTERS-F0-F9 KB	1
1670001	MAIN SNACK SET-UP GUIDE	1
1670023	SMITH'S G&M SETUP GUIDE	1
1670024	SNACK/RC PROGRAMMING GUIDE	1
1670034	LABEL-SUREVEND LOGO-3.75"WID	1
1672059	TAG-PRICE-G&M-1.20/2.00	1
1677038	WINDOW-FLAT	1
1677039	WINDOW-OFFSET	1
1679057	LIST-HARNESSES	1
2360036	BAG PACKING	1
4612001	DECAL-"CHILLED FOR FRESHNESS	1
9989822	CLIP-TRAY HARNESS	6

## Snack / Refreshment Center 2 Parts Manual

**TABLE 78. BAG ASSEMBLY B7870002**

<b>PART NUMBER</b>	<b>DESCRIPTION</b>	<b>QTY</b>
B7870002	BAG ASSY-CAN: 3-4 (LATIN AMERICA, BRAZIL)	-
WD167002	W.D.115V SNK.-CHIL/CAN/COF/M	1
WD167003	W.D.230V SNK.-CHIL/CAN/COF/M	1
WD484012	W.D.-COLD/FROZEN MODULE	1
1477071	PACKAGE ASSY-PRODUCT PUSHER	
1477083	RETAINER-SPIRAL-WALL	10
1477123	PRICE ROLL-0TO25-UK/GER/FR(K	42
1577061	LABEL-ITEM LETTERS-A0-A9-U.K	1
1577062	LABEL-ITEM LETTERS-B0-B9-U.K	1
1577063	LABEL-ITEM LETTERS-C0-C9-U.K	1
1577064	LABEL-ITEM LETTERS-D0-D9-U.K	1
1577065	LABEL-ITEM LETTERS-E0-E9-U.K	1
1577066	LABEL-ITEM LETTERS-F0-F9-U.K	1
1670001	MAIN SNACK SET-UP GUIDE	1
1670024	SNACK/RC PROGRAMMING GUIDE	1
1670034	LABEL-SUREVEND LOGO-3.75"WID	1
1679057	LIST-HARNESSES	1
1679059	LIST-HARNESSES	1
2360036	BAG PACKING	3
4747091	FLAVOR STRIPS-10	1
4747097	PROD.ID LBL/FLAVR STRIP INST	1
4840053	SET UP GUIDE-CAN/COLD FD/FZN	1



## Snack / Refreshment Center 2 Parts Manual

**TABLE 79. BAG ASSEMBLY B4840006**

PART NUMBER	DESCRIPTION	QTY
B4840006	BAG ASSEMBLY-FOOD-15 (U.S.)	-
1477015	ROLL - PRICE DOLLARS	11
1477083	RETAINER - SPIRAL - WALL	10
1577047	LABEL - ITEM LETTERS - A0-A9	1
1577048	LABEL - ITEM LETTERS - B0-B9	1
1577049	LABEL - ITEM LETTERS - C0-C9	1
1577050	LABEL - ITEM LETTERS - D0-D9	1
1577051	LABEL - ITEM LETTERS - E0-E9	1
1577052	LABEL - ITEM LETTERS - F0-F9	1
4407728	LABEL - SOLD OUT	1
4407732	ADAPTOR ASSY - BOXED ITEM (INCLUDES NEXT 5 ITEMS)	1
4407729	ROLLER & SHAFT ASSY - PUSHER	1
2366055	SPEED CLIP COMPRESSION RING	1
4407730	ROLLER - PUSHER MODULE	2
4407731	SHAFT - PUSHER MODULE	2
4407733	INSTR. - ADAPTOR - BOXED ITEM	1
4612001	DECAL - "CHILLED FOR FRESHNESS"	1
4840040	DOCUMENTATION PACKAGE	1
4840047	LIST - BAG ASSY B4840006 - CONTENT	1
4840055	WD PACKAGE - 115V - DOM - FOOD	1

## Snack / Refreshment Center 2 Parts Manual

**TABLE 80. BAG ASSEMBLY B4870000**

<b>PART NUMBER</b>	<b>DESCRIPTION</b>	<b>QTY</b>
B4870000	BAG ASSEMBLY:CAN-1 (U.K.)	-
1472273	PRICE ROLL - UK - 1L/10L, 40P/95P	5
1472274	PRICE ROLL - UK - 1L/10L, 8P/35P	32
1477014	ROLL - PRICE - CENTS	32
1477071	PACKAGE ASSEMBLY - PRODUCT PUSHER (10 EA.)	1
1477083	RETAINER - SPIRAL - WALL	10
1572205	ROLL - PRICE - UK - 36P TO 62P + FREE	10
1572206	ROLL - PRICE - UK - 63P TO 90P	5
1577061	LABEL - ITEM LETTERS - A0 - A9 - U.K.	1
1577062	LABEL - ITEM LETTERS - B0 - B9 - U.K.	1
1577063	LABEL - ITEM LETTERS - C0 - C9 - U.K.	1
1577064	LABEL - ITEM LETTERS - D0 - D9 - U.K.	1
1577065	LABEL - ITEM LETTERS - E0 - E9 - U.K.	1
1577066	LABEL - ITEM LETTERS - F0 - F9 - U.K.	1
1672027	INSERT - INSTR - LOWER - EUROCOIN	1
4612001	DECAL - "CHILLED FOR FRESHNESS"	1
4747091	FLAVOR STRIPS - 10	1
4747097	PROD. ID LABEL/FLAVR STRIP INSTR.	1
4870040	DOCUMENTATION PACKAGE	1
4870047	W.D. PACKAGE - 220/240V - EXEC - CAN	1

**TABLE 81. BAG ASSEMBLY B7870000**

<b>PART NUMBER</b>	<b>DESCRIPTION</b>	<b>QTY</b>
B7870000	BAG ASSY-CAN: 6-7-8-24 (FRANCE, GERMANY, SWEDEN, SAUDIA ARABIA)	-
1477083	RETAINER-SPIRAL-WALL	10
1477123	PRICE ROLL-0TO25-UK/GER/FR(K	32
1577054	LABEL-ITEM LETTERS-A0-A9-GER	1
1577055	LABEL-ITEM LETTERS-B0-B9-GER	1
1577056	LABEL-ITEM LETTERS-C0-C9-GER	1
1577057	LABEL-ITEM LETTERS-D0-D9-GER	1
1577058	LABEL-ITEM LETTERS-E0-E9-GER	1
1577059	LABEL-ITEM LETTERS-F0-F9-GER	1
1670034	LABEL-SUREVEND LOGO-3.75"WID	1
4747091	FLAVOR STRIPS-10	1
4747097	PROD.ID LBL/FLAVR STRIP INST	1
4870040	DOCUMENTATION PACKAGE	1
4870044	LIST-BAG ASSY B4870007-CONTE	1
4870047	W.D.PACKAGE-220/240V-EXEC-CA	1

## Snack / Refreshment Center 2 Parts Manual

**TABLE 82. BAG ASSEMBLY B4870001**

PART NUMBER	DESCRIPTION	QTY
B4870001	BAG ASSEMBLY:FOOD-1 (U.K.)	-
1472273	PRICE ROLL - UK - 1L/10L, 40P/95P	5
1472274	PRICE ROLL - UK - 1L/10L, 8P/35P	32
1477014	ROLL - PRICE - CENTS	32
1477071	PACKAGE ASSEMBLY - PRODUCT PUSHER (10 EA.)	1
1477083	RETAINER - SPIRAL - WALL	10
1572205	ROLL - PRICE - UK - 36P TO 62P + FREE	10
1572206	ROLL - PRICE - UK - 63P TO 90 P	5
1577061	LABEL - ITEM LETTERS - A0 - A9 - U.K.	1
1577062	LABEL - ITEM LETTERS - B0 - B9 - U.K.	1
1577063	LABEL - ITEM LETTERS - C0 - C9 - U.K.	1
1577064	LABEL - ITEM LETTERS - D0 - D9 - U.K.	1
1577065	LABEL - ITEM LETTERS - E0 - E9 - U.K.	1
1577066	LABEL - ITEM LETTERS - F0 - F9 - U.K.	1
1672027	INSERT - INSTR - LOWER - EUROCOIN	1
4407728	LABEL - SOLD OUT	1
4612001	DECAL - "CHILLED FOR FRESHNESS"	1
4870037	LIST - BAG ASSY B4870001 - CONTENT	1
4870040	DOCUMENTATION PACKAGE	1
4870048	WIRING DIAGRAM PACKAGE - 220/240V - EXEC - FOOD	1

**TABLE 83. BAG ASSEMBLY B7870001**

PART NUMBER	DESCRIPTION	QTY
B7870001	BAG ASSY-FOOD: 6-7-8 (FRANCE, GERMANY, SWEDEN)	-
1477014	ROLL-PRICE CENTS (KB)	12
1477083	RETAINER-SPIRAL-WALL	10
1477123	PRICE ROLL-0TO25-UK/GER/FR(K)	36
1577054	LABEL-ITEM LETTERS-A0-A9-GER	1
1577055	LABEL-ITEM LETTERS-B0-B9-GER	1
1577056	LABEL-ITEM LETTERS-C0-C9-GER	1
1577057	LABEL-ITEM LETTERS-D0-D9-GER	1
1577058	LABEL-ITEM LETTERS-E0-E9-GER	1
1577059	LABEL-ITEM LETTERS-F0-F9-GER	1
1670034	LABEL-SUREVEND LOGO-3.75"WID	1
4777801	LABEL-SOLD OUT-GER.	1
4777803	LABEL-SOLD OUT-FRENCH	1
4859013	JUMPER-SPEED REDUCER-CUP IND	1
4870040	DOCUMENTATION PACKAGE	1
4870048	W.D.PACKAGE-220/240V-EXEC-FO	1

# Snack / Refreshment Center 2 Parts Manual

**TABLE 84. BAG ASSEMBLY B1680001**

PART NUMBER	DESCRIPTION	QTY
B1680001	BAG ASSEMBLY-36 (CHILE)	-
WD167002	W.D.115V SNK.-CHIL/CAN/COF/M	1
WD167003	W.D.230V SNK.-CHIL/CAN/COF/M	1
1470041	PLASTIC BAG	1
1477071	PACKAGE ASSY-PRODUCT PUSHER	
1477083	RETAINER-SPIRAL-WALL	10
1570068	LIST-BAG ASSY B1570002-CONTE	1
1577004	PRICE ROLL-000 TO 250(FOR YE	4
1577005	PRICE ROLL-260 TO 500(FOR YE	42
1577061	LABEL-ITEM LETTERS-A0-A9-U.K	1
1577062	LABEL-ITEM LETTERS-B0-B9-U.K	1
1577063	LABEL-ITEM LETTERS-C0-C9-U.K	1
1577064	LABEL-ITEM LETTERS-D0-D9-U.K	1
1577065	LABEL-ITEM LETTERS-E0-E9-U.K	1
1577066	LABEL-ITEM LETTERS-F0-F9-U.K	1
1670001	MAIN SNACK SET-UP GUIDE	1
1670024	SNACK/RC PROGRAMMING GUIDE	1
1670034	LABEL-SUREVEND LOGO-3.75"WID	1
1679057	LIST-HARNESSES	1
1679059	LIST-HARNESSES	1
2360036	BAG PACKING	1

## Snack / Refreshment Center 2 Parts Manual

**TABLE 85. BAG ASSEMBLY B1680003**

PART NUMBER	DESCRIPTION	QTY
B1680003	BAG ASSY-METABOLIFE	-
WD167002	W.D.115V SNK.-CHIL/CAN/COF/M	1
WD167003	W.D.230V SNK.-CHIL/CAN/COF/M	1
1470041	PLASTIC BAG	1
1477071	PACKAGE ASSY-PRODUCT PUSHER	
1477083	RETAINER-SPIRAL-WALL	10
1577047	LABEL-ITEM LETTERS-A0-A9	1
1577048	LABEL-ITEM LETTERS-B0-B9	1
1577049	LABEL-ITEM LETTERS-C0-C9	1
1577050	LABEL-ITEM LETTERS-D0-D9	1
1577051	LABEL-ITEM LETTERS-E0-E9 KB	1
1577052	LABEL-ITEM LETTERS-F0-F9 KB	1
1670001	MAIN SNACK SET-UP GUIDE	1
1670024	SNACK/RC PROGRAMMING GUIDE	1
1679057	LIST-HARNESSES	1
1679059	LIST-HARNESSES	1
1687002	ROLL-26 TO 50 PRICE-DOLLARS	48
2360036	BAG PACKING	1

# Snack / Refreshment Center 2 Parts Manual

**TABLE 86. BAG ASSEMBLY B4840009**

PART NUMBER	DESCRIPTION	QTY
B4840009	BAG ASSEMBLY:25 (JAPAN)	
WD157018	W.D.-SNACK-SNACK/CAN-JAPAN	1
WD167002	W.D.115V SNK.-CHIL/CAN/COF/M	1
1470041	PLASTIC BAG	1
1477083	RETAINER-SPIRAL-WALL	10
1570061	INSTR.-50/60HZ CONVER.-JAPAN	1
1575067	COIN BLOCK-JAPAN (FOR YEN)	1
1577003	PRICE ROLL-1 TO 9/10 TO 90YE	32
1577004	PRICE ROLL-000 TO 250(FOR YE	32
1577005	PRICE ROLL-260 TO 500(FOR YE	16
1577006	PRICE ROLL-510 TO 760(FOR YE	4
1577007	PRICE ROLL-770 TO 990(FOR YE	4
1577061	LABEL-ITEM LETTERS-A0-A9-U.K	1
1577062	LABEL-ITEM LETTERS-B0-B9-U.K	1
1577063	LABEL-ITEM LETTERS-C0-C9-U.K	1
1577064	LABEL-ITEM LETTERS-D0-D9-U.K	1
1577065	LABEL-ITEM LETTERS-E0-E9-U.K	1
1577066	LABEL-ITEM LETTERS-F0-F9-U.K	1
1670001	MAIN SNACK SET-UP GUIDE	1
1670024	SNACK/RC PROGRAMMING GUIDE	1
1679059	LIST-HARNESSES	1
2360036	BAG PACKING	1
4650003	CONVERSION PROCEDURE-50/60 H	1
4761146	LABEL-FREQ-OPER-60HZ	
4761147	LABEL-FREQ-OPER-50HZ	

## Snack / Refreshment Center 2 Parts Manual

**TABLE 87. BAG ASSEMBLY B4850000**

PART NUMBER	DESCRIPTION	QTY
B4850000	BAG ASSEMBLY-FOOD:3-4-5 (LATIN AMERICA, BRAZIL, MEXICO)	-
WD167002	W.D.115V SNK.-CHIL/CAN/COF/M	1
WD167003	W.D.230V SNK.-CHIL/CAN/COF/M	1
WD484012	W.D.-COLD/FROZEN MODULE	1
1470041	PLASTIC BAG	1
1477015	ROLL-PRICE DOLLARS KB	12
1477071	PACKAGE ASSY-PRODUCT PUSHER	1
1477083	RETAINER-SPIRAL-WALL	8
1477123	PRICE ROLL-0TO25-UK/GER/FR(K	36
1577061	LABEL-ITEM LETTERS-A0-A9-U.K	1
1577062	LABEL-ITEM LETTERS-B0-B9-U.K	1
1577063	LABEL-ITEM LETTERS-C0-C9-U.K	1
1577064	LABEL-ITEM LETTERS-D0-D9-U.K	1
1577065	LABEL-ITEM LETTERS-E0-E9-U.K	1
1577066	LABEL-ITEM LETTERS-F0-F9-U.K	1
1670001	MAIN SNACK SET-UP GUIDE	1
1670024	SNACK/RC PROGRAMMING GUIDE	1
1679057	LIST-HARNESSES	1
1679059	LIST-HARNESSES	1
2360036	BAG PACKING	1
3158008	ELBOW W/TAPE ASSEMBLY	1
4407732	ADAPTOR ASSY-BOXED ITEM	
4752149	LABEL-COVER UP-H.W.-SPAN.	
4840053	SET UP GUIDE-CAN/COLD FD/FZN	1
4850004	SET UP GUIDE-HOT DRINK MODUL	1
4850041	LIST-BAG ASSY B4850000-CONTE	1

## Snack / Refreshment Center 2 Parts Manual

**TABLE 88. BAG ASSEMBLY B4850004**

<b>PART NUMBER</b>	<b>DESCRIPTION</b>	<b>QTY</b>
B4850004	BAG ASSEMBLY-NO CAN:11-12 (AUSTRALIA, NEW ZEALAND)	-
WD167002	W.D.115V SNK.-CHIL/CAN/COF/M	1
1470041	PLASTIC BAG	1
1477015	ROLL-PRICE DOLLARS KB	12
1477071	PACKAGE ASSY-PRODUCT PUSHER	1
1477083	RETAINER-SPIRAL-WALL	8
1575107	TAG-PRICE-G&M-.25-1.55	1
1577047	LABEL-ITEM LETTERS-A0-A9	1
1577048	LABEL-ITEM LETTERS-B0-B9	1
1577049	LABEL-ITEM LETTERS-C0-C9	1
1577050	LABEL-ITEM LETTERS-D0-D9	1
1577051	LABEL-ITEM LETTERS-E0-E9 KB	1
1577052	LABEL-ITEM LETTERS-F0-F9 KB	1
1670001	MAIN SNACK SET-UP GUIDE	1
1670024	SNACK/RC PROGRAMMING GUIDE	1
1679059	LIST-HARNESSES	1
2360036	BAG PACKING	1
3158008	ELBOW W/TAPE ASSEMBLY	1
4752148	LABEL-COVER UP-H.W.-U.K.	
4840053	SET UP GUIDE-CAN/COLD FD/FZN	1
4850004	SET UP GUIDE-HOT DRINK MODUL	1
4850045	LIST-BAG ASSY B4850004-CONTE	1



## Snack / Refreshment Center 2 Parts Manual

**TABLE 89. BAG ASSEMBLY B7640004**

PART NUMBER	DESCRIPTION	QTY
B7640004	BAG ASSEMBLY:11-12-13-14-24-37 (AUSTRALIA, NEW ZEALAND, SINGAPORE, ARGENTINA, SAUDIA ARABIA, CANADA)	-
WD167002	W.D.115V SNK.-CHIL/CAN/COF/M	1
WD167003	W.D.230V SNK.-CHIL/CAN/COF/M	1
1470041	PLASTIC BAG	1
1477015	ROLL-PRICE DOLLARS KB	45
1477071	PACKAGE ASSY-PRODUCT PUSHER	
1477083	RETAINER-SPIRAL-WALL	10
1575107	TAG-PRICE-G&M-.25-1.55	1
1577047	LABEL-ITEM LETTERS-A0-A9	1
1577048	LABEL-ITEM LETTERS-B0-B9	1
1577049	LABEL-ITEM LETTERS-C0-C9	1
1577050	LABEL-ITEM LETTERS-D0-D9	1
1577051	LABEL-ITEM LETTERS-E0-E9 KB	1
1577052	LABEL-ITEM LETTERS-F0-F9 KB	1
1670001	MAIN SNACK SET-UP GUIDE	1
1670024	SNACK/RC PROGRAMMING GUIDE	1
1670034	LABEL-SUREVEND LOGO-3.75"WID	1
1679059	LIST-HARNESSES	1
2360036	BAG PACKING	1
4612001	DECAL-"CHILLED FOR FRESHNESS	1

## Snack / Refreshment Center 2 Parts Manual

**TABLE 89. WIRE HARNESES**

<b>CONNECTOR</b>	<b>DESCRIPTION</b>	<b>PART NUMBER</b>
J23A	HARNESS JAPAN	1579048
J23B	HARNESS JAPAN	1579048
J27	HARNESS EXEC	1679050
J30	CABLE RIBBON	1579008
J31	HARNESS TEMP	4849020
J33	HARNESS DISPLAY TO CNTRL	1599200
J34	HARNESS SUREVEND	1679012
J35	HARNESS POWER	4859002
J36	HARNESS IR DATA / DEX	1679056 / 1689054
J37	24VAC	9989750
J38	24VDC	9989750
J39	HARNESS MDB	9989706
J40	HARNESS DUMB MECH	1671011
J41	SERIAL VAL	1679053
J42	HARNESS - MARS PULSE	1679052
J45	HARNESS DISPLY TO CNTRL	1599200
J46	CUSTOMER KEY PAD	7215019
J47	FREE VEND KEYSWITCH	9989639
J48	JUMPER DOOR SWITCH	1579009
J49	SERVICE KEYPAD	1575046
J50	HARNESS IR DATA	1689094
J55	CABLE RIBBON	1579008
J56	HARNESS TEMP & COMP	4849020
J57	JUMPER - CAN/ G&M	4974023
J58	JUMPER - CAN/ G&M	4974023
J59	HARNESS CHANNEL 6 TRAY	1599009
J60	HARNESS CHANNEL 6 TRAY	1599009
J61	HARNESS PCB & COIN	9989750
J63	NOT USED	----

## Snack / Refreshment Center 2 Parts Manual

**TABLE 89. WIRE HARNESSES (CONTINUED)**

CONNECTOR	DESCRIPTION	PART NUMBER
J65	HARNESS POWER	4859002
J66	HARNESS BREWER	4859003
J67	HARNESS POWER	4859002
J69	HARNESS COFFEE	4859000
J70	HARNESS COFFEE	4859000
J71	HARNESS COFFEE	4859000
J72	JUMPER MOD TO BREWER	4859005
J75	HARNESS TEMP & CHILLER	4849020
J76	HARNESS PWR TO COFFEE	4751082
J81	HARNESS 24V PCB	9989750
J82	JUMPER POWER TO EX. FAN	1579021
J83	JUMPER, POWER TO DOOR LT	1579022
J87	HARNESS 120 COIN ADAPTER	1679002
J90	JUMPER INTERLOCK	1579010
J91	JUMPER INTERLOCK	1579010
J93A	HARNESS - PCB & COIN	9989750
J94	HARNESS POWER PANEL	1709001
J97	JUMPER GFI & FILTER	1579051
J100	JUMPER DOOR SWITCH	1579009 / RC3 4751082
J102	HARNESS - SERIAL VAL	1679053
J105	HARNESS - MARS PULSE	1679052
J107	HARNESS BREWER	4731096
J108	HARNESS BREWER	4731096
J109	HARNESS CUP MECH	4733039
J110	HARNESS CUP MECH	4733039
J111	HARNESS CUP MECH	4733039
J112	HARNESS CUP MECH	4733039
J113	HARNESS CUP MECH	4733039
J114	HARNESS CUP MECH	4733039

# Snack / Refreshment Center 2 Parts Manual

**TABLE 89. WIRE HARNESES (CONTINUED)**

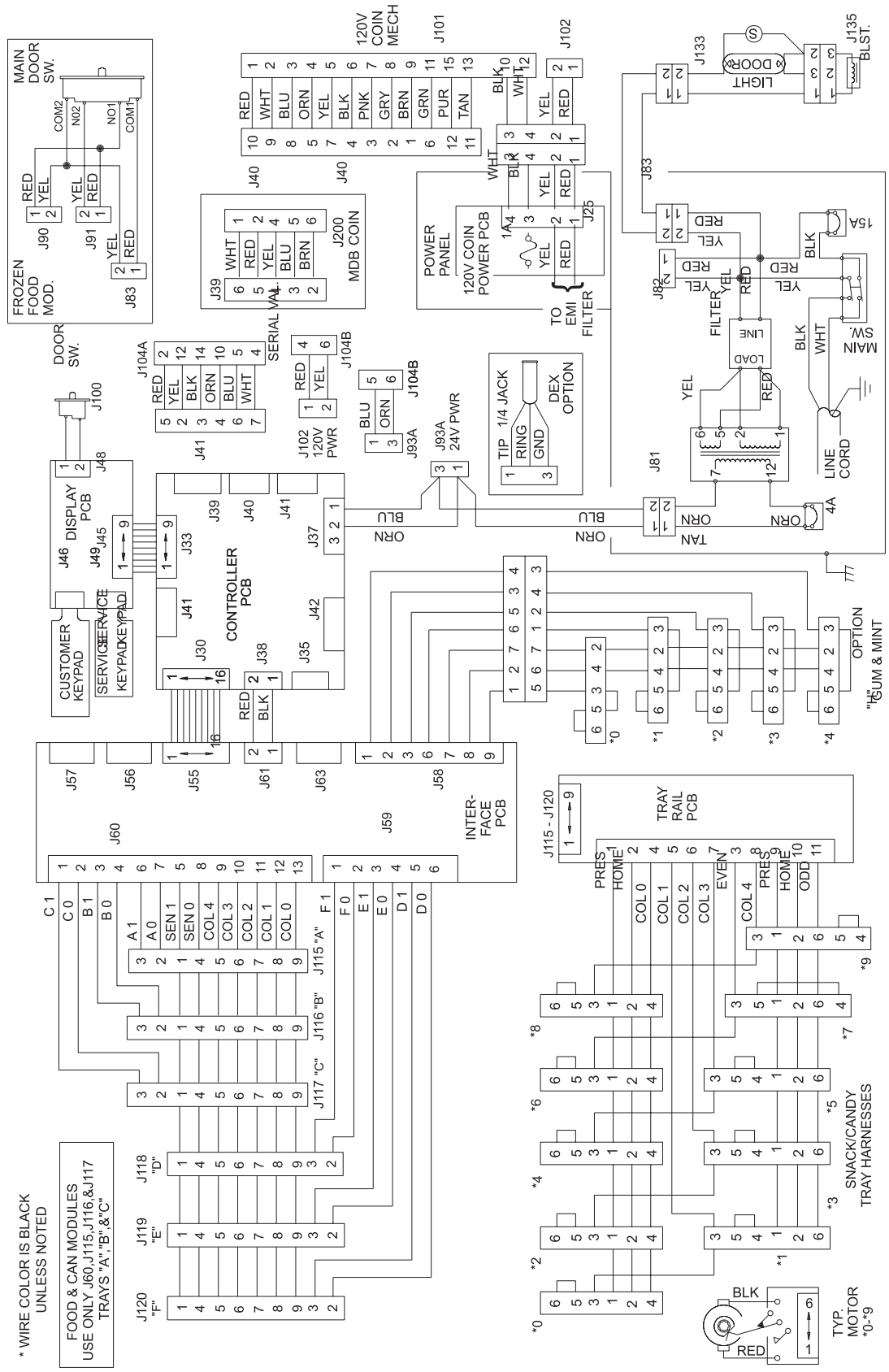
<b>CONNECTOR</b>	<b>DESCRIPTION</b>	<b>PART NUMBER</b>
J121	JUMPER GUM & MINT	1579024
J124	JUMPER - CAN/ G&M	4974023
J125	HARNESS CAN EJECTOR 5 CAN	4977050
J125	HARNESS CAN EJECTOR 4 CAN	4849028
J125E	JUMPER - CAN/ G&M	4974023
J125F	JUMPER - CAN/ G&M	4974023
J125H	JUMPER - CAN/ G&M	4974023
J126	JUMPER TEMP, CAN	4849020 / RC 4979005
J127	JUMPER PWR TO COMP	4849002
J128	JUMPER 120V	1579052 / CAN 4849025
J133	HARNESS LIGHT & FILTER	1679006
J135	HARNESS SIDE PANEL	4849015
J151	HARNESS - EXEC LONG	1679050
J153	HARNESS EVAP FAN	4982002
J170	HARNESS COFFEE	4859000
J171	HARNESS COFFEE	4859000
J173	HARNESS COFFEE	4859000
J174	HARNESS COFFEE	4859000
J175	HARNESS COFFEE	4859000
J176	HARNESS COFFEE	4859000
J177	HARNESS COFFEE	4859000
J178	HARNESS COFFEE	4859005
J181	HARNESS COFFEE	4859000
J182	INDICATOR	4852084
J183	HARNESS COFFEE	4859000
J184A	HARNESS COFFEE	4859000
J184B	HARNESS COFFEE	4859000
J186	HARNESS COFFEE	4859000
J187	HARNESS COFFEE	4859000

## Snack / Refreshment Center 2 Parts Manual

**TABLE 89. WIRE HARNESES (CONTINUED)**

CONNECTOR	DESCRIPTION	PART NUMBER
J188	HARNESS COFFEE	4859000
J189	HARNESS COFFEE	4859000
J190	HARNESS COFFEE	4859000
J192	HARNESS BREWER	4859003
J195	HARNESS PWR TO COFFEE	4859005
J196	HARNESS COFFEE MOD	4859005
J199	HARNESS COFFEE	4859000
J200	HARNESS MUG SWITCH	4751184
J201A	JUMPER BOOST TRANSFORMER	1579052
J201B	JUMPER BOOST TRANSFORMER	1579052
J228A	JUMPER JAPAN	1579048
J228B	JUMPER JAPAN	1579048
J231	HARNESS SUREVEND EMIT TO DET	1679013
J232	HARNESS SUREVEND EMIT TO DET	1679013

# Snack / Refreshment Center 2 Parts Manual



\* WIRE COLOR IS BLACK UNLESS NOTED

FOOD & CAN MODULES USE ONLY J60, J115, J116, & J117 TRAYS "A", "B", & "C"

Figure 90. Wiring Diagram (Part 1)

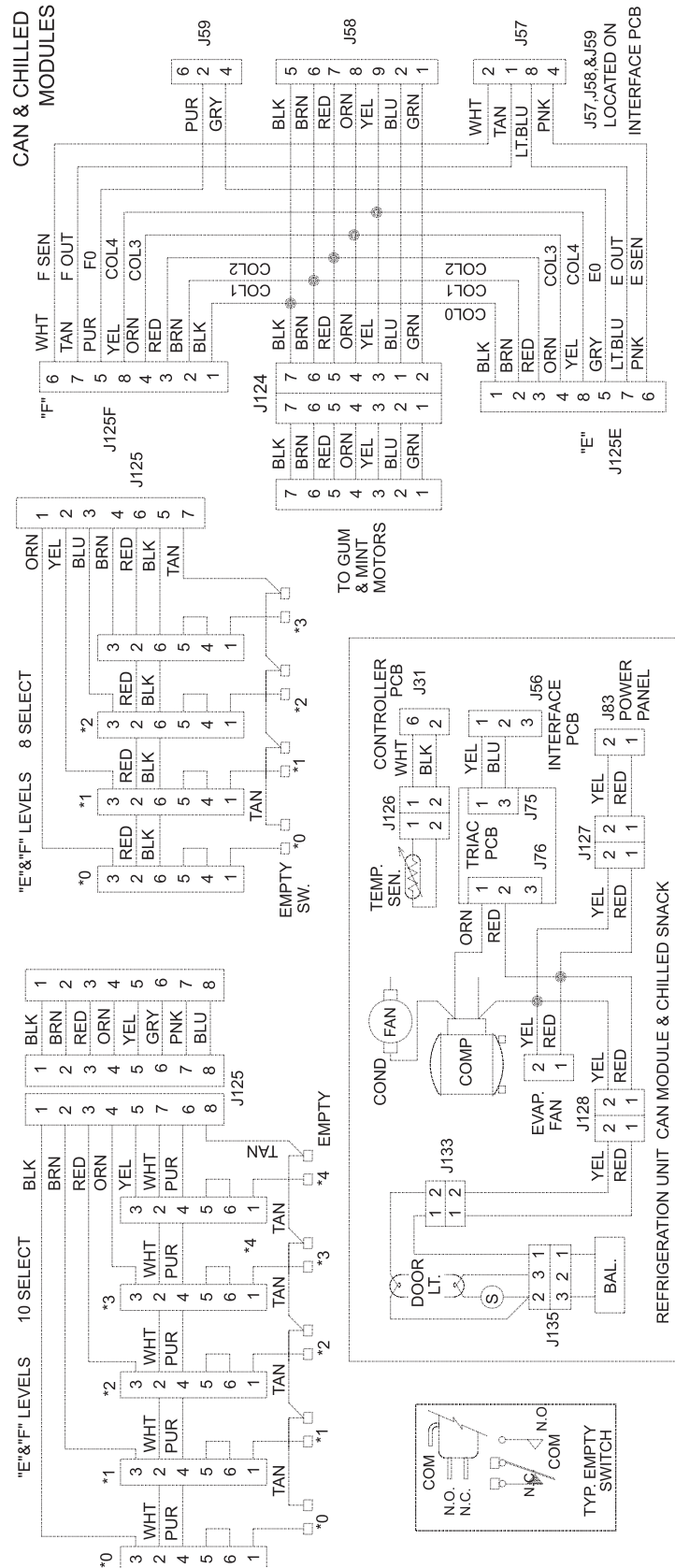
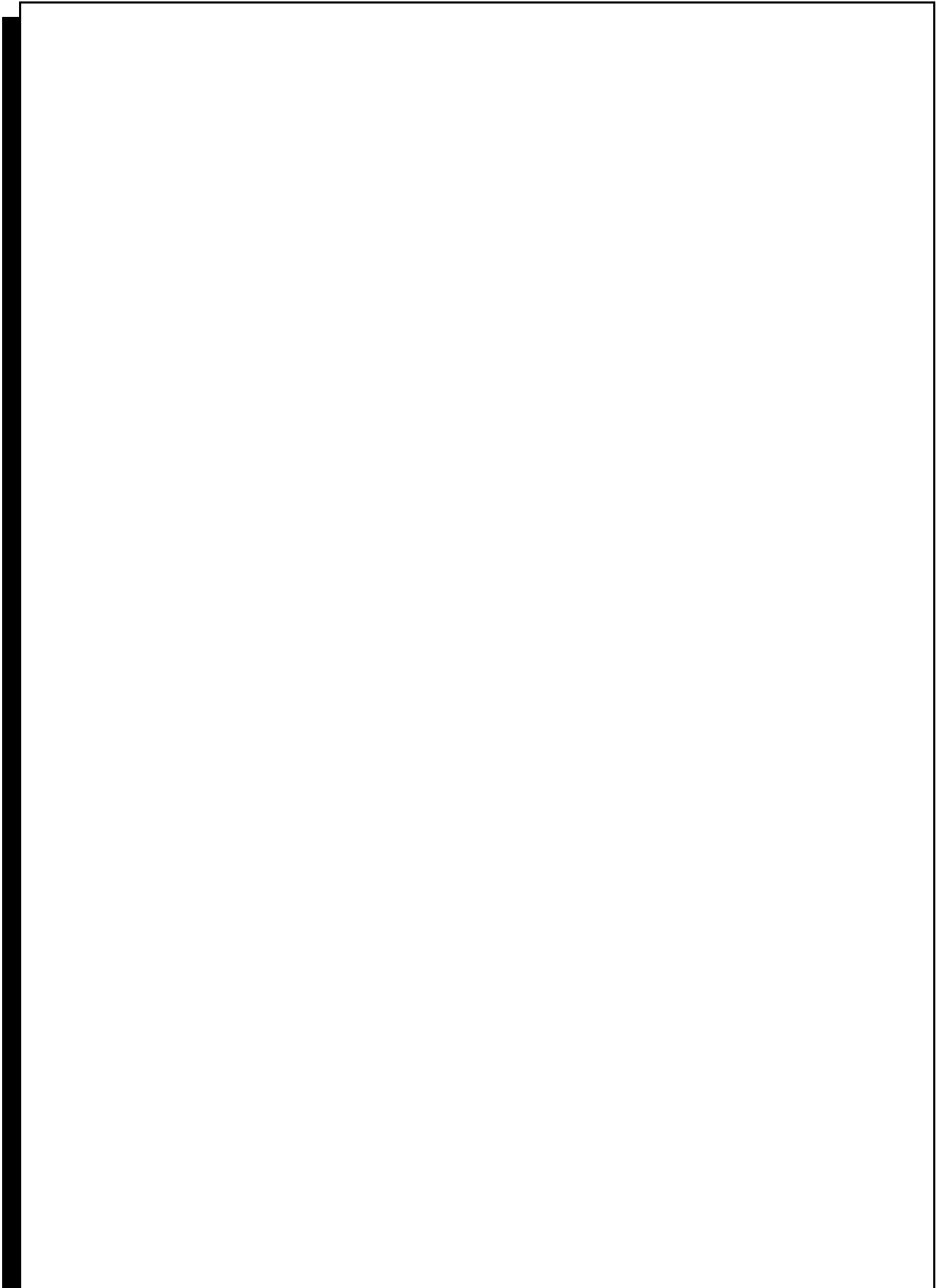


Figure 91. Wiring Diagram (Part 2)





# PART NUMBER INDEX

Part Number	Page	Part Number	Page
1122138	71	1462014	49
1127808	21, 91	1462081	51
1140351	106	1467127	39
1172021	93	1467128	39
1172115	71	1467129	39
1172190	77	1467130	39
1172191	77	1467131	39
1211112	93	1467136	39
1211141	7	1467137	39
1212148	75	1471054	3
1212159	109	1471090	3
1217159	147	1471098	93
1217160	91	1471237	3, 93
1271057	153	1471283	93
1302282	51	1471398	5
1302289	77	1472048	49, 59, 61
1302290	77	1472105	94, 95
1302291	77	1472178	49, 59
1302324	77	1472190	51
1302326	77	1472220	49, 63
1302409	51	1472222	25
1302478	51	1472223	19
1302479	51	1472250	49, 59
1302484	51	1472251	23
1306140	143, 145	1472273	45, 94, 96, 100, 102
1401110	19	1472274	45, 94, 96, 100, 102
1411194	47	1475026	21
1411195	47	1475053	28
1412046	143, 145	1475072	21
1451097	49, 51, 123, 147, 151	1475089	23
1451124	71, 73, 171	1475099	21
1452059	49	1475107	28
1452062	52	1477014	45, 103
1452116	52	1477015	45, 94, 95, 96, 98, 99
1452117	52	1477017	31, 35, 39, 43, 133
1452118	52	1477020	37
1452139	147	1477022	37
1452177	51	1477023	45
1452183	52	1477024	45
1452203	51	1477026	45
1452225	52	1477027	45
1452229	51	1477029	45
1457061	45	1477030	45
1457062	45	1477032	45
1457063	45	1477033	45
1457064	45	1477035	45
1457065	45	1477036	45
1457099	109	1477038	45
		1477039	45

# Snack / Refreshment Center 2 Parts Manual

Part Number	Page	Part Number	Page
1477041	45	1479083	81
1477042	45	1479084	81
1477044	45	1479089	83
1477045	45	1479092	83
1477047	45	1479095	83
1477048	45	1479097	83
1477050	45	1479098	83
1477051	45	1479099	83
1477053	45	1479101	81
1477054	45	1479103	81
1477056	45	1479104	81
1477057	45	1479105	81
1477071	94, 95, 96, 97, 98, 100, 102	1479106	83
1477073	45, 139	1479117	83
1477083	94, 95, 96, 97, 98, 99, 100, 101, 102, 103	1479119	81
1477097	31, 35, 39, 43	1479120	83, 127
1477098	45	1479125	81
1477099	45	1479136	83
1477100	45	1479139	83
1477101	45	1479140	49, 59
1477102	45	1482003	51
1477103	45	1482106	52
1477104	45	1482110	51
1477105	45	1482111	51
1477106	45	1482112	51
1477107	45	1482114	52
1477113	33, 37, 41, 45, 139	1482116	52
1477114	41	1482123	52
1477123	45, 95, 97, 101, 103	1482124	57
1477134	31, 35, 39, 43	1482127	51
1477141	31, 39	1482139	57
1477148	31, 35, 39, 43	1482143	57
1477149	45	1482144	52
1477150	45	1482146	57
1477152	45	1482147	52
1477153	45	1482169	57
1477155	45	1482174	57
1477156	41	1482177	57
1477157	31, 35, 39, 43	1482178	52
1477175	31, 35, 39, 43	1482189	57
1477178	45	1482196	55
1477179	45	1482197	57
1479052	81	1482198	55
1479053	83	1482199	57
1479064	83	1482204	57
1479075	83	1482209	55
1479076	83	1482210	55
1479077	83	1482214	55
1479078	83	1482221	57
1479079	83	1482222	55
1479080	83	1482223	55
1479081	81	1482225	55
1479082	81	1482226	55

# Snack / Refreshment Center 2 Parts Manual

Part Number	Page	Part Number	Page
1482227	55	1571200	3
1482229	52	1571201	3
1482231	52	1571229	3
1482232	55	1572007	49, 59
1482233	57	1572009	49, 59
1482240	52	1572010	69
1482241	57	1572011	51, 69
1482242	55	1572013	19
1482245	52	1572014	21
1482246	57	1572015	21
1482247	55	1572016	71
1482248	52	1572020	49, 59, 61
1482249	57	1572023	73, 75
1482250	55	1572027	49, 59
1487009	31, 35, 39, 43	1572028	49, 59
1487016	31, 35, 39, 43	1572029	87
1489005	85	1572039	71
1489008	83	1572044	71
1570010	96	1572045	71
1570011	96	1572046	71
1570012	96	1572047	71
1570013	96	1572053	87
1570014	96	1572054	53
1570063	94	1572100	56
1570064	94	1572101	53
1570067	95	1572102	54
1570071	94, 95, 96, 97	1572104	54
1570084	94, 95	1572105	56
1570086	94, 95	1572106	53
1571022	3	1572107	54
1571029	3	1572108	56
1571035	11	1572109	53
1571037	49, 59	1572110	54
1571040	11	1572114	56
1571059	5	1572115	53
1571074	3	1572116	54
1571079	21	1572117	56
1571090	3	1572118	53
1571102	3	1572119	54
1571115	93	1572120	53
1571123	3	1572121	53
1571127	93	1572122	56
1571161	47	1572123	53
1571175	5	1572124	54
1571179	3	1572125	56
1571180	5	1572126	53
1571181	5	1572127	54
1571185	3	1572128	52
1571186	5	1572129	56
1571187	3	1572130	53
1571188	3	1572131	54
1571189	5	1572138	56
1571190	3	1572139	53

# Snack / Refreshment Center 2 Parts Manual

Part Number	Page	Part Number	Page
1572140	56	1572244	71
1572141	53	1572247	63
1572142	54	1572258	65
1572143	56	1572259	65
1572144	53	1572260	65
1572145	54	1572264	91
1572148	56	1572265	89
1572149	53	1572266	91
1572150	54	1572267	65
1572151	56	1572268	89
1572152	53	1572280	87
1572153	54	1572289	87
1572154	56	1572300	87
1572155	53	1572301	87
1572156	56	1572315	87
1572157	53	1572321	87
1572158	54	1572322	87
1572159	56	1572323	25
1572160	53	1572324	65
1572161	54	1572327	67
1572162	56	1572353	87
1572163	53	1572354	87
1572164	54	1572376	63
1572168	53	1572388	87
1572171	53	1572391	87
1572172	56	1572395	79
1572193	53	1572396	79
1572194	56	1572397	79
1572195	53	1572398	79
1572196	59	1572409	87
1572199	79	1572410	87
1572203	79	1572415	87
1572204	79	1572416	87
1572205	94, 96, 100, 102	1572417	87
1572206	94, 96, 100, 102	1572418	87
1572209	25	1572420	87
1572210	25	1572421	87
1572213	25, 65	1572423	87
1572214	65	1572424	87
1572215	65	1572425	87
1572216	65	1572447	87
1572217	65	1572448	87
1572218	67	1572449	87
1572219	63, 67	1575001	23
1572220	67	1575003	21
1572225	49, 59	1575010	23
1572228	59, 67	1575013	21
1572229	87	1575020	21
1572230	87	1575037	21
1572233	63	1575038	21
1572235	63	1575043	23
1572236	67	1575047	51
1572243	61	1575048	21, 27

# Snack / Refreshment Center 2 Parts Manual

Part Number	Page	Part Number	Page
1575049 .....	21	1581056 .....	5
1575050 .....	28	1581057 .....	3
1575052 .....	28	1581058 .....	3
1575091 .....	23	1581060 .....	3
1575094 .....	19	1581067 .....	3
1575098 .....	19, 23	1581068 .....	3
1575099 .....	19, 23	1581069 .....	3
1576008 .....	7	1582006 .....	52
1577000 .....	81	1582007 .....	57
1577009 .....	94, 95, 96, 98, 99	1582008 .....	55
1577010 .....	94, 95, 98, 99	1582015 .....	52
1577011 .....	94, 95, 98, 99	1582025 .....	71
1577012 .....	94, 95, 98, 99	1582026 .....	57
1577013 .....	94, 95, 98, 99	1582069 .....	49, 59
1577014 .....	94, 95, 98, 99	1582073 .....	49
1577016 .....	97, 101, 103	1582079 .....	59, 61, 67
1577017 .....	97, 101, 103	1582080 .....	87
1577018 .....	97, 101, 103	1582084 .....	63
1577019 .....	97, 101, 103	1582085 .....	71
1577020 .....	97, 101, 103	1582086 .....	67
1577021 .....	97, 101, 103	1582093 .....	63, 67
1577022 .....	97	1582095 .....	63
1577023 .....	94, 96, 100, 102	1582115 .....	67
1577024 .....	94, 96, 100, 102	1582116 .....	67
1577025 .....	94, 96, 100, 102	1582126 .....	87
1577026 .....	94, 96, 100, 102	1582127 .....	87
1577027 .....	94, 96, 100, 102	1582134 .....	87
1577028 .....	94, 96, 100, 102	1582141 .....	63
1577029 .....	94, 96	1582146 .....	87
1577035 .....	33, 37, 41, 45, 109	1582148 .....	87
1577040 .....	31, 35, 39, 43	1582200 .....	67
1579002 .....	157	1582201 .....	63, 67
1579003 .....	157	1582202 .....	67
1579005 .....	28, 158	1582219 .....	87
1579006 .....	28, 158	1582225 .....	87
1579008 .....	156	1582231 .....	87
1579009 .....	156	1582232 .....	87
1579010 .....	161	1582233 .....	87
1579012 .....	83	1586015 .....	7
1579013 .....	11, 173	1587000 .....	81
1579017 .....	11	1587003 .....	31, 35, 39, 43
1579021 .....	159	1587005 .....	39
1579022 .....	159	1587006 .....	43
1579024 .....	156	1587036 .....	43
1579028 .....	28, 158	1596012 .....	5
1579032 .....	28, 160	1597001 .....	35
1579034 .....	28	1597002 .....	31
1579050 .....	28	1597003 .....	39
1581023 .....	47	1599016 .....	37
1581028 .....	105, 121, 149	1599017 .....	37
1581039 .....	3	1599018 .....	33, 41, 45
1581051 .....	47	1599019 .....	33, 41, 45
1581055 .....	3	1602026 .....	63

# Snack / Refreshment Center 2 Parts Manual

Part Number	Page	Part Number	Page
1607001	35	4043121	106, 124
1607002	31	4047012	123, 151
1607003	39	4119013	106, 107, 123, 129, 151
1642001	19	4242145	49
1677001	39	4245082	69
1677171	83	4245083	69
1701025	13, 15	4245084	69
1702003	71	4246307	83
1702004	71	4252030	91
1709000	13, 15, 173	4279001	15
1709001	13, 15, 173	4301152	106, 107, 124, 125
1709002	173	4302284	52
1709006	13, 15, 173	4302290	52
1709015	71, 159	4302316	91
2146059	75	4302319	91
2202109	143, 145	4302373	52
2204513	106	4304057	107, 125
2222031	31, 35, 39, 43	4304058	107, 125
2222095	71	4304192	106, 124
2222110	51	4304211	107, 125
2228011	147	4304214	107, 125
2271408	47	4304216	107, 125
2272052	77	4401000	131
2302053	25, 69	4401016	73
2302218	71	4402008	133
2304109	147	4402010	129, 170
2306488	147	4402022	91
2342315	109, 129, 135	4402023	91
2366055	99, 135	4402027	89
2366091	109	4402034	133
2366135	7	4402036	137
2570006	95	4402037	129
3103029	137	4402038	129, 133, 135, 137
3104138	133	4402039	135
3107171	71	4402041	133
3108221	133	4402043	133, 137
3112163	77	4402046	133
3112164	77	4402047	91
3122056	83	4402212	135
3127034	123, 147, 151	4402213	135
3128063	106, 107, 124, 125	4404003	124
3151058	71	4404006	124
3152391	28	4404013	121, 149
3152444	28	4404015	124
3152447	52	4404016	124
3152573	52	4407002	123, 151
3502097	33, 37, 41, 123, 151	4407009	123, 129, 151, 172, 173
3502907	45	4407014	129
3608146	106, 124	4407016	129
3608149	106, 124	4407017	129
3634002	107, 125	4407019	133
4042556	75	4407021	129
4043082	106	4407024	131

# Snack / Refreshment Center 2 Parts Manual

Part Number	Page	Part Number	Page
4407025	131, 133	4407618	137
4407026	123	4407619	137
4407052	123, 143, 151	4407622	137
4407053	143	4407628	137
4407055	143, 145	4407629	137
4407058	143, 145	4407630	137
4407059	143	4407632	137
4407062	143	4407633	137
4407066	143, 145	4407634	137
4407067	143, 145	4407700	133, 135
4407069	123, 145, 151	4407707	135
4407070	145	4407708	135
4407074	145	4407710	135
4407077	123, 147, 151	4407711	135
4407079	123, 147, 151	4407712	135
4407080	147	4407713	135
4407084	147	4407714	135
4407086	123, 151	4407716	135
4407087	123, 151	4407717	135
4407088	123, 151	4407722	135
4407093	147	4407728	99, 102, 135
4407101	127	4407729	99, 135
4407102	127	4407730	99, 135
4407103	127	4407731	99, 135
4407106	127	4407732	99
4407107	127	4407733	99
4407114	133	4407734	135
4407115	123, 141, 151	4407735	135
4407120	141, 153	4407736	135
4407131	147	4407737	135
4407132	141, 153	4407738	135
4407133	143	4407739	135
4407134	145	4407740	135
4407139	145	4407741	135
4407146	131	4407742	135
4407156	129	4407800	133
4407157	147	4407803	139
4407158	127	4407808	139
4407160	141, 153	4407815	139
4407501	133, 172	4407816	139
4407502	133, 135	4407817	139
4407503	133	4407818	139
4407504	133	4407819	139
4407514	133	4407820	139
4407516	133	4407821	139
4407600	133, 137	4407822	139
4407604	137	4407823	139
4407607	137	4407824	139
4407611	137	4407825	139
4407612	137	4407826	139
4407615	137	4407827	139
4407616	137	4407828	139
4407617	137	4407829	139

## Snack / Refreshment Center 2 Parts Manual

Part Number	Page	Part Number	Page
4407830 .....	139	4681020 .....	105, 121, 149
4407832 .....	139	4721035 .....	123, 151
4407833 .....	139	4724066 .....	106, 124
4407834 .....	139	4724070 .....	106
4407835 .....	139	4724124 .....	106, 124
4407837 .....	139	4727144 .....	121, 123, 149, 151
4407838 .....	139	4727145 .....	111
4407839 .....	139	4741022 .....	115, 117
4407840 .....	139	4741223 .....	123, 151
4407842 .....	139	4742004 .....	52
4407843 .....	139	4742005 .....	55
4407844 .....	139	4742006 .....	57
4407845 .....	133	4744002 .....	106, 124
4521020 .....	7, 15	4744009 .....	106, 107, 124, 125
4521021 .....	3	4744017 .....	106, 121, 124, 149
4521041 .....	7	4744020 .....	106, 124
4522020 .....	7, 13	4744022 .....	106, 124
4611007 .....	9	4744023 .....	105
4612001 .....	96, 99, 100, 102, 123, 151	4744024 .....	105
4614107 .....	106	4744027 .....	105, 121, 149
4621003 .....	9	4744028 .....	105
4640022 .....	97	4744030 .....	106
4640024 .....	96	4744031 .....	107, 125
4640026 .....	96	4744042 .....	105, 121, 149
4640035 .....	96, 97	4744045 .....	106, 124
4640037 .....	96	4744069 .....	107
4641009 .....	9	4744101 .....	107, 125
4641025 .....	9	4744106 .....	124
4641031 .....	9	4744108 .....	106, 124
4641032 .....	9	4744109 .....	106, 124
4641033 .....	9	4744112 .....	106, 124
4641043 .....	9	4744555 .....	135, 137, 139
4641054 .....	9	4744564 .....	124
4641055 .....	9	4747001 .....	115
4641056 .....	9	4747003 .....	111, 113
4641058 .....	9	4747009 .....	111, 113
4641059 .....	9	4747014 .....	111, 113
4641064 .....	9	4747029 .....	109
4641066 .....	9	4747030 .....	109
4641068 .....	9	4747031 .....	109
4641074 .....	107, 125	4747034 .....	109
4641076 .....	9	4747035 .....	109
4641077 .....	9	4747036 .....	109
4641078 .....	9	4747038 .....	109
4641079 .....	9	4747042 .....	115, 117
4641080 .....	9	4747044 .....	115, 117
4641081 .....	9	4747062 .....	123, 151
4644008 .....	106, 107	4747064 .....	111, 113
4644029 .....	107, 125	4747065 .....	111
4644034 .....	9	4747072 .....	101
4651011 .....	9	4747073 .....	101
4651012 .....	9	4747074 .....	101
4651021 .....	9	4747075 .....	101



# Snack / Refreshment Center 2 Parts Manual

Part Number	Page	Part Number	Page
4747076	101	4844032	133
4747077	101	4844035	133
4747078	101	4847001	105
4747079	101	4847002	109, 115
4747080	101	4847003	147
4747081	101	4847005	121, 149
4747089	115, 117	4847017	147, 151
4747091	98, 100, 101	4847018	121, 149
4747097	98, 100, 101	4847029	105, 117
4747110	115, 117	4847035	117
4747111	111	4847036	109
4747121	111, 113	4847042	117
4747122	111, 113	4849002	162
4747127	111, 113	4849003	169
4747133	111, 113	4849004	161
4747134	111	4849008	75, 166
4747135	111, 113	4849014	166
4747606	109	4849016	170
4747704	153	4849020	169
4747710	151	4849022	167
4747716	123, 127, 151	4849023	171
4747718	153	4849025	105, 106, 168
4747725	123, 151	4849027	162
4757500	133	4849028	109, 169
4774002	107, 125	4849029	109
4774003	107, 125	4851085	73
4774004	107, 125	4852049	75
4774007	107, 125	4859012	173
4774008	107, 125	4870036	100
4774013	106	4870037	102
4774026	107, 125	4870040	100, 101, 102, 103
4774027	107, 125	4870044	101
4774045	107, 125	4870045	103
4774046	107, 125	4870047	100, 101
4774105	107, 125	4870048	102, 103
4774122	107, 125	4871009	3
4777801	103	4871010	5
4777803	103	4871011	3
4840040	98, 99	4872006	59
4840047	99	4872007	65
4840048	98	4872008	65
4840054	98	4872011	67
4840055	99	4872012	67
4841012	7, 11	4872013	65
4842004	75	4872015	59
4842015	75	4872018	65
4844001	107, 125	4872019	65
4844002	106, 124	4874002	107, 125
4844005	105, 106	4874043	107, 125
4844007	121, 124, 149	4874049	105, 107
4844019	124, 125	4874050	121, 125, 149
4844026	106, 124	4875001	19
4844027	123, 151	4877000	105, 115

# Snack / Refreshment Center 2 Parts Manual

Part Number	Page	Part Number	Page
4877005	153	6231203	93
4911004	9	6231242	3
4911005	9	6231548	5
4972043	49	6232028	49, 59
4972107	49, 59, 61, 73	6232031	49, 59
4974023	168	6232092	49
4975011	143, 145	6232099	51
4979007	165	6232224	52
4979008	163	6232309	52
4979009	73, 164	6332010	71, 73
4979010	173	6335002	21
4981001	9	6339000	170
4987002	173	6339017	158
5201086	147	6342038	51
5201267	31, 35, 39, 43, 133	6400002	29
5202012	143, 145	6401088	5
5220113	141, 153	6849015	15
5220463	135	9900023	147
5307321	29	9900030	31, 35, 39, 43
5500026	123, 151	9900072	143, 145
5560113	31, 35, 39, 43	9900081	11, 51, 91
5900094	29	9900090	91
5900096	29	9900098	47, 91, 123, 147, 151
5900112	29	9900218	93
5900116	29	9900418	91
5900182	28	9900425	83, 123, 141, 143, 145, 151, 153
5900192	29	9900431	123, 127, 151
5900193	28	9984094	15
5900198	28	9984165	11, 13
5900205	28	9984629	11, 15
5900209	29	9984630	23
5900210	28	9988902	107, 125
5900213	29	9989042	11
5900214	29	9989046	13, 15
5900216	29	9989100	11, 13, 15
5900217	29	9989110	3, 15
5900221	28	9989336	11
5900222	29	9989576	159
5900233	28	9989577	159
5900234	28	9989637	160
5900237	29	9989639	19
5900247	28	9989659	11
5900248	28	9989672	11, 15
6000003	29	9989674	15
6104218	79	9989685	21
6104219	137	9989687	7
6104424	129	9989706	160
6104429	135	9989712	173
6107240	131, 133	9989718	28, 160
6133152	81	9989750	156
6152188	71	9989751	7
6231087	47	9992400	77
6231163	3, 93		

# Snack / Refreshment Center 2 Parts Manual

<b>Part Number</b>	<b>Page</b>	<b>Part Number</b>	<b>Page</b>
<b>B</b>			
B1570003 .....	95	B4640004 .....	96
B1570006 .....	94	B4840006 .....	99
B1570007 .....	94	B4840007 .....	98
B2570002 .....	95	B4870000 .....	100
B4640000 .....	97	B4870001 .....	102
B4640002 .....	96	B4870007 .....	101
		B4870008 .....	103

